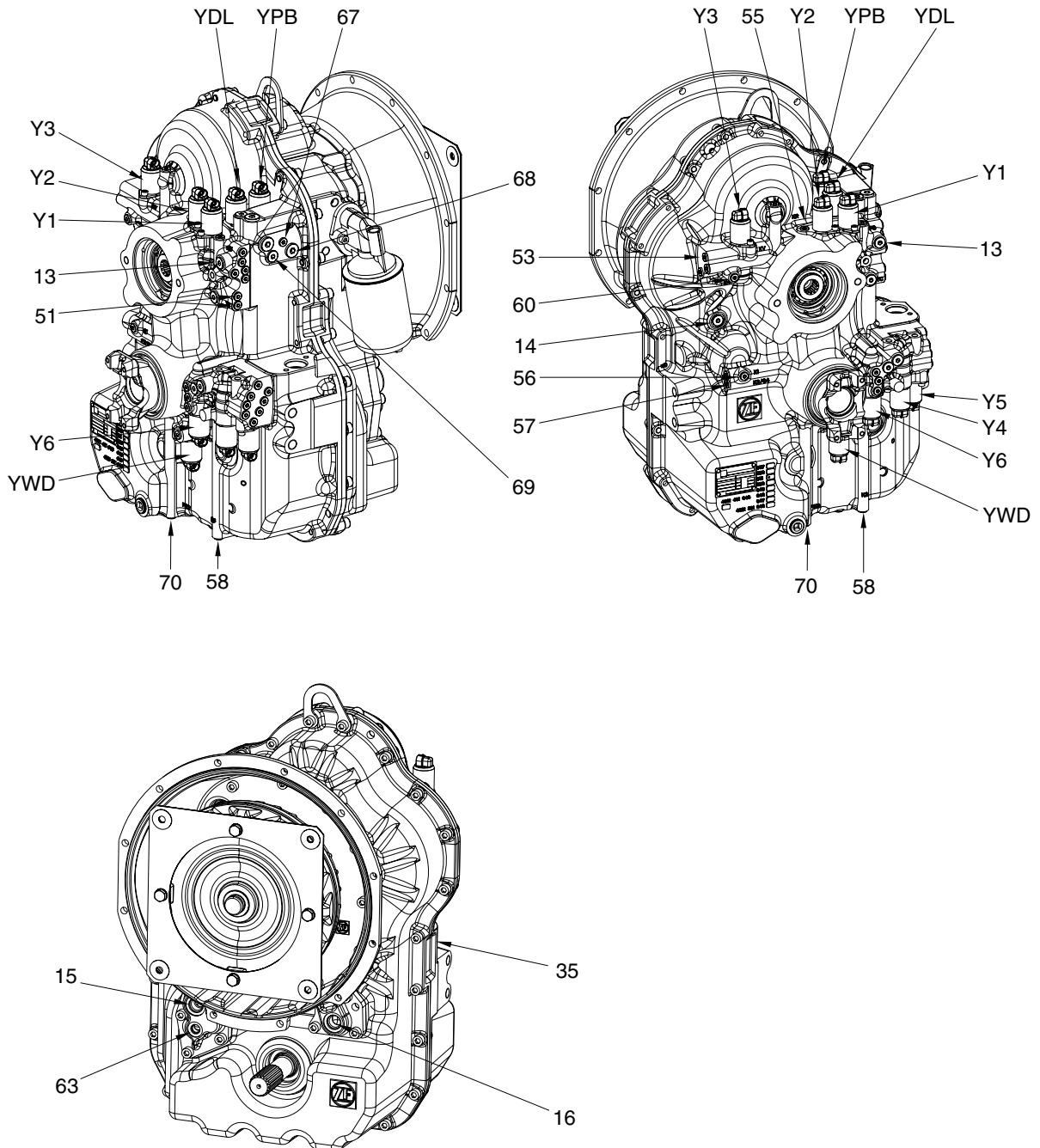


GROUP 3 TESTS AND ADJUSTMENTS

1. TRANSMISSION MEASURING POINTS AND CONNECTIONS

The measurements have to be carried out at hot transmission (about 80-95°C).



HB100PT11

1) OIL PRESSURE AND TEMPERATURE

Port	Description	Size
51	Before the converter - opening pressure 11+2 bar	M10×1
53	Forward clutch 18+3 bar KV	M10×1
55	Reverse clutch 18+3 bar KR	M10×1
56	Clutch 18+3 bar K1	M10×1
57	Clutch 18+3 bar K2	M10×1
58	Clutch 18+3 bar K3	M10×1
60	Clutch 18+3 bar K4	M10×1
63	Temperature after the converter 100°C ; short term 120°C	M14×1.5
67	System pressure 18+3 bar	M10×1
68	Parking brake 18+3 bar YPB	3/4"-18UNF
69	Differential lock 18+3 bar YDL	9/16"-18UNF
70	Front wheel drives 18+3 bar YWD	M10×1

2) CONNECTIONS

Port	Description	Size
13	Connection to parking brake (rear axle)	9/16"-18UNF
14	Connection return flow into the transmission pump	9/16"-18UNF
15	Connection to oil cooler	7/8"-14UNF
16	Connection from oil cooler	7/8"-14UNF

3) INDUCTIVE SENSOR

Port	Description	Size
35	Inductive sensor n speedometer (option)	M18×1.5

4) VALVES

Port	Description
Y1~Y6	Control valves
YWD	Front wheel drive
YDL	Differential lock (rear axle)
YPB	Parking brake (rear axle)