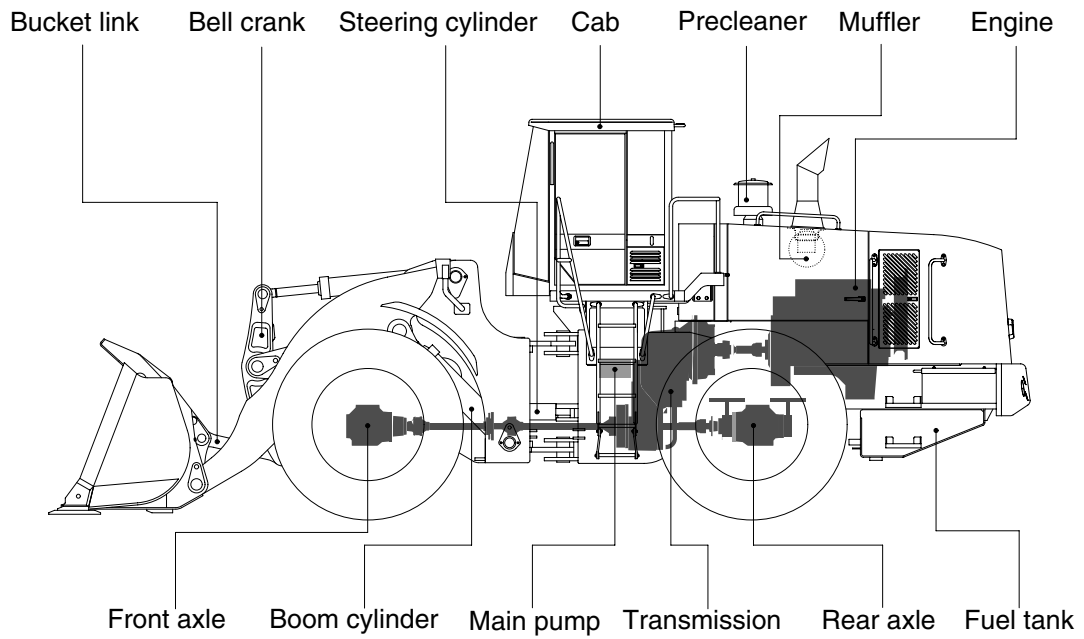
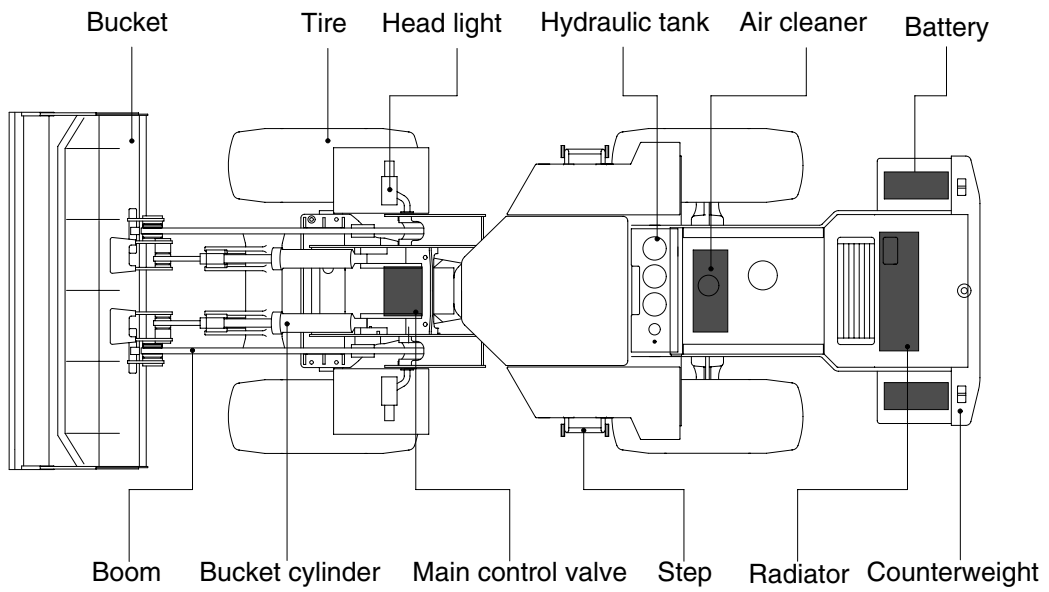


## 2. SPECIFICATIONS

### 1. MAJOR COMPONENTS



7807ASE01