

## 10. STORAGE

Maintain the machine taking care of following to prevent the deterioration of machine when storing the machine for a long time, over 1 month.

### 1) CLEANING THE MACHINE

Clean the machine.

Grease each lubrication part.

### 2) LUBRICATION POSITION OF EACH PART

Change all oil.

**Be particularly careful when you reuse the machine.**

**As oil can be diluted during storage.**

**Apply an anticorrosive lubricant on the exposed part of piston rod of cylinder and in places where the machine rusts easily.**

### 3) BATTERY

Remove (-) terminal of battery or remove the battery.

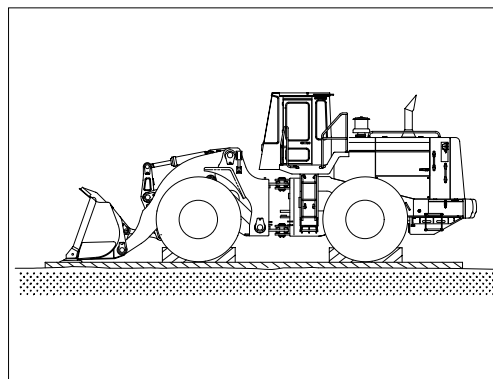
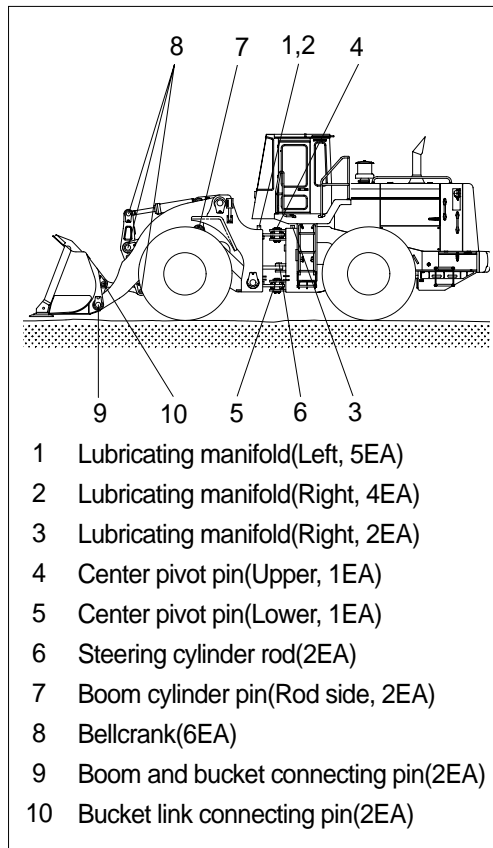
4) Be sure to mix anticorrosive antifreezing solution in the radiator.

### 5) PREVENTION OF DUST AND MOISTURE

Keep machine dry. Store the machine setting wood on the ground.

**Cover exposed part of piston rod of cylinder.**

**Lower the bucket to the ground and set a support under tires.**



## 6) DURING STORAGE

Start engine and move the machine and working equipment once a month and apply lubrication to each part.

**Check the level of engine oil and coolant and fill if required when starting engine.**

**Clean the anticorrosive on the piston rod of cylinder.**

**Operate the machine such as traveling, turning, and work equipment operation to make sure enough lubrication of all functional components.**

