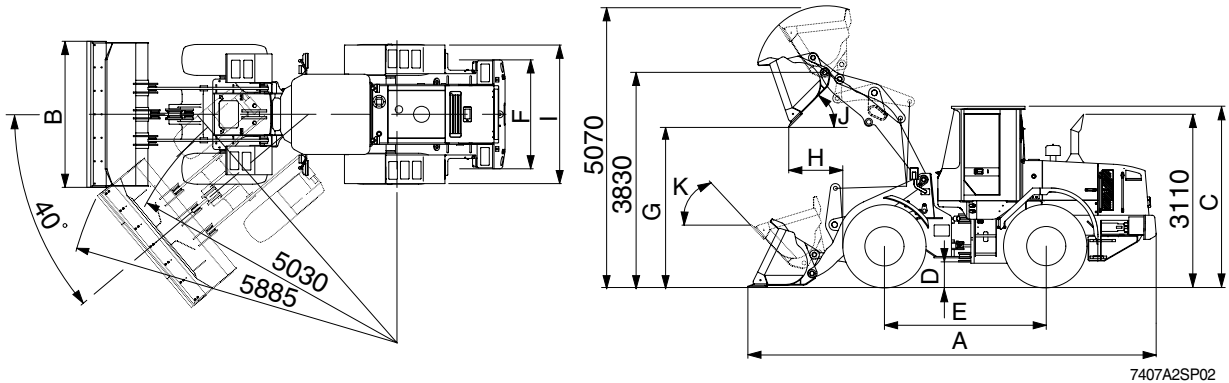


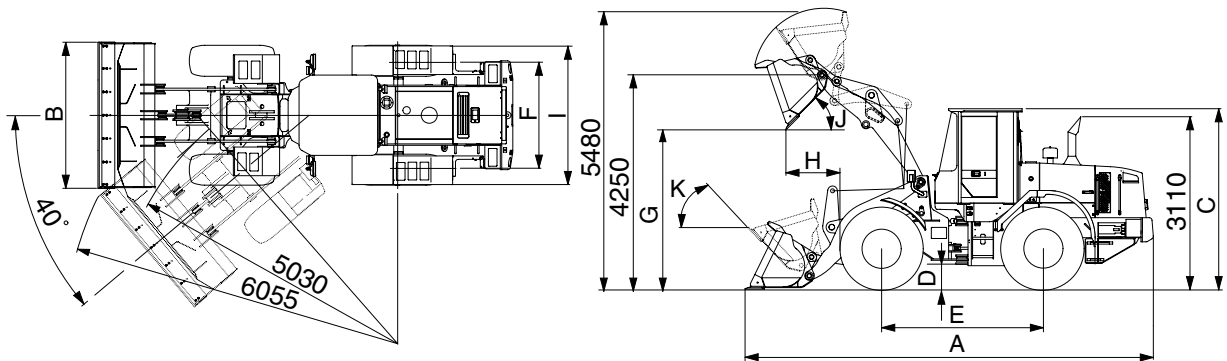
## 2. SPECIFICATIONS

### 1) WITH BOLT-ON CUTTING EDGE TYPE BUCKET(HL740-7A)



Description		Unit	Specification	
Operating weight		kg(lb)	11550(25460)	
Bucket capacity	Struck	m <sup>3</sup> (yd <sup>3</sup> )	1.78(2.3)	
	Heaped		2.1(2.7)	
Overall length	A	mm(ft-in)	7270(23' 7")	
Overall width	B		2550( 8' 4")	
Overall height	C		3260(10' 8")	
Ground clearance	D		417( 1' 4")	
Wheelbase	E		2900( 9' 6")	
Tread	F		1900( 6' 3")	
Dump clearance at 45°	G		2850( 9' 4")	
Dump reach(Full lift)	H		970( 3' 2")	
Width over tires	I		2430( 8' 0")	
Dump angle	J		Degree (°)	48
Roll back angle(Carry position)	K			47
Cycle time	Lift(With load)	sec	5.5	
	Dump(With load)		1.2	
	Lower(Empty)		2.8	
Maximum travel speed		km/hr(mph)	36.3(22.7)	
Braking distance		m(ft-in)	12(39' 4")	
Minimum turning radius(Center of outside tire)			5.03(16' 6")	
Gradability		Degree (°)	30	
Travel speed	Forward	First gear	6.4(4.0)	
		Second gear	11.7(7.3)	
		Third gear	22.3(13.9)	
	Reverse	Fourth gear	36.3(22.7)	
		First gear	6.8(4.2)	
		Second gear	12.4(7.7)	
		Third gear	23.4(14.6)	

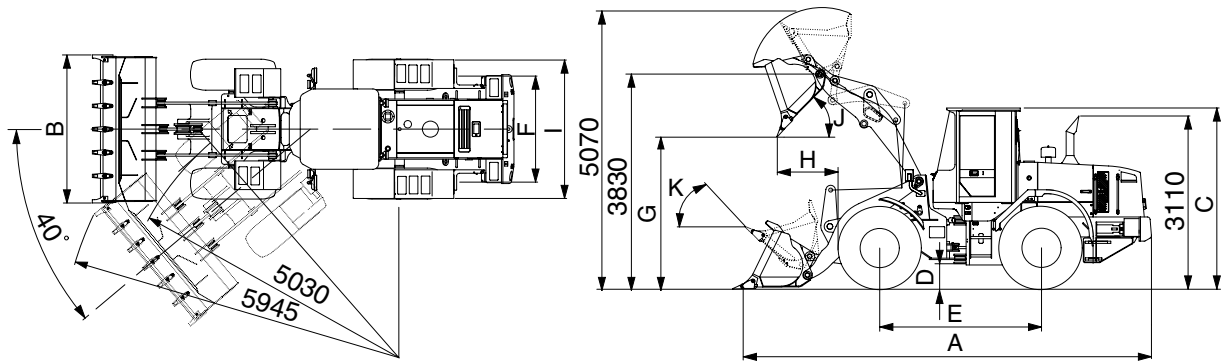
**WITH BOLT-ON CUTTING EDGE TYPE BUCKET(HL740XTD-7A)**



7407A2SP03

Description		Unit	Specification	
Operating weight		kg(lb)	11850(26120)	
Bucket capacity	Struck	m <sup>3</sup> (yd <sup>3</sup> )	1.78(2.3)	
	Heaped		2.1(2.7)	
Overall length	A	mm(ft-in)	7750(25' 5")	
Overall width	B		2550( 8' 4")	
Overall height	C		3260(10' 8")	
Ground clearance	D		417( 1' 4")	
Wheelbase	E		2900( 9' 6")	
Tread	F		1900( 6' 3")	
Dump clearance at 45°	G		3270( 10' 9")	
Dump reach(Full lift)	H		965( 3' 2")	
Width over tires	I		2430( 8' 0")	
Dump angle	J		Degree (°)	47
Roll back angle(Carry position)	K			49
Cycle time	Lift(With load)	sec	5.5	
	Dump(With load)		1.3	
	Lower(Empty)		2.8	
Maximum travel speed		km/hr(mph)	36.3(22.7)	
Braking distance		m(ft-in)	12(39' 4")	
Minimum turning radius(Center of outside tire)			5.03(16' 6")	
Gradability		Degree (°)	30	
Travel speed	Forward	km/hr(mph)	First gear	6.4(4.0)
			Second gear	11.7(7.3)
			Third gear	22.3(13.9)
			Fourth gear	36.3(22.7)
	Reverse		First gear	6.8(4.2)
			Second gear	12.4(7.7)
Third gear		23.4(14.6)		

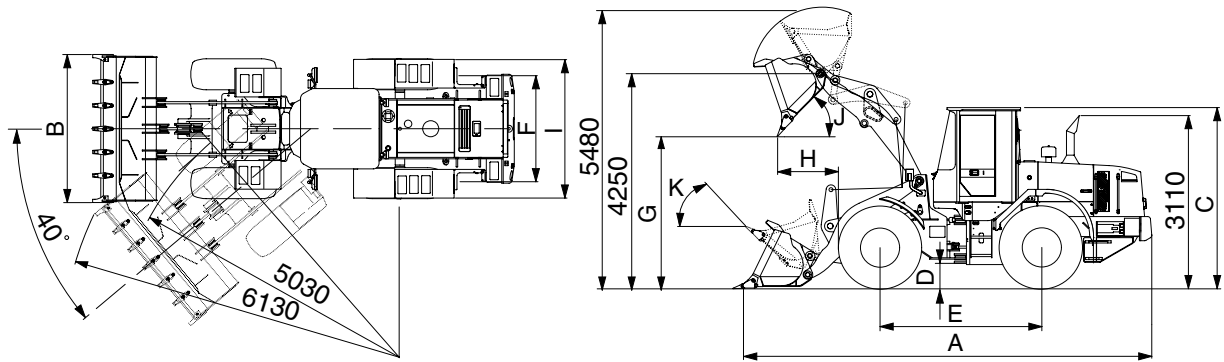
## 2) WITH TOOTH TYPE BUCKET(HL740-7A)



7407A2SP04

Description		Unit	Specification	
Operating weight		kg(lb)	11550(25460)	
Bucket capacity	Struck	m <sup>3</sup> (yd <sup>3</sup> )	1.7(2.2)	
	Heaped		2.0(2.6)	
Overall length	A	mm(ft-in)	7370(24' 2")	
Overall width	B		2600( 8' 6")	
Overall height	C		3260(10' 8")	
Ground clearance	D		417( 1' 4")	
Wheelbase	E		2900( 9' 6")	
Tread	F		1900( 6' 3")	
Dump clearance at 45°	G		2770( 9'11")	
Dump reach(Full lift)	H		1035( 3' 5")	
Width over tires	I		2430( 8' 0")	
Dump angle	J		Degree (°)	48
Roll back angle(Carry position)	K			47
Cycle time	Lift(With load)		sec	5.5
	Dump(With load)	1.2		
	Lower(Empty)	2.8		
Maximum travel speed		km/hr(mph)	36.3(22.7)	
Braking distance		m(ft-in)	12(39' 4")	
Minimum turning radius(Center of outside tire)			5.03(16' 6")	
Gradability		Degree (°)	30	
Travel speed	Forward	First gear	6.4(4.0)	
		Second gear	11.7(7.3)	
		Third gear	22.3(13.9)	
		Fourth gear	36.3(22.7)	
	Reverse	First gear	6.8(4.2)	
		Second gear	12.4(7.7)	
Third gear		23.4(14.6)		

**WITH TOOTH TYPE BUCKET(HL740XTD-7A)**



7407A2SP05

Description		Unit	Specification	
Operating weight		kg(lb)	11850(26120)	
Bucket capacity	Struck	m <sup>3</sup> (yd <sup>3</sup> )	1.7(2.2)	
	Heaped		2.0(2.6)	
Overall length	A	mm(ft-in)	7890(25' 11")	
Overall width	B		2600( 8' 6")	
Overall height	C		3260(10' 8")	
Ground clearance	D		417( 1' 4")	
Wheelbase	E		2900( 9' 6")	
Tread	F		1900( 6' 3")	
Dump clearance at 45°	G		3170( 10' 5")	
Dump reach(Full lift)	H		1045( 3' 5")	
Width over tires	I		2430( 8' 0")	
Dump angle	J		Degree (°)	47
Roll back angle(Carry position)	K			49
Cycle time	Lift(With load)	sec	5.5	
	Dump(With load)		1.3	
	Lower(Empty)		2.8	
Maximum travel speed		km/hr(mph)	36.3(22.7)	
Braking distance		m(ft-in)	12(39' 4")	
Minimum turning radius(Center of outside tire)			5.03(16' 6")	
Gradability		Degree (°)	30	
Travel speed	Forward	km/hr(mph)	First gear	6.4(4.0)
			Second gear	11.7(7.3)
			Third gear	22.3(13.9)
			Fourth gear	36.3(22.7)
	Reverse		First gear	6.8(4.2)
			Second gear	12.4(7.7)
Third gear		23.4(14.6)		