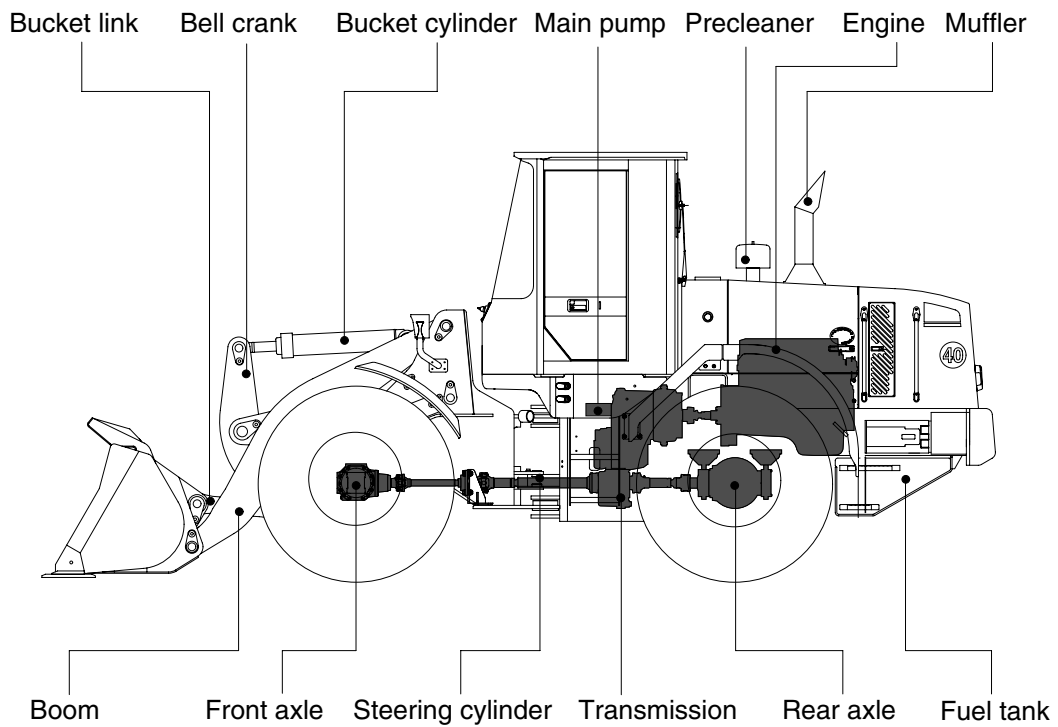
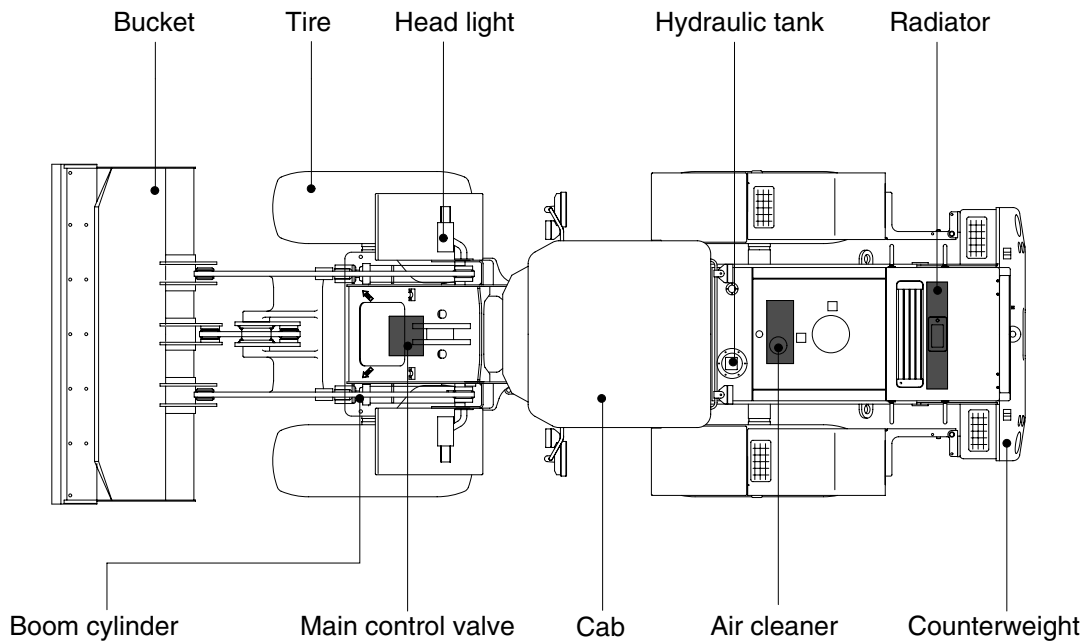


## 2. SPECIFICATIONS

### 1. MAJOR COMPONENTS



7407A2SP01