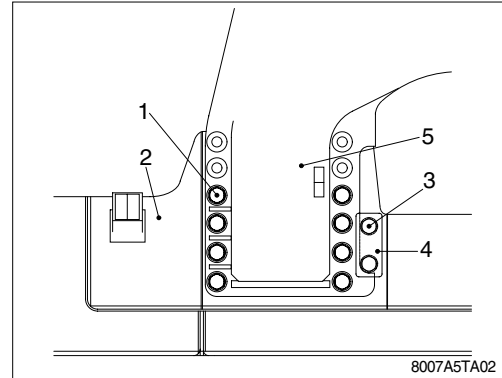


6. ADJUSTABLE TRACK GAUGE

1) LOWER TRACK RETRACTION

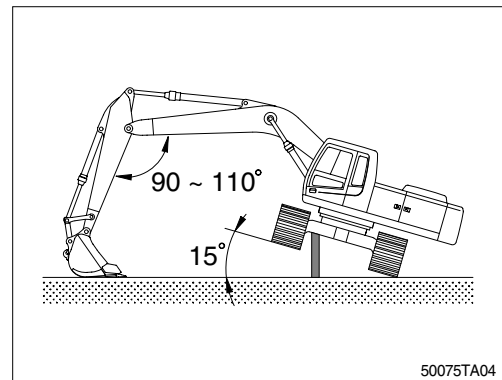
▲ Do not retract the track gauge except transporting purpose.

- (1) Remove eight bolts(1), and spacers from lower track(2) to the retracted.
- ※ Do not loosen two bolts(3) on guide(4).

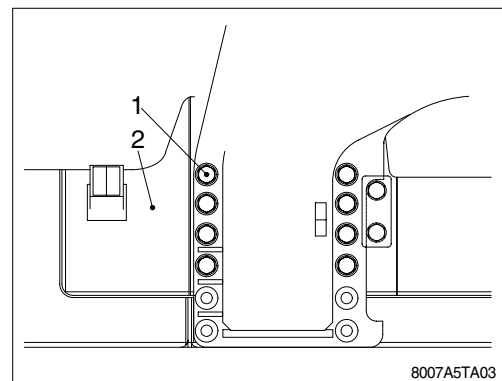


- (2) Turn superstructure so that it is perpendicular to lower track to be retracted. Raise lower track to approximately 15 degree from ground using a jack. Lower track should slide by its own weight and hit against the stop.
- ※ If lower track does not slide in this condition, allow lower track that is not contraction ground to move back and forth slowly.

**▲ The arm must be set at 90~110 degree.
Never set it at an angle less than 90 degree.**

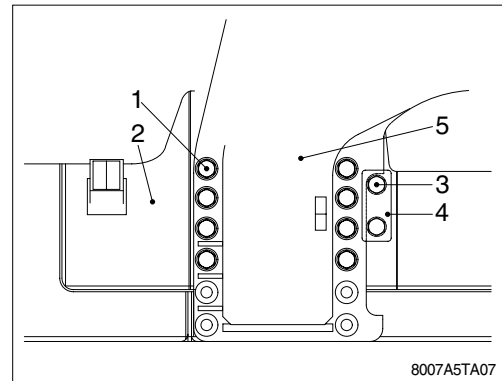


- (3) After lower track(2) has slid into place, lower superstructure to ground.
Install eight spacers and bolts(1).- ※ Tighten bolts to $280 \pm 30 \text{kgf} \cdot \text{m}$ ($2020 \pm 220 \text{lb} \cdot \text{ft}$)
- ※ Repeat procedure at opposite side center frame support.
- (4) After the bolts for one side frame are fastened, repeat steps 1 thru 3 for opposite side frame.
- (5) Store remaining bolts, spacers with machine.

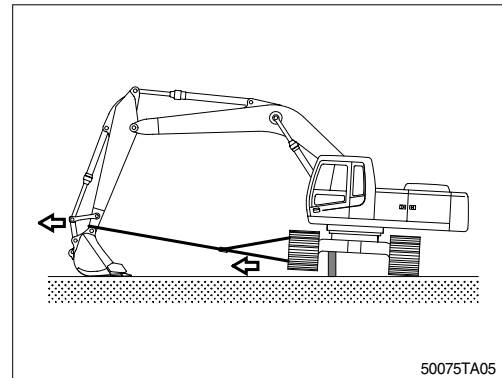


1) FRAME EXTENSION

- (1) Remove eight bolts(1), and spacers from lower track(2) to be extended.
 - ※ Do not loosen two bolts(3) on guide(4).



- (2) Turn superstructure so that it is perpendicular to lower track to be extended.
 - ※ Do not attach cable on side frame step.
- (3) Attach one end of cable on arm and the other end on lower track. Connect it with an appropriate holding device on both ends.
- (4) Raise lower track slightly with jack and block. Extend arm gradually to side frame out until it hits stop.
- (5) After lower track has slid into place, lower superstructure to ground. Remove cable.



- (6) Install eight spacers and bolts(2).
 - ※ Tighten bolts to $280 \pm 30 \text{ kgf} \cdot \text{m}$ ($2020 \pm 220 \text{ lbf} \cdot \text{ft}$)
 - ※ Repeat procedure at opposite track frame support.
- (7) After the bolts for one side frame are fastened repeat steps 1 thru 6 for other side frame.

