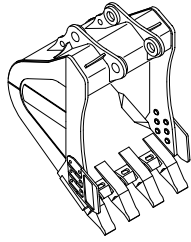
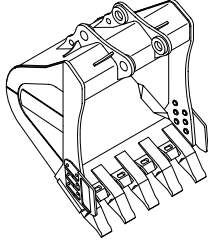
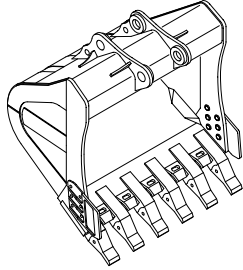


## 6. BUCKET SELECTION GUIDE

### 1) GENERAL BUCKET

		
3.40m <sup>3</sup> SAE heaped bucket	※ 4.53m <sup>3</sup> SAE 4.80m <sup>3</sup> SAE heaped bucket	5.10m <sup>3</sup> SAE heaped bucket

Capacity		Width		Weight	Recommendation		
SAE heaped	CECE heaped	Without side cutter	With side cutter		7.2m(23'7")boom 2.95m arm (9' 8")	8.05m(26'5")boom 3.40m arm (11' 2")	8.2m(26'11")boom 3.60m arm (11' 10")
3.40m <sup>3</sup> (4.45yd <sup>3</sup> )	3.00m <sup>3</sup> (3.92yd <sup>3</sup> )	1615mm (63.6")	1775mm (69.9")	3550kg (7830lb)			
※ 4.53m <sup>3</sup> (5.93yd <sup>3</sup> )	3.95m <sup>3</sup> (5.17yd <sup>3</sup> )	2040mm (80.3")	2200mm (86.6")	4190kg (9240lb)			
4.80m <sup>3</sup> (6.28yd <sup>3</sup> )	4.19m <sup>3</sup> (5.48yd <sup>3</sup> )	2135mm (84.1")	2295mm (90.4")	4305kg (9490lb)		-	-
5.10m <sup>3</sup> (6.67yd <sup>3</sup> )	4.44m <sup>3</sup> (5.81yd <sup>3</sup> )	2245mm (88.4")	2405mm (94.7")	4550kg (10030lb)		-	-

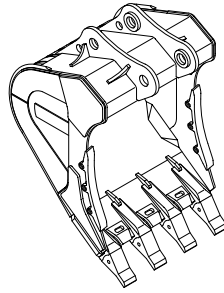
※ : Standard bucket

Applicable for materials with density of 2000kg/m<sup>3</sup> (3370lb/yd<sup>3</sup>) or less

Applicable for materials with density of 1600kg/m<sup>3</sup> (2700lb/yd<sup>3</sup>) or less

Applicable for materials with density of 1100kg/m<sup>3</sup> (1850lb/yd<sup>3</sup>) or less

## 2) ROCK BUCKET



⊙ 3.40m³ SAE heaped bucket

Capacity		Width		Weight	Recommendation		
					7.2m(23'7")boom	8.05m(26'5")boom	8.2m(26'11")boom
SAE heaped	CECE heaped	Without side cutter	With side cutter		2.95m arm (9' 8")	3.40m arm (11' 2")	3.60m arm (11' 10")
⊙3.40m³ (4.45yd³)	3.00m³ (3.92yd³)	1635mm (64.4")	-	3750kg (8270lb)			

⊙ : Rock bucket

Applicable for materials with density of 2000kgf/m³ (3370lbf/yd³) or less

Applicable for materials with density of 1600kgf/m³ (2700lbf/yd³) or less