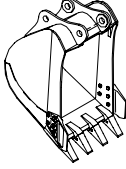
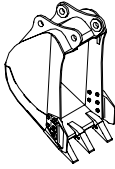
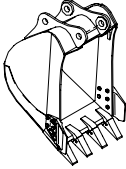


## 6. BUCKET SELECTION GUIDE

### 1) GENERAL BUCKET

		
※ 0.28m <sup>3</sup> SAE heaped bucket	0.15m <sup>3</sup> SAE heaped bucket	0.31m <sup>3</sup> SAE heaped bucket

Capacity		Width		Weight	Recommendation
SAE heaped	CECE heaped	Without side cutter	With side cutter		3.7m (12' 2") Mono boom
※ 0.28m <sup>3</sup> (0.37yd <sup>3</sup> )	0.25m <sup>3</sup> (0.33yd <sup>3</sup> )	670mm (26.4")	750mm (29.5")	230kg (510lb)	1.67m arm (5' 6")
0.15m <sup>3</sup> (0.19yd <sup>3</sup> )	0.13m <sup>3</sup> (0.17yd <sup>3</sup> )	390mm (15.4")	460mm (18.1")	190kg (420lb)	
0.31m <sup>3</sup> (0.41yd <sup>3</sup> )	0.27m <sup>3</sup> (0.35yd <sup>3</sup> )	720mm (28.3")	815mm (32.1")	245kg (540lb)	

※ : Standard bucket

Applicable for materials with density of 1600kg/m<sup>3</sup> (2700lb/yd<sup>3</sup>) or less