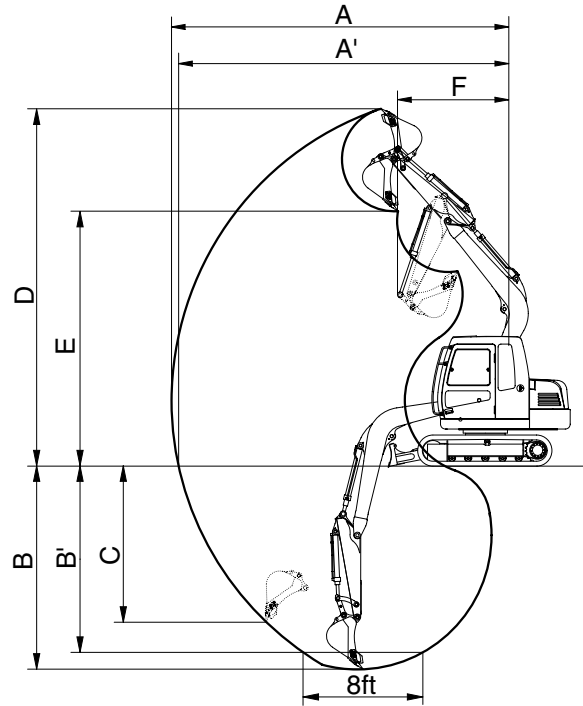


3. WORKING RANGE

1) 3.7m(12' 2") MONO BOOM



7072SP03

Description		1.67m(5' 6") Arm
Max digging reach	A	6330mm (20' 9")
Max digging reach on ground	A'	6190mm (20' 4")
Max digging depth	B	4150mm (13' 7")
Max digging depth (8ft level)	B'	3810mm (12' 6")
Max vertical wall digging depth	C	3200mm (10' 6")
Max digging height	D	7260mm (23'10")
Max dumping height	E	5170mm (17' 0")
Min swing radius	F	1750mm (5' 9")
Bucket digging force	SAE	44.1 kN
		4500 kgf
		9920 lbf
	ISO	51.0 kN
		5200 kgf
		11460 lbf
Arm digging force	SAE	38.2 kN
		3900 kgf
		8600 lbf
	ISO	39.2 kN
		4000 kgf
		8820 lbf