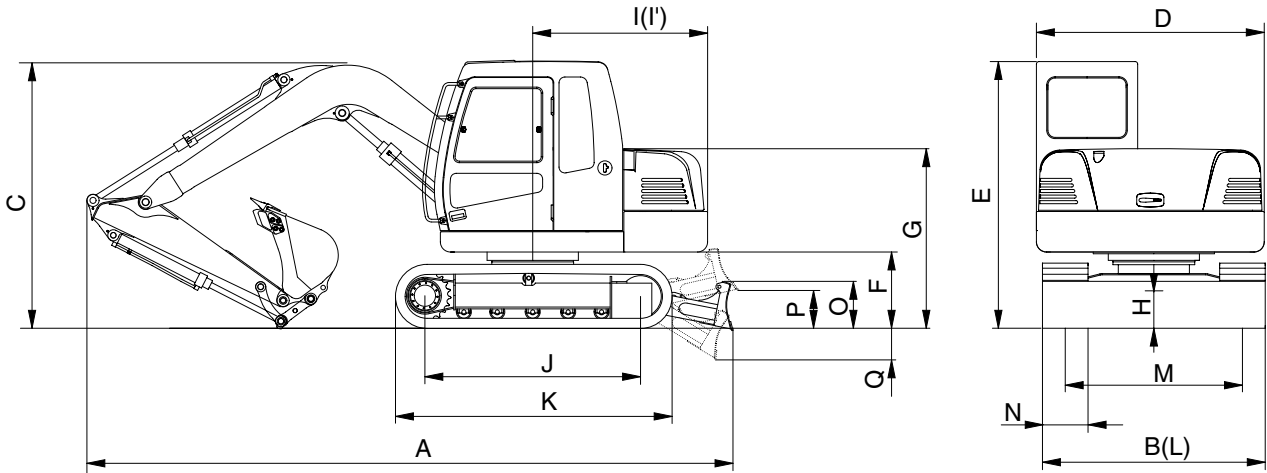


2. SPECIFICATIONS

1) 3.7m(12' 2") MONO BOOM, 1.67m(5' 6") ARM AND FRONT DOZER BLADE



7707203A

Description		Unit	Specification
Operating weight		kg(lb)	7800(17200)
Bucket capacity(SAE heaped), standard		m ³ (yd ³)	0.28(0.25)
Overall length	A	mm(ft-in)	6325(20' 9")
Overall width, with 450mm shoe	B		2260(7' 5")
Overall height of boom	C		2605(8' 7")
Superstructure width	D		2250(7' 5")
Overall height	E		2650(8' 8")
Ground clearance of counterweight	F		755(2' 6")
Engine cover height	G		1775(5' 10")
Minimum ground clearance	H		360(1' 2")
Rear-end distance	I		1727(5' 8")
Rear-end swing radius	I'		1750(5' 9")
Distance between tumblers	J		2130(6' 12")
Undercarriage length	K		2724(8' 11")
Undercarriage width	L		2200(7' 3")
Track gauge	M		1750(5' 9")
Track shoe width, standard	N		450(1' 6")
Height of blade	O		460(1' 6")
Ground clearance of blade up	P		400(1' 4")
Depth of blade down	Q		280(0' 11")
Travel speed(Low/high)			km/hr(mph)
Swing speed		rpm	12.0
Gradeability		Degree(%)	30(58)
Ground pressure(450mm shoe)		kgf/cm ² (psi)	0.37(5.26)