

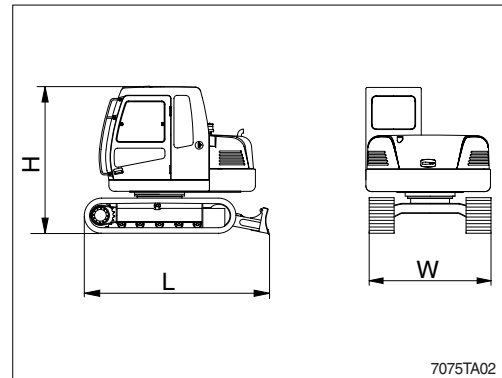
## 2. DIMENSION AND WEIGHT

### 1) ROBEX 80-7

#### (1) Base machine

Mark	Description	Unit	Specification
L	Length	mm(ft-in)	3090(10' 2")
H	Height	mm(ft-in)	2650( 8' 8")
Wd	Width	mm(ft-in)	2260( 7' 5")
Wt	Weight	kg(lb)	6570(14480)

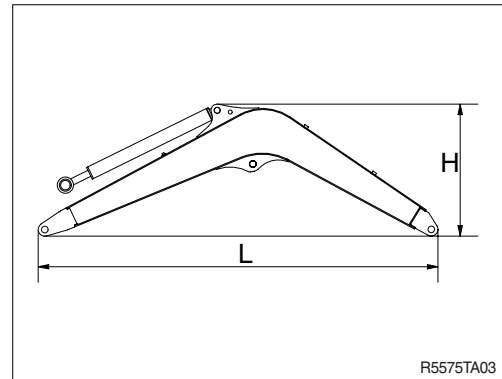
※ With 450mm(18") triple grouser shoes and 540kg(1190lb) counterweight.



#### (2) Boom assembly

Mark	Description	Unit	Specification
L	Length	mm(ft-in)	3850(12' 8")
H	Height	mm(ft-in)	1480( 4'10")
W	Width	mm(ft-in)	410( 1' 4")
Wt	Weight	kg(lb)	610(1350)

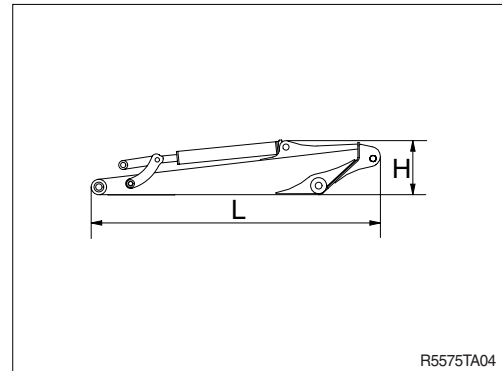
※ 3.7m(12' 2") boom with arm cylinder(Included piping and pins).



#### (3) Arm assembly

OMark	Description	Unit	Specification
L	Length	mm(ft-in)	2230( 7' 4")
H	Height	mm(ft-in)	610( 2' 0")
W	Width	mm(ft-in)	220( 0' 9")
Wt	Weight	kg(lb)	310(680)

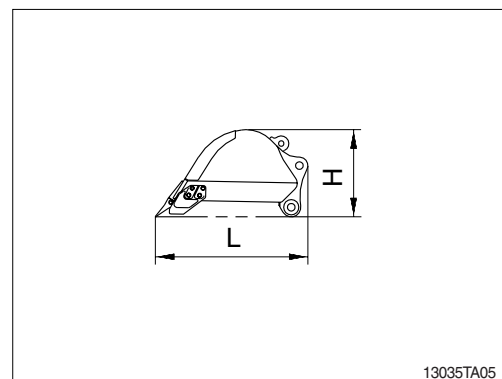
※ 1.67m(5' 6") arm with bucket cylinder(Included linkage and pins).



#### (4) Bucket assembly

Mark	Description	Unit	Specification
L	Length	mm(ft-in)	1170( 3'10")
H	Height	mm(ft-in)	710( 2' 4")
W	Width	mm(ft-in)	750( 2' 6")
Wt	Weight	kg(lb)	230(510)

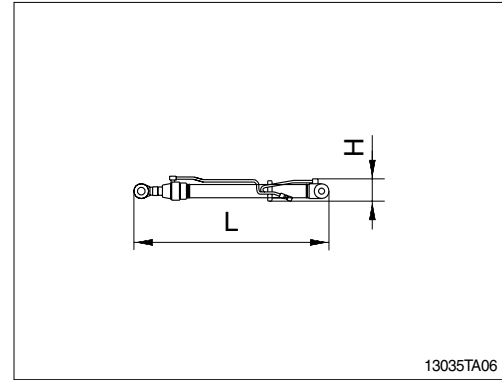
※ 0.28m<sup>3</sup>(0.37yd<sup>3</sup>) SAE heaped bucket(Included tooth and side cutters).



**(5) Boom cylinder**

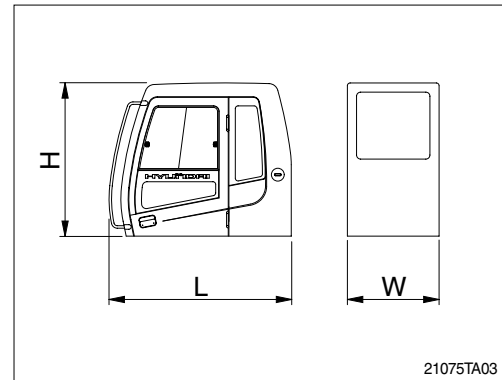
Mark	Description	Unit	Specification
L	Length	mm(ft-in)	1550( 5' 1")
H	Height	mm(ft-in)	260( 0'10")
W	Width	mm(ft-in)	200( 0' 8")
Wt	Weight	kg(lb)	120(260)

※ Included piping.



**(6) Cab assembly**

Mark	Description	Unit	Specification
L	Length	mm(ft-in)	1962( 6' 5")
H	Height	mm(ft-in)	1676( 5' 6")
W	Width	mm(ft-in)	1288( 4' 3")
Wt	Weight	kg(lb)	310(680)



**(7) Counterweight**

Mark	Description	Unit	Specification
L	Length	mm(ft-in)	2250( 7' 5")
H	Height	mm(ft-in)	400( 1' 4")
W	Width	mm(ft-in)	827(2' 9")
Wt	Weight	kg(lb)	540(1190)

