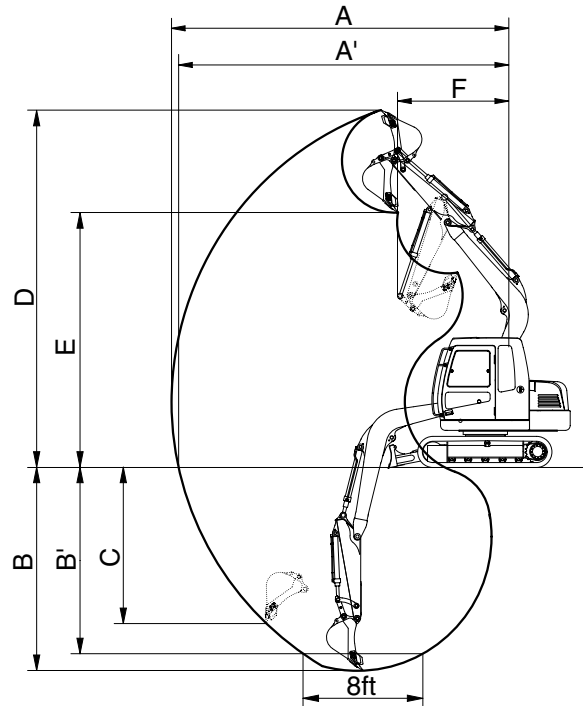


3. WORKING RANGE

1) R80-7

(1) 3.7m(12' 2") MONO BOOM



7072SP03

Description		1.67m(5' 6") Arm	
Max digging reach	A	6330mm (20' 9")	
Max digging reach on ground	A'	6190mm (20' 4")	
Max digging depth	B	4150mm (13' 7")	
Max digging depth (8ft level)	B'	3810mm (12' 6")	
Max vertical wall digging depth	C	3200mm (10' 6")	
Max digging height	D	7260mm (23'10")	
Max dumping height	E	5170mm (17' 0")	
Min swing radius	F	1750mm (5' 9")	
Bucket digging force	SAE	44.1 kN	
		4500 kgf	
		9920 lbf	
	ISO	51.0 kN	
		5200 kgf	
		11460 lbf	
Arm digging force	SAE	38.2 kN	
		3900 kgf	
		8600 lbf	
	ISO	39.2 kN	
		4000 kgf	
		8820 lbf	