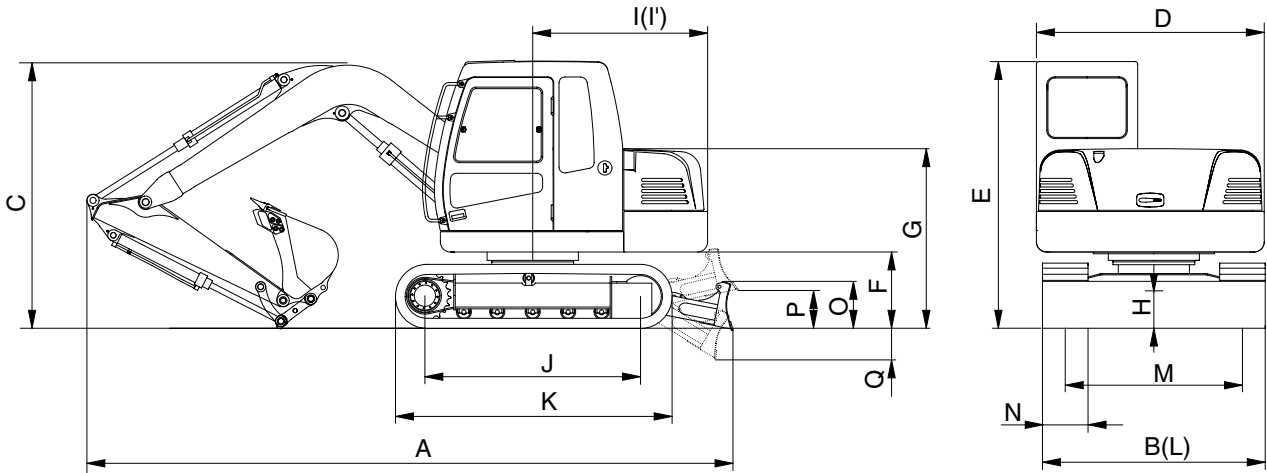


## 2. SPECIFICATIONS

### 1) 3.7m(12' 2") MONO BOOM, 1.67m(5' 6") ARM AND FRONT DOZER BLADE



7707203A

Description		Unit	Specification	
Operating weight		kg(lb)	7800(17200)	
Bucket capacity(SAE heaped), standard		m <sup>3</sup> (yd <sup>3</sup> )	0.28(0.25)	
Overall length	A	mm(ft-in)	6325(20' 9")	
Overall width, with 450mm shoe	B		2260( 7' 5")	
Overall height of boom	C		2605( 8' 7")	
Superstructure width	D		2250( 7' 5")	
Overall height	E		2650( 8' 8")	
Ground clearance of counterweight	F		755( 2' 6")	
Engine cover height	G		1775( 5' 10")	
Minimum ground clearance	H		360( 1' 2")	
Rear-end distance	I		1727( 5' 8")	
Rear-end swing radius	I'		1750( 5' 9")	
Distance between tumblers	J		2130( 6' 12")	
Undercarriage length	K		2724( 8' 11")	
Undercarriage width	L		2200( 7' 3")	
Track gauge	M		1750( 5' 9")	
Track shoe width, standard	N		450( 1' 6")	
Height of blade	O		460( 1' 6")	
Ground clearance of blade up	P		400( 1' 4")	
Depth of blade down	Q		280( 0' 11")	
Travel speed(Low/high)			km/hr(mph)	3.3/4.6(2.1/2.9)
Swing speed			rpm	12.0
Gradeability		Degree(%)	30(58)	
Ground pressure(450mm shoe)		kgf/cm <sup>2</sup> (psi)	0.37(5.26)	