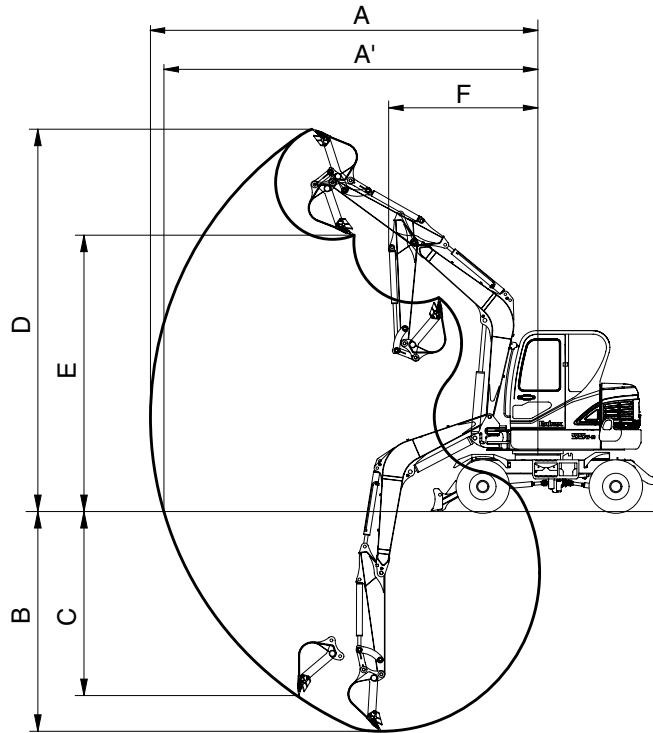


### 3. WORKING RANGE

#### 1) 3.0 m (9'10") MONO BOOM WITH BOOM SWING SYSTEM



55W92SP03

Description		1.6 m (5' 3") Arm
Max digging reach	A	6150 mm (20' 2")
Max digging reach on ground	A'	5980 mm (19' 7")
Max digging depth	B	3500 mm (11' 6")
Max vertical wall digging depth	C	2960 mm ( 9' 9")
Max digging height	D	6070 mm (19' 11")
Max dumping height	E	4340 mm (14' 3")
Min swing radius	F	2350 mm ( 7' 9")
Boom swing radius (left/right)		80°/50°
Bucket digging force	SAE	37.7 kN
		3850 kgf
		8490 lbf
	ISO	42.4 kN
		4330 kgf
		9550 lbf
Arm crowd force	SAE	28.4 kN
		2900 kgf
		6390 lbf
	ISO	31.9 kN
		3260 kgf
		7190 lbf