

# CONTENTS

Foreword .....	0-1
Before servicing this machine .....	0-2
EC regulation approved .....	0-3
Table to enter S/No and distribution .....	0-4
Safety labels .....	0-5
Machine data plate .....	0-13
Guide(Direction, S/No, Symbol) .....	0-14

## SAFETY HINTS

1. Before operating the machine .....	1-1
2. During operating the machine .....	1-6
3. During maintenance .....	1-13
4. Parking .....	1-16

## SPECIFICATIONS

1. Major components .....	2-1
2. Specifications .....	2-2
3. Working range .....	2-3
4. Weight .....	2-4
5. Lifting capacities .....	2-5
6. Bucket selection guide .....	2-6
7. Specification for major components .....	2-7
8. Recommended oils .....	2-10

## CONTROL DEVICES

1. Cab devices .....	3-1
2. Cluster .....	3-2
3. Switches .....	3-8
4. Levers and pedals .....	3-14
5. Air conditioner and heater .....	3-17
6. Others .....	3-19

## OPERATION

1. Suggestion for new machine .....	4-1
2. Check before starting the engine .....	4-2
3. Starting and stop the engine .....	4-3
4. Operation of the working device .....	4-7
5. Traveling of the machine .....	4-8
6. Efficient working method .....	4-14

7. Operation in the special work sites .....	4-19
8. Normal operation of excavator .....	4-21
9. Attachment lowering .....	4-22
10. Storage .....	4-23
11. RCV lever operating pattern .....	4-25

## TRANSPORTATION

1. Road traveling .....	5-1
2. Preparation for transportation .....	5-2
3. Dimension and weight .....	5-3
4. Loading the machine .....	5-5
5. Fixing the machine .....	5-7
6. Loading and unloading by crane .....	5-8

## MAINTENANCE

1. Instruction .....	6-1
2. Tightening torque .....	6-6
3. Fuel, coolant and lubricants .....	6-9
4. Maintenance check list .....	6-11
5. Maintenance chart .....	6-15
6. Service instruction .....	6-17
7. Electrical system .....	6-38
8. Air conditioner and heater .....	6-41

## TROUBLESHOOTING GUIDE

1. Engine .....	7-1
2. Electrical system .....	7-2
3. Others .....	7-3

## HYDRAULIC BREAKER AND QUICK CLAMP

1. Selecting hydraulic breaker .....	8-1
2. Circuit configuration .....	8-2
3. Maintenance .....	8-3
4. Precaution while operating the breaker .....	8-4
5. Quick clamp .....	8-6

INDEX .....	9-1
-------------	-----

## FOREWORD

This manual contains a number of instructions and safety recommendations regarding driving, handling, lubrication, maintenance, inspection and adjustment of the excavator.

The manual is to promote safety maintenance and enhance machine performance.

Keep this manual handy and have all personnel read it periodically.

If you sell the machine, be sure to give this manual to the new owners.

This machine complies with EC directive "2006/42/EC".

1. **Read** and **understand** this manual before operating the machine.

This operator's manual may contain attachments and optional equipment that are not available in your area. Please consult your local Hyundai distributor for those items you require.

Improper operation and maintenance of this machine can be hazardous and could result in serious injury or death.

Some actions involved in operation and maintenance of the machine can cause a serious accident, if they are not done in a manner described in this manual.

The procedures and precautions given in this manual apply only to intended uses of the machine.

If you use your machine for any unintended uses that are not specifically prohibited, you must be sure that it is safe for you and others. In no event should you or others engage in prohibited uses of actions as described in this manual.

2. **Inspect** the jobsite and **follow** the safety recommendations in the **safety hints** section before operating the machine.

3. Use **genuine Hyundai spare parts** for the replacement of parts.

We expressly point out that Hyundai will not accept any responsibility for defects resulting from non-genuine parts or non workmanlike repair.

In such cases Hyundai cannot assume liability for any damage.

Continuing improvements in the design of this machine can lead to changes in detail which may not be reflected in this manual. Consult Hyundai or your Hyundai distributor for the latest available information for your machine or for questions regarding information in this manual.

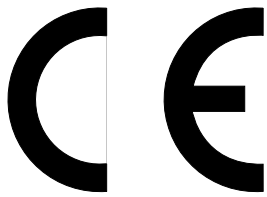
## EC REGULATION APPROVED

- Noise level (EN474-1 : 2006 and 2000/14/EC) are as followings.  
LWA : 98dB(EU only)  
LPA : 78dB
- The value of vibrations transmitted by the operator's seat are lower than standard value of (EN474-1 : 2006 and 2002/44/EC)



## EC REGULATION APPROVED

- Noise level (EN474-1 ANNEX4.10 and 2000/14/EC) are as followings.  
LWA : 98dB(EU only)  
LPA : 78dB
- The value of vibrations transmitted by the operator's seat are lower than standard value of (EN474-1 ANNEX 4.3.1.3)



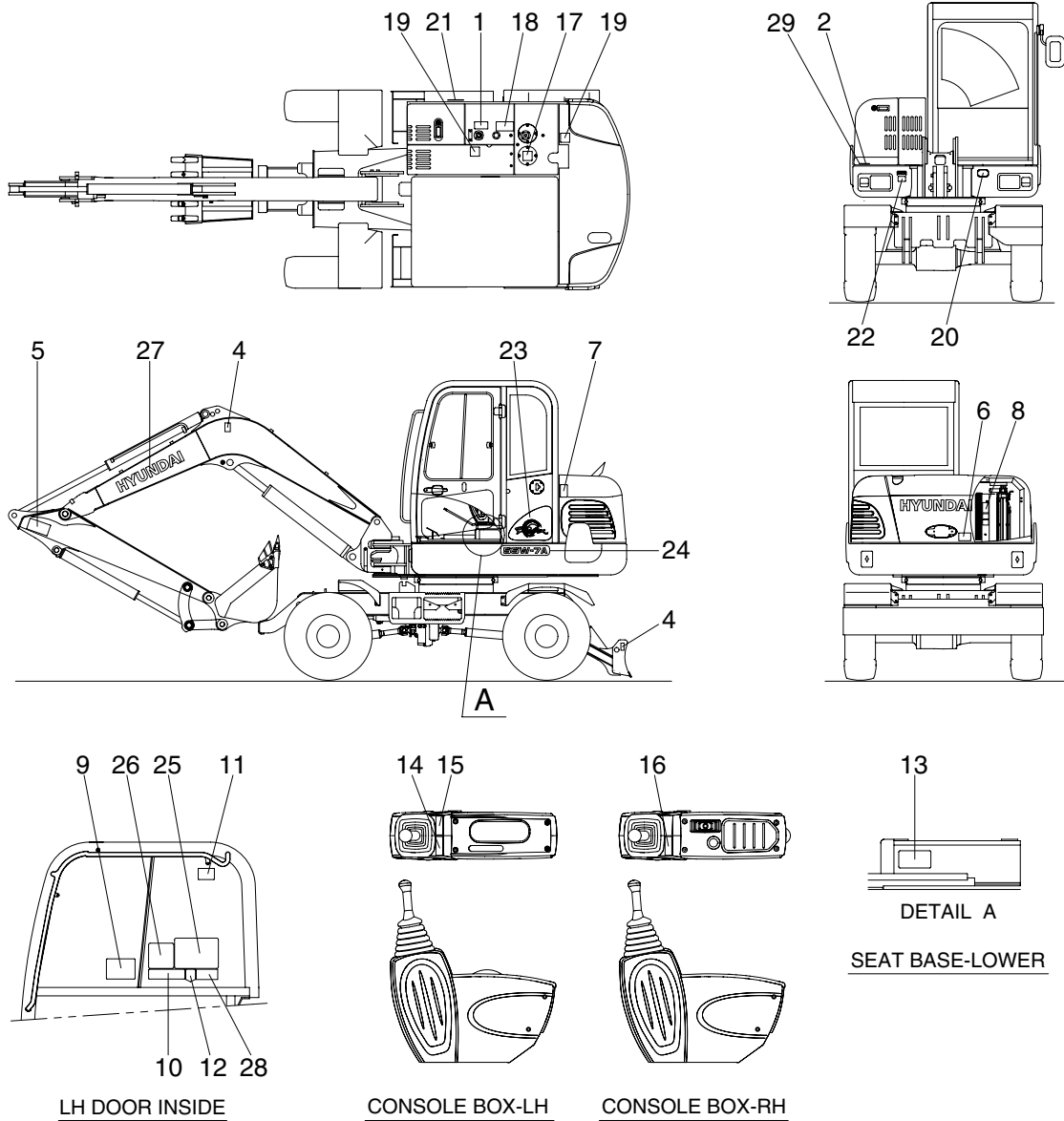
**TABLE TO ENTER SERIAL NO. AND DISTRIBUTOR**

Machine Serial No.	
Engine Serial No.	
Manufacturing year	
Manufacturer Address	Hyundai Heavy Industries co., Ltd. 1 Chonha-Dong, Dong-Ku Ulsan The Republic of Korea.
Distributor for U.S.A Address	Hyundai Heavy Industries U.S.A, Inc 955 Estes Avenue EIK Grove village IL, 60001 U.S.A
Distributor for Europe Address	Hyundai Heavy Industries Europe N. V. Vossendal 11 2240 Geel Belgium
Dealer Address	

# SAFETY LABELS

## 1. LOCATION

Always keep these labels clean. If they are lost or damaged, attach them again or replace them with a new label.



- |    |                        |    |                           |    |                     |
|----|------------------------|----|---------------------------|----|---------------------|
| 1  | Fueling                | 12 | Emergency exit            | 22 | Indicate-Grease     |
| 2  | Battery accident       | 13 | Air conditioner filter    | 23 | Logo(ROBEX)         |
| 4  | Lifting point ideogram | 14 | Console box tilting       | 24 | Model name          |
| 5  | Keep clear(Boom/Arm)   | 15 | Control ideogram(LH)      | 25 | Service instruction |
| 6  | Keep clear(Rear)       | 16 | Control ideogram(RH)      | 26 | Lifting chart       |
| 7  | Keep clear(Side)       | 17 | Hydraulic oil lubrication | 27 | Trade mark(Boom)    |
| 8  | Caution-Engine room    | 18 | Falling                   | 28 | Swing lock          |
| 9  | Control ideograms      | 19 | No step-Engine hood       | 29 | ECM connector       |
| 10 | General caution-Cab    | 20 | Name plate                |    |                     |
| 11 | Safety front window    | 21 | General warning-Frame     |    |                     |

55W7A0SL01A

## 2. DESCRIPTION

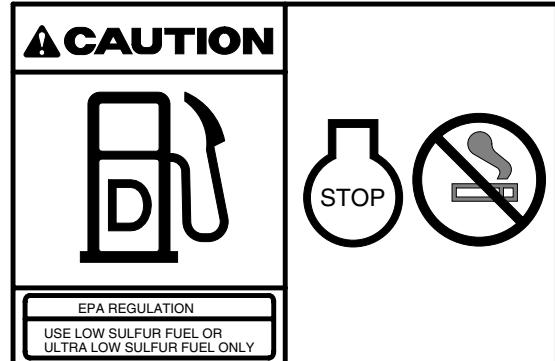
There are several specific warning labels on this machine please become familiarized with all warning labels.

Replace any safety label that is damaged, or missing.

### 1) FUELING(Item 1)

This warning label is positioned on the right side of fuel filler neck.

- ▲ Stop the engine when refueling. All lights or flames shall be kept at a safe distance while refueling.
- ▲ EPA Regulation : use low sulfur fuel or ultra low sulfur fuel only.



R807A0FW04

### 2) BATTERY ACCIDENT(Item 2)

This warning label is positioned in the tool box.

- ▲ Electrolyte containing sulfuric acid cause severe burns. Avoid being in contact with skin, eyes or clothes. In the event of accident flush with sufficient water, call a physician immediately.
- ※ Maintain the electrolyte at the recommended level. Add distilled water to the battery only when starting up, never when shutting down. With electrolyte at proper level, less space may cause the gases to be accumulated in the battery.



36070FW05

- ▲ Extinguish all smoking materials and open flames before checking the battery.
- ▲ Do not use matches, lighters or torches as a light source near the battery for the probable presence of explosive gas.
- ▲ Do not allow unauthorized personnel to change the battery or to use booster cables.
- ▲ For safety from electric shock, do not touch battery terminals with a wet hand.

**3) KEEP CLEAR-BOOM/ARM(Item 5)**

This warning label is positioned on both side of the boom.

- ⚠ **Serious injury or death can result from falling of the attachment.**
- ⚠ **To prevent serious injury or death, keep clear the underneath of attachment.**



R5570FW31

**4) KEEP CLEAR-REAR(Item 6)**

This warning label is positioned on the rear of engine hood.

- ⚠ **To prevent serious personal injury or death keep clear of machine swing radius.**
- ⚠ **Do not deface or remove this label from the machine.**

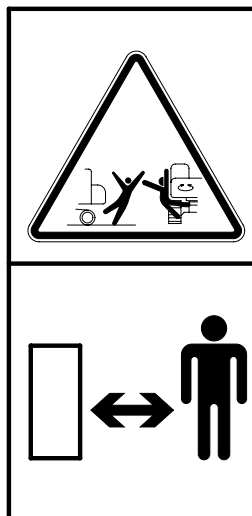


R5570FW09

**5) KEEP CLEAR-SIDE(Item 7)**

This warning label is positioned on the side of engine hood.

- ⚠ **To prevent serious personal injury or death keep clear of machine swing radius.**
- ⚠ **Do not deface or remove this label from the machine.**

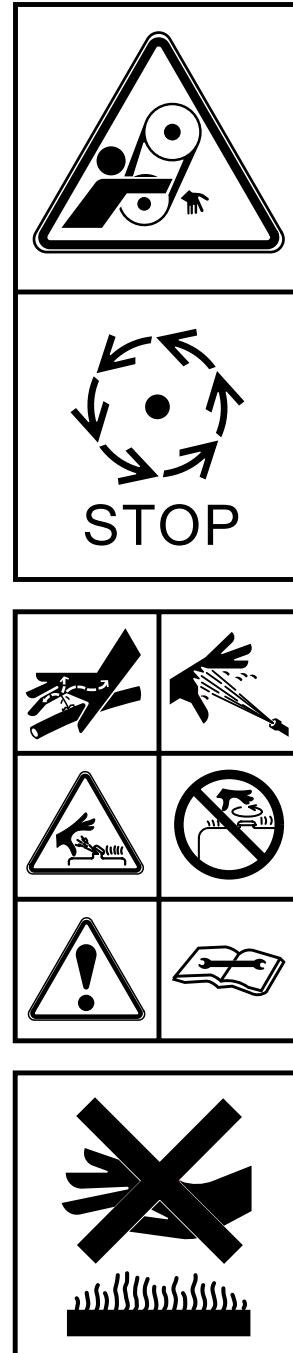


R5570FW13

6) CAUTION-ENGINE ROOM(Item 8)

This warning label is positioned on the side of shroud.

- ▲ Do not open the engine hood during the engine's running.
- ▲ Escaping fluid under pressure can penetrate the skin causing serious injury.
- ※ Study the service manual before service job.
- ▲ Never open the filler cap while engine running or at high coolant oil temperature.
- ▲ Study the operator's manual before starting and operating machine.
- ▲ Do not touch exhaust pipe or it may cause severe burn.

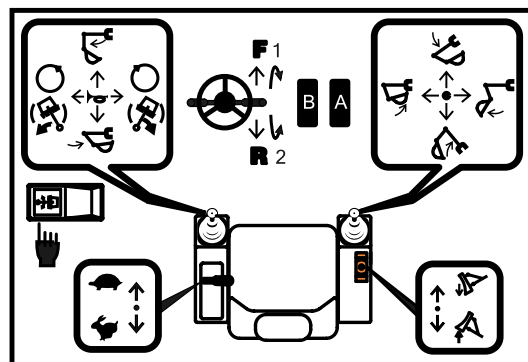


R5570FW14

7) CONTROL IDEOGRAM(Item 9)

This warning label is positioned on the right side window of the cab.

- ▲ Check the machine control pattern for conformance to pattern on this label. If not, change label to match pattern before operating machine.
- ▲ Failure to do so could result in injury or death.
- ※ See page 4-7 for details.



55W70FW19

### 8) GENERAL CAUTIONS-CABIN(Item 10)

This warning label is positioned on the right side window of the cab.

- ⚠ **Serious injury or death can result from contact with electric lines.**

An electric shock being received by merely coming into the vicinity of an electric lines, the minimum distance should be kept considering the supply voltage as page 1-7.

- ⚠ **Serious injury or death can result from dropping bucket.**
- ⚠ **Operating the machine with quick clamp switch unlocked or without safety pin of moving hook can cause the bucket to drop off.**

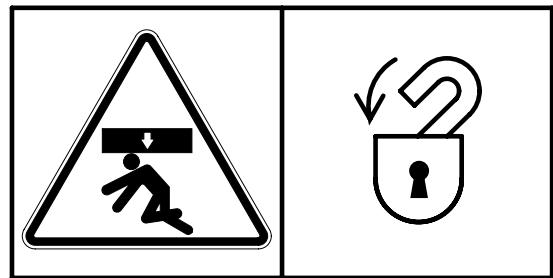


55W70FW15

### 9) SAFETY FRONT WINDOW(Item 11)

This warning label is positioned on the both side window of the cab.

- ⚠ **Be careful that the front window may be promptly closed.**

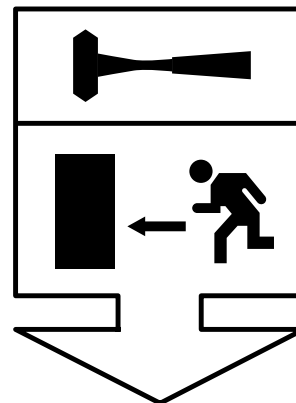


21070FW24

### 10) EMERGENCY EXIT(Item 12)

This warning label is positioned on the right side window of the cab.

- ⚠ **The right side window serves us an alternate exit.**
- ⚠ **At case of emergency, use the hammer for braking the right side window of the cab.**

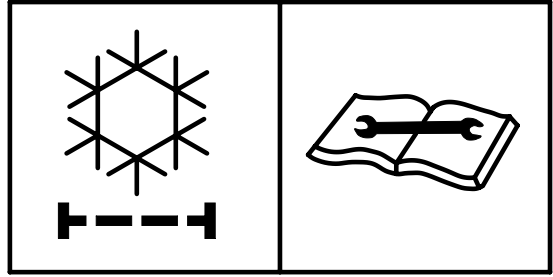


R5570FW16

### 11) AIR CONDITIONER FILTER(Item 13)

This warning label is positioned on the lower seat base.

- ※ Periodic and proper inspection, cleaning and change of filter prolong air conditioner life time and maintain good performance.

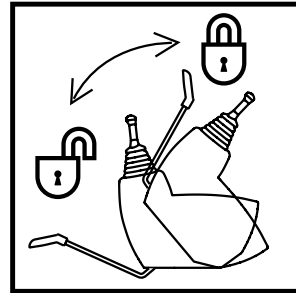


21070FW26

### 12) CONSOLE BOX TILTING(Item 14)

This warning label is positioned on the LH console box.

- ※ Before you get off the machine be sure to tilt the LH console box.

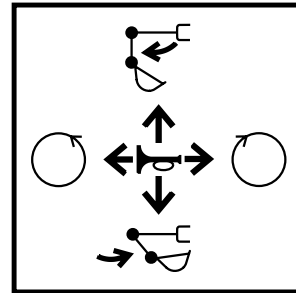


R5570FW17

### 13) CONTROL IDEOGRAM-LH(Item 15)

This warning label is positioned on the LH console box.

- ▲ Check the machine control pattern for conformance to pattern on this label. If not, change label to match pattern before operating machine.
- ▲ Failure to do so could result in injury or death.
- ※ See page 4-7 for details.

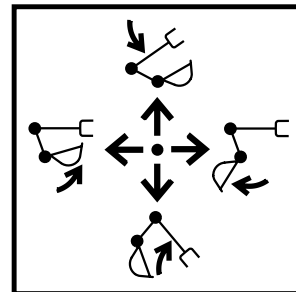


R5570FW18

### 14) CONTROL IDEOGRAM-RH(Item 16)

This warning label is positioned on the RH console box.

- ▲ Check the machine control pattern for conformance to pattern on this label. If not, change label to match pattern before operating machine.
- ▲ Failure to do so could result in injury or death.
- ※ See page 4-7 for details.



R5570FW20

### 15) HYDRAULIC OIL LUBRICATION (Item 17)

This warning label is positioned on the left side of air breather.

- ※ Do not mix with different brand oils.
- ▲ Never open the filler cap while engine running or at high hydraulic oil temperature.
- ▲ Loosen the cap slowly and release internal pressure completely.

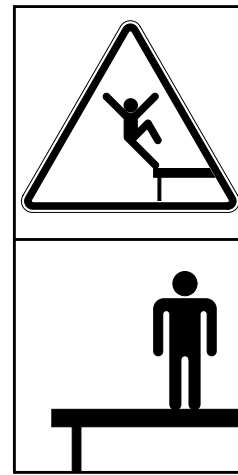


21070FW08

### 16) FALLING (Item 18)

This warning label is positioned on the top of the fuel tank.

- ▲ Falling is one of the major cause of personal injury.
- ▲ Be careful of slippery conditions on the platforms, steps and handrails when standing on the machine.

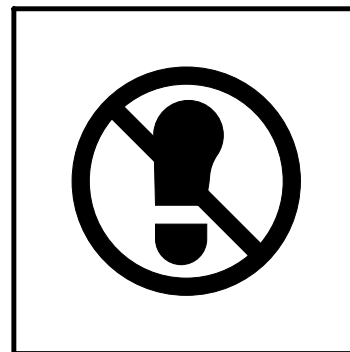


14070FW30

### 17) NO STEP-ENGINE HOOD (Item 19)

This warning label is positioned on the engine hood.

- ▲ Do not step on the engine hood.

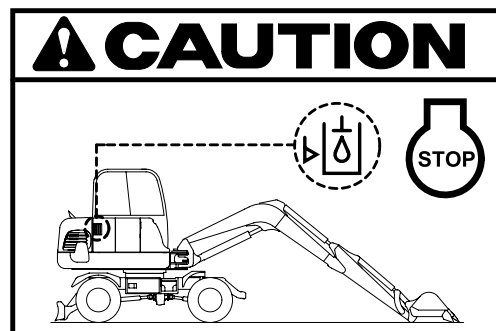
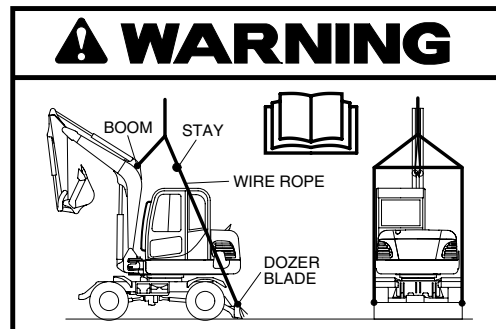
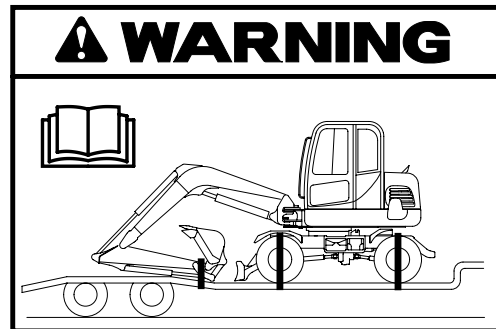


21070FW16

### 18) GENERAL WARNING-FRAME (Item 21)

This warning label is positioned right side of upper frame.

- ▲ Study the operator's manual before transporting the machine, if provided and tie down arm and lower to the carrier with lashing wire.
- ※ See page 5-7 for details.
- ▲ Make sure wire rope is proper size and keep correct hoisting method.
- ※ See page 5-8 for details.
- ▲ Place the bucket on the ground whenever servicing the hydraulic system.
- ※ Check oil level on the level gauge.
- ※ Refill the recommended hydraulic oil up to specified level if necessary.

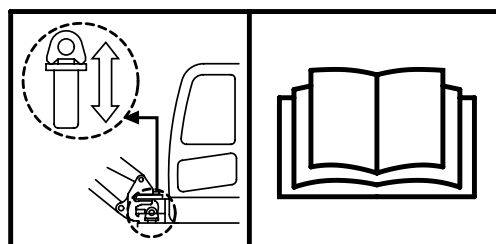


55W70FW21

### 19) SWING LOCK (Item 28)

This warning label is positioned on the right side window of the cab.

- ▲ Before operating the machine, be sure to release the swing lock device.

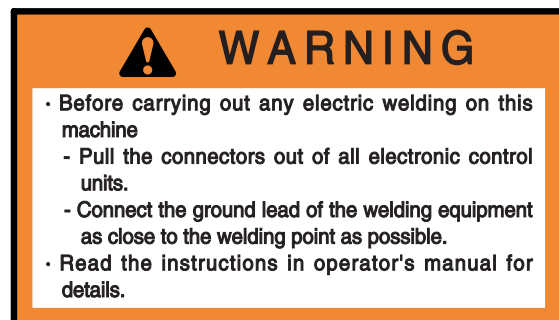


55W70FW22

### 20) ECM CONNECTOR (Item 29)

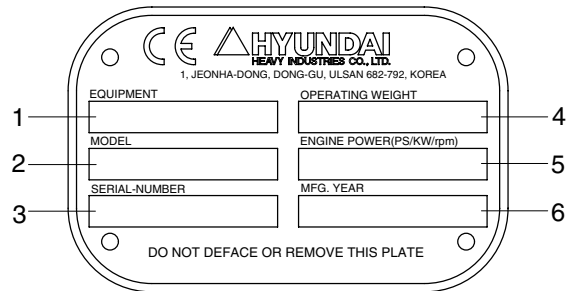
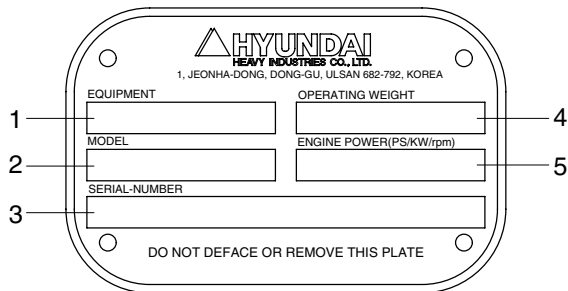
This warning label is positioned on the battery cover.

- ▲ Before carrying out any electric welding on this machine follow the below procedure.
  - Pull the connector out of all electric control units.
  - Connector the ground lead of the welding equipment as close to the welding point as possible.
- ※ See page 6-40 for detail.



7807AFW20

# MACHINE DATA PLATE



FOR EU ONLY

21090FW10

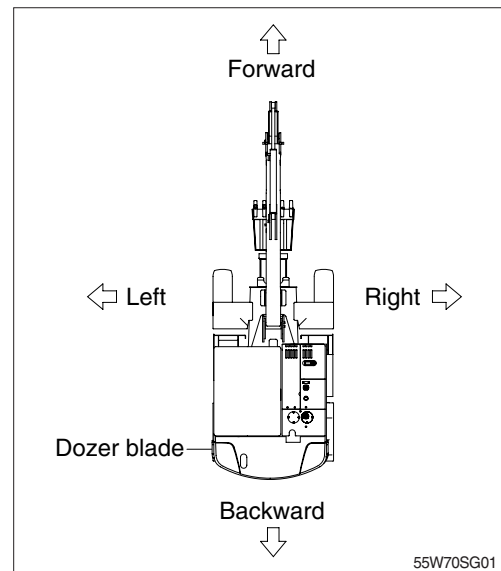
- |   |            |   |                  |   |                    |
|---|------------|---|------------------|---|--------------------|
| 1 | Equipment  | 3 | Serial number    | 5 | Engine power       |
| 2 | Model name | 4 | Operating weight | 6 | Manufacturing year |

※ The machine serial number assigned to this particular machine and should be used when requesting information or ordering service parts for this machine from your authorized HYUNDAI dealer. The machine serial number is also stamped on the frame.

## GUIDE

### 1. DIRECTION

The direction of this manual indicate forward, backward, right and left on the standard of operator when the dozer blade is in the rear and machine is on the traveling direction.

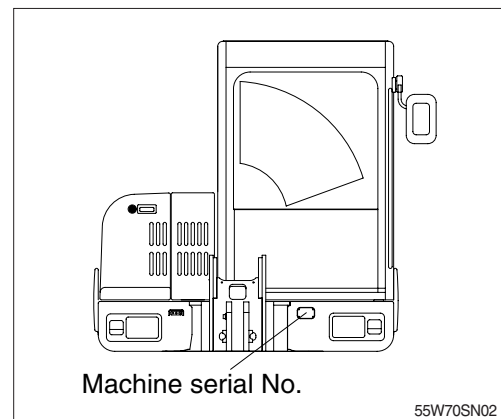


### 2. SERIAL NUMBER

Inform following when you order parts or the machine is out of order.

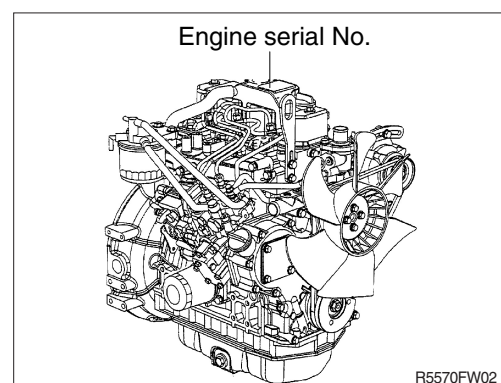
#### 1) MACHINE SERIAL NUMBER

The numbers are located below the front window of the operator's cab.



#### 2) ENGINE SERIAL NUMBER

The numbers are located on the engine name plate.



### 3. SYMBOLS

▲ Important safety hint.

△ It indicates matters which can cause the great loss on the machine or the surroundings.

※ It indicates the useful information for operator.