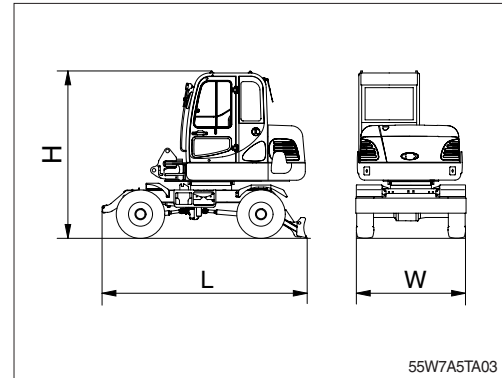


3. DIMENSION AND WEIGHT

1) Base machine

| Mark | Description | Unit | Specification |
|------|-------------|-----------|---------------|
| L | Length | mm(ft-in) | 3580(11' 9") |
| H | Height | mm(ft-in) | 2850(9' 4") |
| Wd | Width | mm(ft-in) | 1925(6' 4") |
| Wt | Weight | kg(lb) | 4710(10390) |

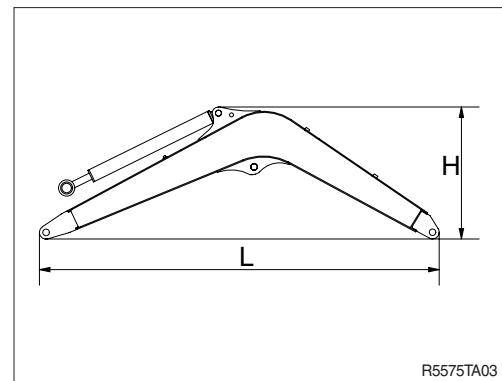
※ With 200kg (440lb) counterweight.



2) Boom assembly

| Mark | Description | Unit | Specification |
|------|-------------|-----------|---------------|
| L | Length | mm(ft-in) | 3120(10' 3") |
| H | Height | mm(ft-in) | 1140(3' 9") |
| W | Width | mm(ft-in) | 250(0'10") |
| Wt | Weight | kg(lb) | 310(680) |

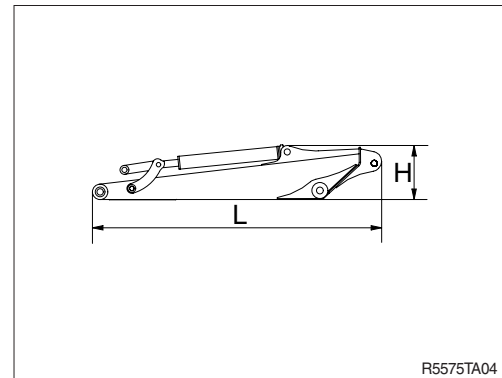
※ 3.0m(9'10") boom with arm cylinder(Included piping and pins).



3) Arm assembly

| Mark | Description | Unit | Specification |
|------|-------------|-----------|---------------|
| L | Length | mm(ft-in) | 2130(6'12") |
| H | Height | mm(ft-in) | 450(1' 6") |
| W | Width | mm(ft-in) | 170(0' 7") |
| Wt | Weight | kg(lb) | 210(460) |

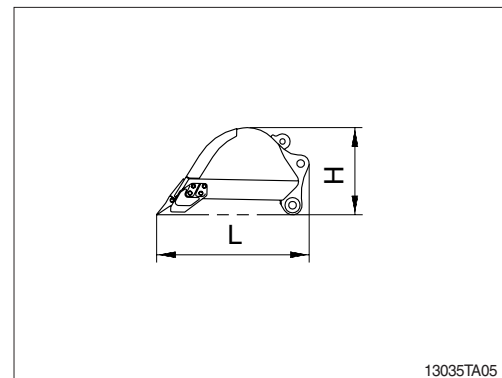
※ 1.6m(5' 3") arm with bucket cylinder(Included linkage and pins).



4) Bucket assembly

| Mark | Description | Unit | Specification |
|------|-------------|-----------|---------------|
| L | Length | mm(ft-in) | 1020(3' 4") |
| H | Height | mm(ft-in) | 570(1'10") |
| W | Width | mm(ft-in) | 740(2' 5") |
| Wt | Weight | kg(lb) | 170(380) |

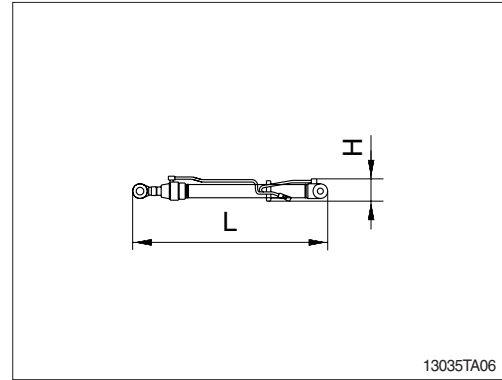
※ 0.18m³(0.24yd³) SAE heaped bucket(Included tooth and side cutters).



5) Boom cylinder

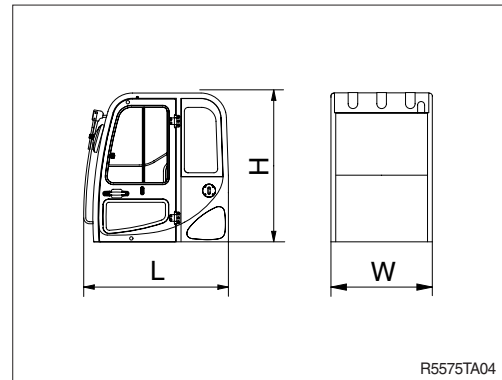
| Mark | Description | Unit | Specification |
|------|-------------|-----------|---------------|
| L | Length | mm(ft-in) | 1210(3'12") |
| H | Height | mm(ft-in) | 150(0' 6") |
| W | Width | mm(ft-in) | 280(0'11") |
| Wt | Weight | kg(lb) | 55(120) |

※ Included piping.



6) Cab assembly

| Mark | Description | Unit | Specification |
|------|-------------|-----------|---------------|
| L | Length | mm(ft-in) | 1510(4'12") |
| H | Height | mm(ft-in) | 1560(5' 2") |
| W | Width | mm(ft-in) | 1060(3' 6") |
| Wt | Weight | kg(lb) | 280(620) |



7) Counterweight

| Mark | Description | Unit | Specification |
|------|-------------|-----------|---------------|
| L | Length | mm(ft-in) | 1830(6' 0") |
| H | Height | mm(ft-in) | 500(1' 8") |
| W | Width | mm(ft-in) | 600(1'12") |
| Wt | Weight | kg(lb) | 200(440) |

