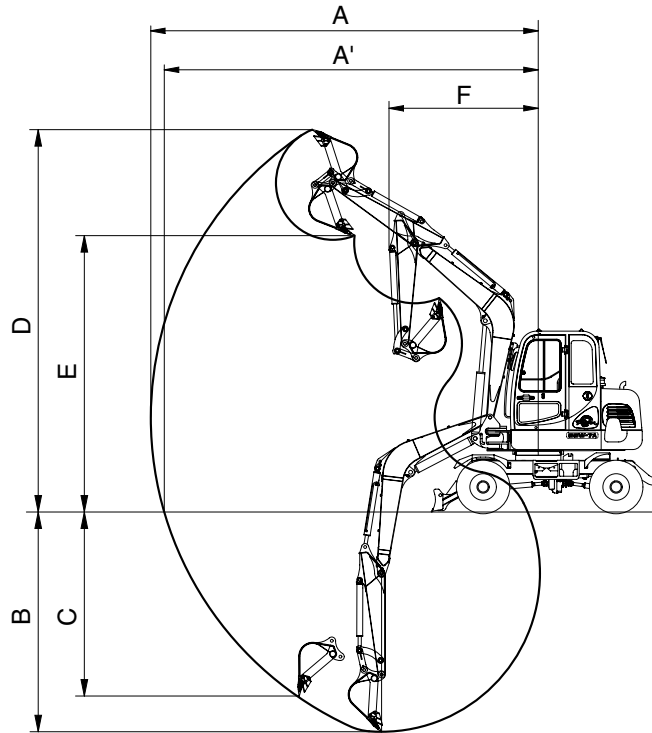


3. WORKING RANGE

1) 3.0m(9'10") MONO BOOM WITH BOOM SWING POST



55W7A2SP05

Description		1.6m(5' 3") Arm
Max digging reach	A	6150mm (20' 2")
Max digging reach on ground	A'	5980mm (19' 7")
Max digging depth	B	3500mm (11' 6")
Max vertical wall digging depth	C	2960mm (9' 9")
Max digging height	D	6070mm (19'11")
Max dumping height	E	4340mm (14' 3")
Min swing radius	F	2350mm (7' 9")
Boom swing radius(left/right)		80° /50°
Bucket digging force	SAE	37.7 kN
		3850 kgf
		8490 lbf
	ISO	42.4 kN
		4330 kgf
		9550 lbf
Arm digging force	SAE	28.4 kN
		2900 kgf
		6390 lbf
	ISO	31.9 kN
		3260 kgf
		7190 lbf