

# TRANSPORTATION

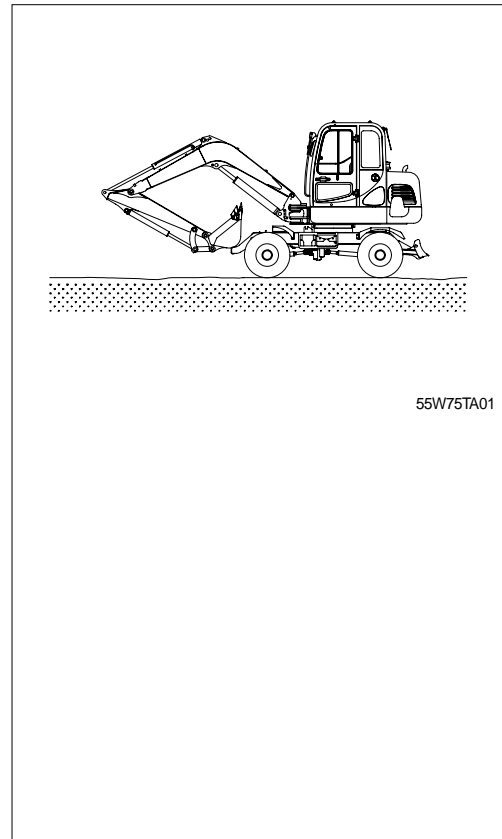
## 1. ROAD TRAVELING

As this machine can run at the maximum speed of 30.5km/h, it is not necessary to transport the machine on trailer in a short distance.

But the transportation by the trailer is convenient in a long distance.

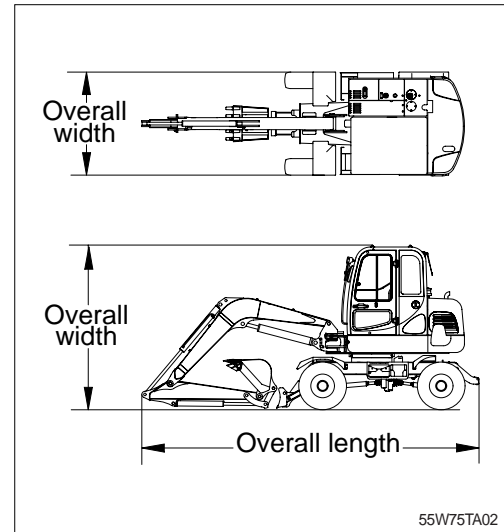
If it is necessary to travel on a road, observe the followings.

- 1) Comply with regulations regarding this machine for the sake of safety.
- 2) Perform daily inspection before starting the machine.
- 3) Cross the bridge after checking that it will safely support the machine weight. If the bridge can not support, a detour must be prepared or the bridge must be reinforced.
- 4) When traveling for a long distance, stop every hour to allow tires and other components to cool down and check any abnormality.
- 5) Drive with the bucket empty.



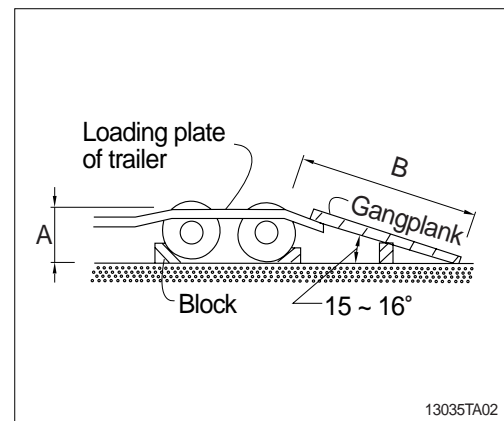
## 2. PREPARATION FOR TRANSPORTATION

- 1) When transporting the machine, observe the various road rules, road transportation vehicle laws and vehicle limit ordinances, etc.
- 2) Select proper trailer after confirming the weight and dimension from the chapter 2, specification.
- 3) Check the whole route such as the road width, the height of bridge and limit of weight and etc., which will be passed.
- 4) Get the permission from the related authority if necessary.
- 5) Prepare suitable capacity of trailer to support the machine.



- 6) Prepare gangplank for safe loading referring to the below table and illustration.

A	B
1.0	3.65 ~ 3.85
1.1	4.00 ~ 4.25
1.2	4.35 ~ 4.60
1.3	4.75 ~ 5.00
1.4	5.10 ~ 5.40
1.5	5.50 ~ 5.75



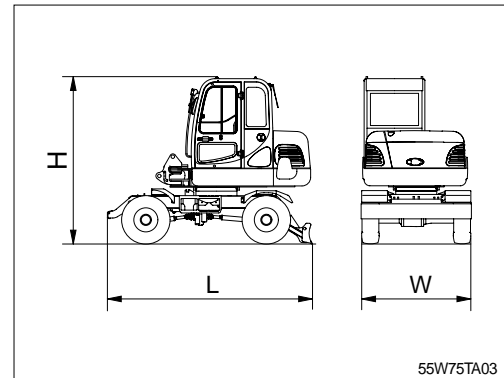
### 3. DIMENSION AND WEIGHT

#### 1) ROBEX 55W-7

##### (1) Base machine

Mark	Description	Unit	Specification
L	Length	mm(ft-in)	3580(11' 9")
H	Height	mm(ft-in)	2850( 9' 4")
Wd	Width	mm(ft-in)	1925( 6' 4")
Wt	Weight	kg(lb)	4710(10390)

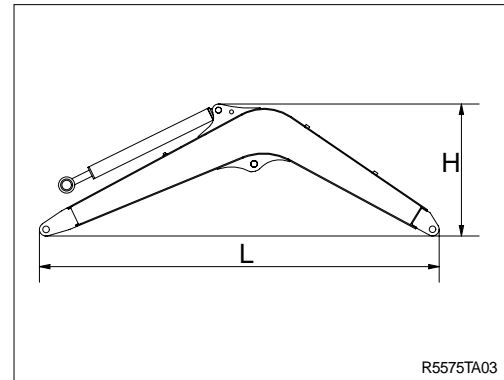
※ With 200kg (440lb) counterweight.



##### (2) Boom assembly

Mark	Description	Unit	Specification
L	Length	mm(ft-in)	3120(10' 3")
H	Height	mm(ft-in)	1140( 3' 9")
W	Width	mm(ft-in)	250( 0'10")
Wt	Weight	kg(lb)	310(680)

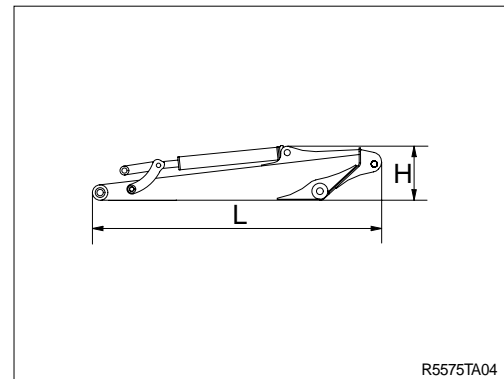
※ 3.0m(9'10") boom with arm cylinder(Included piping and pins).



##### (3) Arm assembly

Mark	Description	Unit	Specification
L	Length	mm(ft-in)	2130( 6'12")
H	Height	mm(ft-in)	450( 1' 6")
W	Width	mm(ft-in)	170( 0' 7")
Wt	Weight	kg(lb)	210(460)

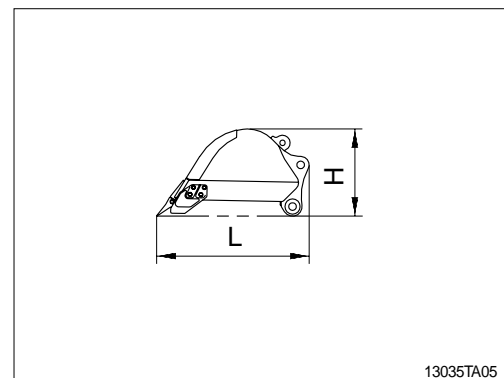
※ 1.6m(5' 3") arm with bucket cylinder(Included linkage and pins).



##### (4) Bucket assembly

Mark	Description	Unit	Specification
L	Length	mm(ft-in)	1020( 3' 4")
H	Height	mm(ft-in)	570( 1'10")
W	Width	mm(ft-in)	740( 2' 5")
Wt	Weight	kg(lb)	170(380)

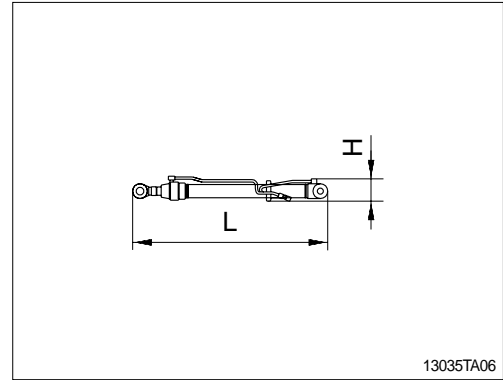
※ 0.18m<sup>3</sup>(0.24yd<sup>3</sup>) SAE heaped bucket(Included tooth and side cutters).



**(5) Boom cylinder**

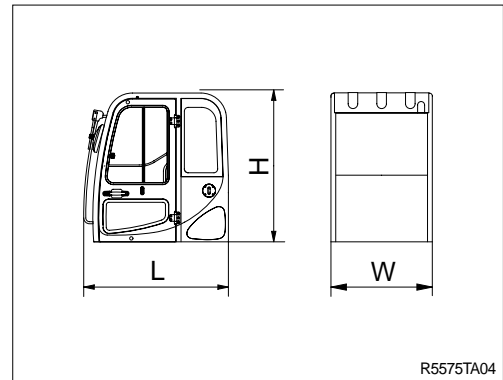
Mark	Description	Unit	Specification
L	Length	mm(ft-in)	1210( 3'12")
H	Height	mm(ft-in)	150( 0' 6")
W	Width	mm(ft-in)	280( 0'11")
Wt	Weight	kg(lb)	55(120)

※ Included piping.



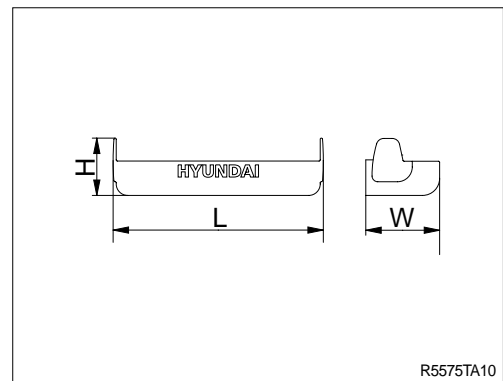
**(6) Cab assembly**

Mark	Description	Unit	Specification
L	Length	mm(ft-in)	1510( 4'12")
H	Height	mm(ft-in)	1560( 5' 2")
W	Width	mm(ft-in)	1060( 3' 6")
Wt	Weight	kg(lb)	280(620)



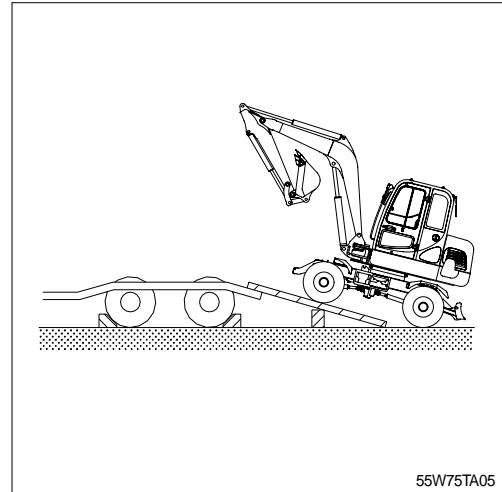
**(7) Counterweight**

Mark	Description	Unit	Specification
L	Length	mm(ft-in)	1830( 6' 0")
H	Height	mm(ft-in)	500( 1' 8")
W	Width	mm(ft-in)	600( 1'12")
Wt	Weight	kg(lb)	200(440)

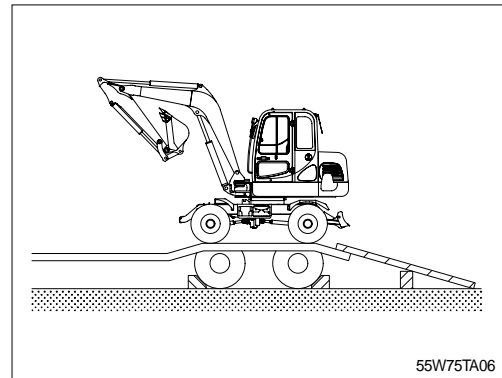


## 4. LOADING THE MACHINE

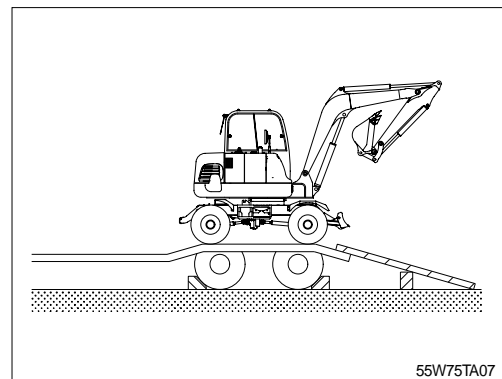
- 1) Load and unload the machine on a flat ground.
- 2) Use the gangplank with sufficient length, width, thickness and gradient.
- 3) Place block tires of the truck and the trailer not to move the trailer.
- 4) Place the swing lock device to the **LOCK** position before fixing the machine at the bed of trailer and confirm if the machine parallels the bed of trailer.
- 5) Drive straight and depress the acceleration pedal slowly on the gangplank with the two speed switch positioned as low speed.



- 6) Do the following after loading the machine to the trailer.
  - (1) Stop loading when the machine is located horizontally with the rear wheel of trailer.



- (2) Place the swing lock device to the **LOCK** position after the swing the machine 180 degree.



(3) Lower the working equipment gently after the location is determined.

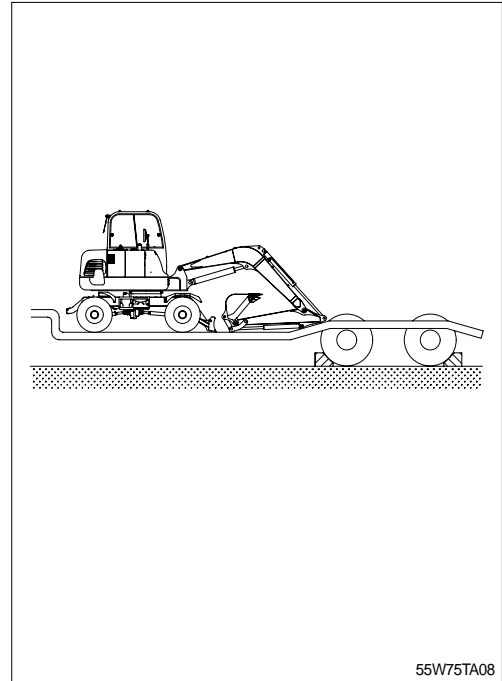
※ Place rectangular timber under the bucket cylinder to prevent the damage of it during transportation.

▲ Be sure to keep the travel speed switch on the low speed while loading and unloading the machine.

▲ Avoid using the working equipment for loading and unloading since it will be very dangerous.

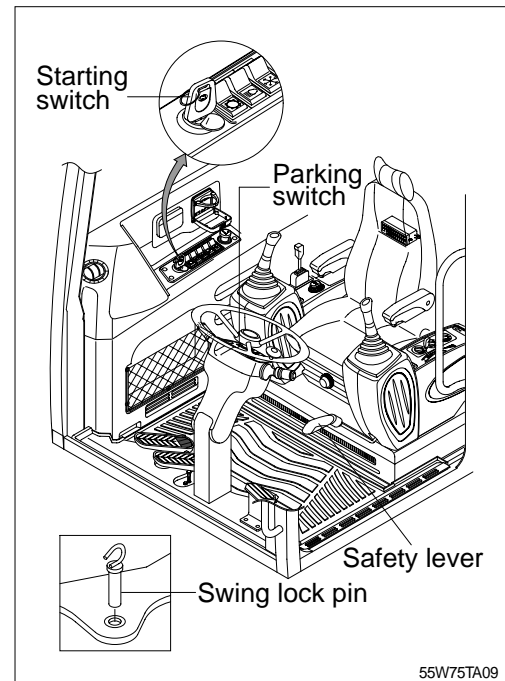
▲ Do not operate any other device when loading.

▲ Be careful on the boundary place of loading plate or trailer as the balance of machine will abruptly be changed on the point.

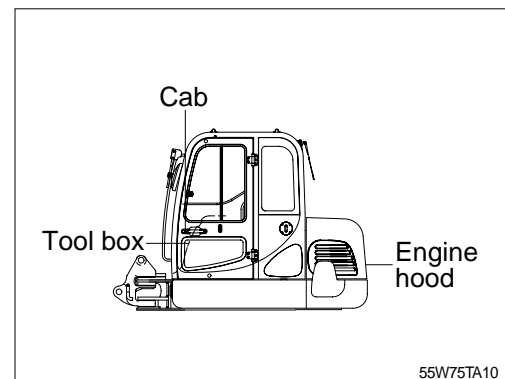


## 5. FIXING THE MACHINE

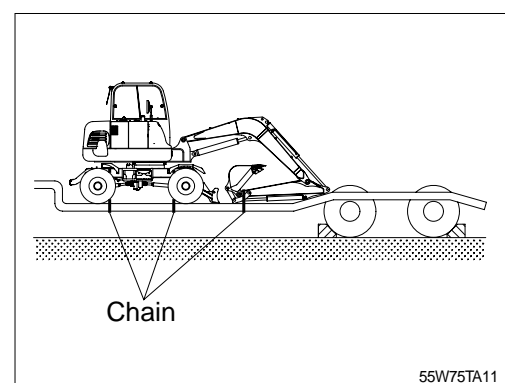
- 1) Place the swing lock pin on the LOCK position.
- 2) Place the parking switch to the parking position.
- 3) Keep the safety lever on the SAFETY position.
- 4) Turn OFF all the switches and remove the key.



- 5) Secure all locks.



- 6) Place timber underneath of the tires and fix firmly with wire rope to prevent the machine from moving forward, backward, right or left.



## 6. LOADING AND UNLOADING BY CRANE

- 1) Check the weight, length, width and height of the machine referring to the chapter 2, specification when you are going to hoist the machine.
- 2) Use long wire rope and stay to keep the distance with the machine as it should avoid touching with the machine.
- 3) Put a rubber plate contact with wire rope and machine to prevent damage.
- 4) Place crane on the proper place.
- 5) Install the wire rope and stay like the illustration.

- ⚠ **Make sure wire rope is proper size.**
- ⚠ **Place the safety lever to LOCK position to prevent the machine moving when hoisting the machine.**
- ⚠ **The wrong hoisting method or installation of wire rope can cause damage to the machine.**
- ⚠ **Do not load abruptly.**
- ⚠ **Keep area clear of personnel.**

