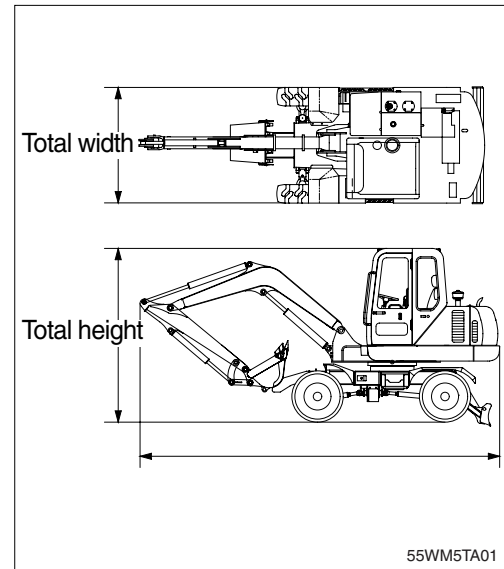


## 2. PREPARATION FOR TRANSPORTATION

- 1) When transporting the machine, observe the various road rules, road transportation vehicle laws and vehicle limit ordinances, etc.
- 2) Select proper trailer after confirming the weight and dimension from the chapter 2, specification.
- 3) Check the whole route such as the road width, the height of bridge and limit of weight and etc., which will be passed.
- 4) Get the permission from the related authority if necessary.
- 5) Prepare suitable capacity of trailer to support the machine.



- 6) Prepare gangplank for safe loading referring to the below table and illustration.

| A   | B           |
|-----|-------------|
| 1.0 | 3.65 ~ 3.85 |
| 1.1 | 4.00 ~ 4.25 |
| 1.2 | 4.35 ~ 4.60 |
| 1.3 | 4.75 ~ 5.00 |
| 1.4 | 5.10 ~ 5.40 |
| 1.5 | 5.50 ~ 5.75 |

