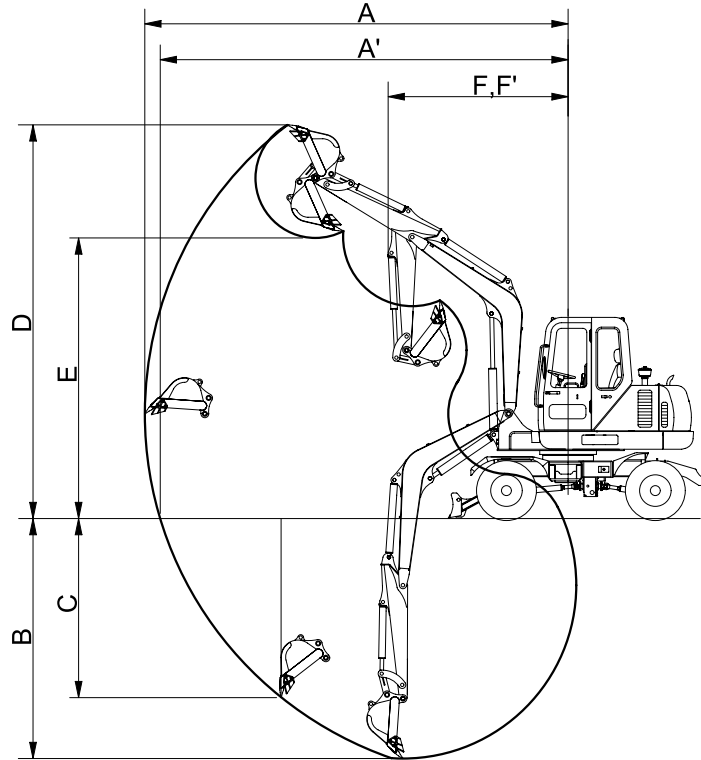


### 3. WORKING RANGE

#### 2.84m(9' 4") ONE PIECE BOOM



55NW2SP03

Description		1.6m(5' 3") Arm	
Max digging reach	A	5985mm (19' 8")	
Max digging reach on ground	A'	5755mm (18' 11")	
Max digging depth	B	3420mm (11' 3")	
Max vertical wall digging depth	C	2525mm ( 8' 3")	
Max digging height	D	5555mm (18' 3")	
Max dumping height	E	3960mm (13' 0")	
Min swing radius	Front	F	2540mm ( 8' 4")
	80° Boom swing	F'	2060mm ( 6' 9")
Boom offset angle(Left/Right)		80° / 50°	
bucket digging force	SAE	32 kN	
		3273 kgf	
		7220 lbf	
	ISO	35 kN	
		3573 kgf	
		7877 lbf	
Arm crowd force	SAE	22 kN	
		2236 kgf	
		4930 lbf	
	ISO	22.2 kN	
		2268 kgf	
		5000 lbf	