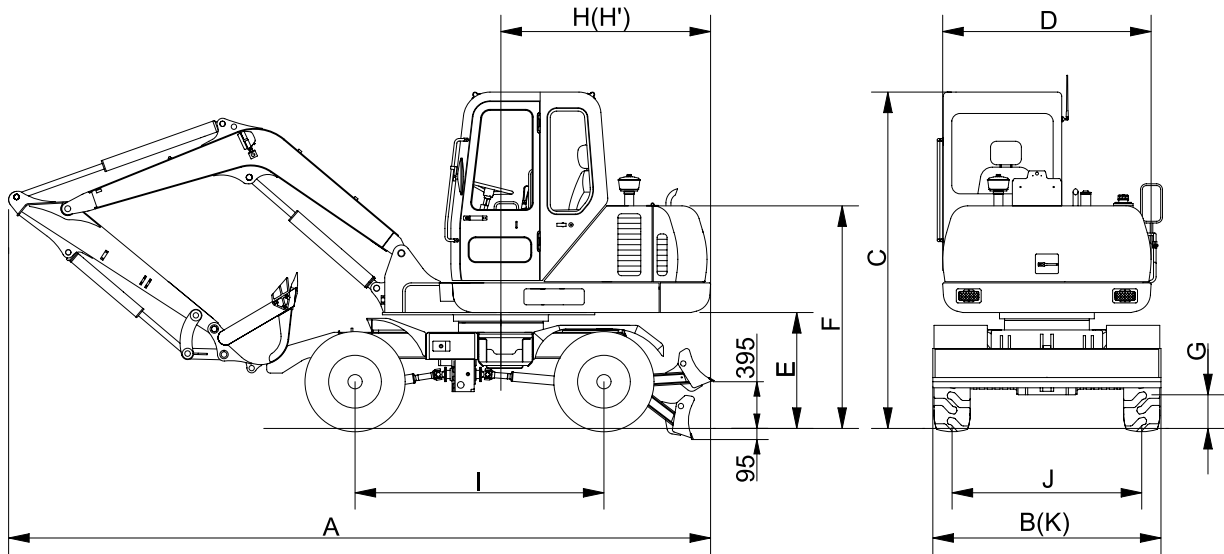


## 2. SPECIFICATIONS

### 2.84m(9' 4") ONE PIECE BOOM, 1.6m(5' 3") ARM AND REAR DOZER BLADE



55NW2SP02

| Description                            |      | Unit                              | Specification |
|--|------|-----------------------------------|---------------|
| Operating weight                       |      | kg(lb)                            | 5140(11330)   |
| Bucket capacity(PCSA heaped), standard |      | m <sup>3</sup> (yd <sup>3</sup> ) | 0.18(0.24)    |
| Overall length                         | A    | mm(ft-in)                         | 5955(19' 6")  |
| Overall width                          | B    |                                   | 1925( 6' 4")  |
| Overall height                         | C    |                                   | 2840( 9' 4")  |
| Superstructure width                   | D    |                                   | 1758( 5' 9")  |
| Ground clearance of counterweight      | E    |                                   | 980( 3' 3")   |
| Engine cover height                    | F    |                                   | 1880( 6' 2")  |
| Minimum ground clearance               | G    |                                   | 290( 11' 4")  |
| Rear-end distance                      | H    |                                   | 1770( 5' 10") |
| Rear-end swing radius                  | H'   |                                   | 1770( 5' 10") |
| Wheel base                             | I    |                                   | 2100( 6' 11") |
| Tread                                  | J    |                                   | 1600( 5' 3")  |
| Dozer blade width                      | K    |                                   | 1925( 6' 4")  |
| Travel speed                           | Low  |                                   | km/hr(mph)    |
|  | High | 27.0(16.5)                        |               |
| Swing speed                            |      | rpm                               | 10.0          |
| Gradeability                           |      | Degree(%)                         | 31(60)        |