

5. LOADING AND UNLOADING BY CRANE

- 1) Check the weight, length, width and height of the machine referring to the chapter 2, specification when you are going to hoist the machine.
- 2) Use long wire rope and stay to keep the distance with the machine as it should avoid touching with the machine.
- 3) Put a rubber plate contact with wire rope and machine to prevent damage.
- 4) Place crane on the proper place.
- 5) Install the wire rope and stay like the illustration.

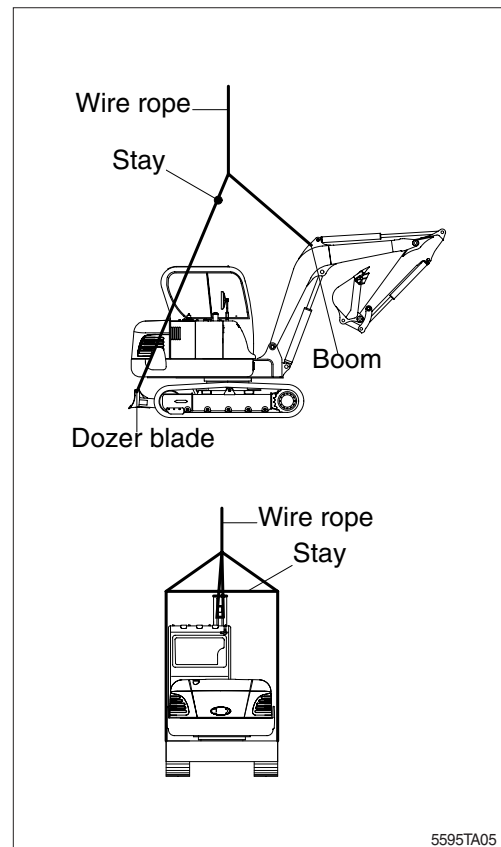
▲ Make sure wire rope is proper size.

▲ Place the safety lever to LOCK position to prevent the machine moving when hoisting the machine.

▲ The wrong hoisting method or installation of wire rope can cause damage to the machine.

▲ Do not load abruptly.

▲ Keep area clear of personnel.



5595TA05