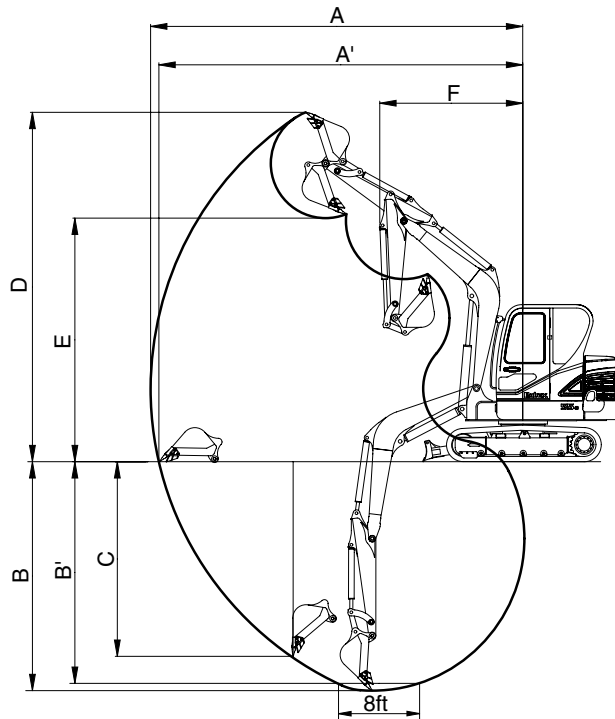


### 3. WORKING RANGE

#### 1) 3.0 m (9' 10") MONO BOOM WITH BOOM SWING SYSTEM



5592SP03

Description		1.6 m (5' 3") Arm
Max digging reach	A	6150 mm (25' 5")
Max digging reach on ground	A'	6010 mm (24'11")
Max digging depth	B	3820 mm (16' 2")
Max digging depth (8ft level)	B'	3420 mm (15' 4")
Max vertical wall digging depth	C	3200 mm (15' 3")
Max digging height	D	5780 mm (26' 7")
Max dumping height	E	4050 mm (18' 7")
Min swing radius	F	2350 mm ( 8' 8")
Boom swing radius (left/right)		80°/50°
Bucket digging force	SAE	37.7 kN
		3850 kgf
		8490 lbf
	ISO	42.4 kN
		4330 kgf
		9550 lbf
Arm crowd force	SAE	28.4 kN
		2900 kgf
		6390 lbf
	ISO	31.9 kN
		3260 kgf
		7190 lbf