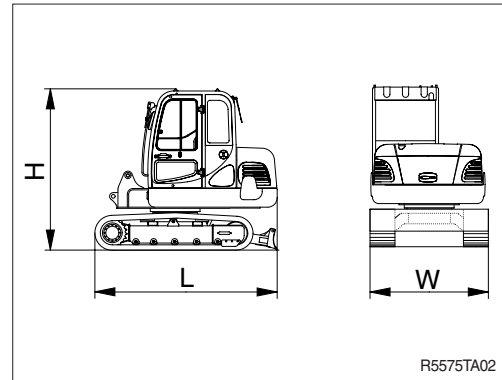


## 2. DIMENSION AND WEIGHT

### 1) Base machine

Mark	Description	Unit	Specification
L	Length	mm(ft-in)	2900( 9' 6")
H	Height	mm(ft-in)	2550( 8' 4")
Wd	Width	mm(ft-in)	1920( 6' 4")
Wt	Weight	kg(lb)	4810(10640)

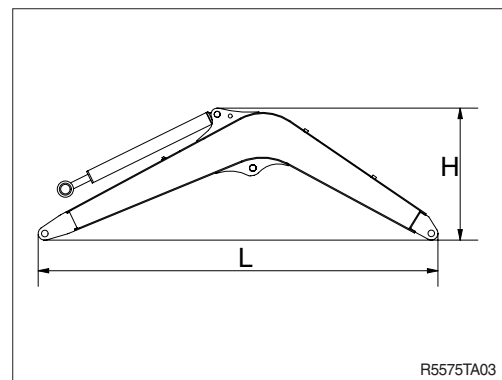
※ With 400mm(16") triple grouser shoes and 210kg (460lb) counterweight.



### 2) Boom assembly

Mark	Description	Unit	Specification
L	Length	mm(ft-in)	3120(10' 3")
H	Height	mm(ft-in)	1140( 3' 9")
W	Width	mm(ft-in)	250( 0'10")
Wt	Weight	kg(lb)	310(680)

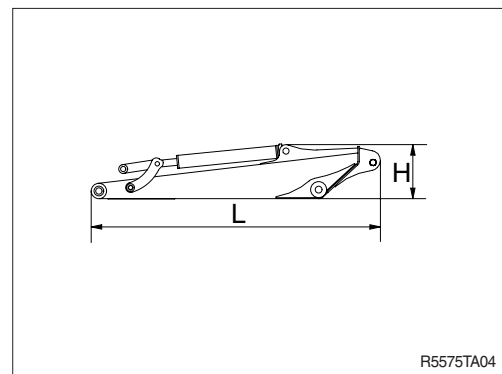
※ 3.0m(9'10") boom with arm cylinder(Included piping and pins).



### 3) Arm assembly

Mark	Description	Unit	Specification
L	Length	mm(ft-in)	2130( 6'12")
H	Height	mm(ft-in)	450( 1' 6")
W	Width	mm(ft-in)	170( 0' 7")
Wt	Weight	kg(lb)	210(460)

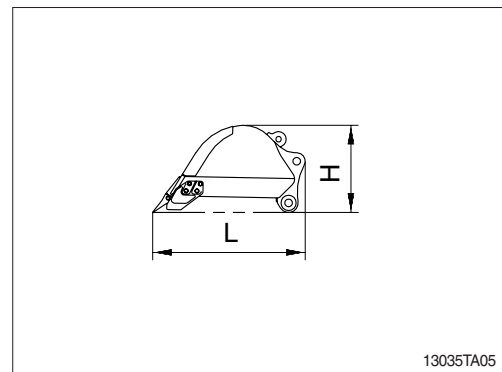
※ 1.6m(5' 3") arm with bucket cylinder(Included linkage and pins).



### 4) Bucket assembly

Mark	Description	Unit	Specification
L	Length	mm(ft-in)	1020( 3' 4")
H	Height	mm(ft-in)	570( 1'10")
W	Width	mm(ft-in)	740( 2' 5")
Wt	Weight	kg(lb)	170(380)

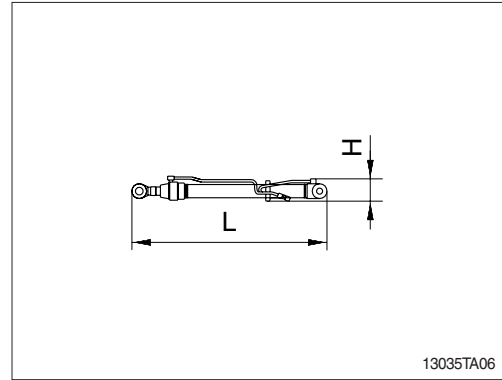
※ 0.18m<sup>3</sup>(0.24yd<sup>3</sup>) SAE heaped bucket(Included tooth and side cutters).



### 5) Boom cylinder

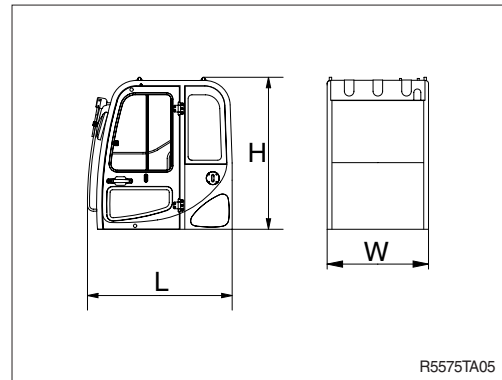
Mark	Description	Unit	Specification
L	Length	mm(ft-in)	1210( 3'12")
H	Height	mm(ft-in)	150( 0' 6")
W	Width	mm(ft-in)	280( 0'11")
Wt	Weight	kg(lb)	55(120)

※ Included piping.



### 6) Cab assembly

Mark	Description	Unit	Specification
L	Length	mm(ft-in)	1510( 4'12")
H	Height	mm(ft-in)	1560( 5' 2")
W	Width	mm(ft-in)	1060( 3' 6")
Wt	Weight	kg(lb)	280(620)



### 7) Counterweight

Mark	Description	Unit	Specification
L	Length	mm(ft-in)	1830( 6' 0")
H	Height	mm(ft-in)	500( 1' 8")
W	Width	mm(ft-in)	600( 1'12")
Wt	Weight	kg(lb)	210(460)

