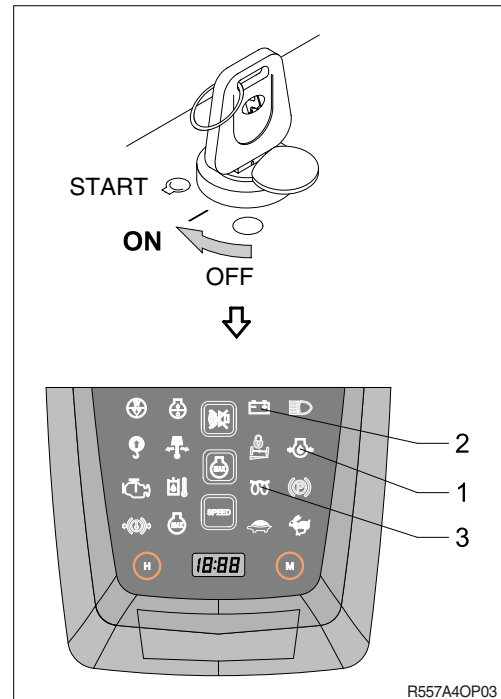


### 3. STARTING AND STOP THE ENGINE

#### 1) CHECK INDICATOR LIGHTS

- (1) Check if all the operating lever is on the neutral position.
- (2) Turn the starting switch to the ON position, and check following.
  - ① If all the lamps light ON and buzzer sounding for 6 seconds.
  - ② Only below lamps will light ON and all the other lights will turn OFF after 2 seconds.
    - Battery charging warning lamp(2)
    - Engine oil pressure warning lamp(1)
  - ③ The preheat pilot lamp(3) will light ON when the coolant temperature is below 10°C .



## 2) STARTING ENGINE

- ※ Sound horn to warn surroundings after checking if there are obstacles in the area.
- ※ Replace the engine oil and fuel referring to recommended oils at page 2-12.
- ※ Fill anti-freeze solution to the coolant as required.

- (1) Check if all levers are on the neutral position.
- (2) Turn the starting switch to ON position.
- (3) Check if the preheat pilot lamp(1) is turned ON.
  - ※ When the preheat pilot lamp is turned ON, the preheating function is actuated within 15 seconds.
  - ※ After the preheat pilot lamp is turned OFF, engine start within 10 seconds.
- (4) Start engine by turning the starting switch to the START position.
- (5) Release the starting switch immediately after starting engine to avoid possible damage to the starting motor.
  - ※ If the engine is started before the preheat pilot lamp goes OFF, it keeps the lamp ON within 15 seconds even after the engine is started.
  - ※ Be aware that battery can be easily discharged after long time with head light, work lamp and air-conditioner turned on together under the condition of the low engine rpm.

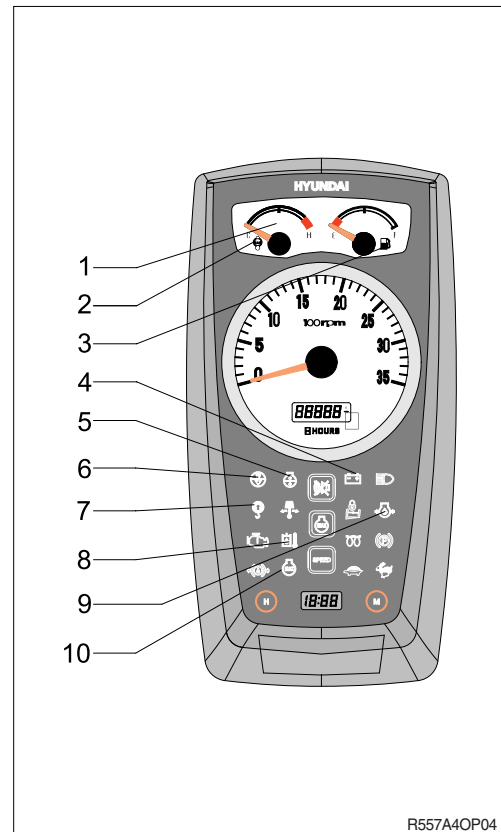


### 3) INSPECTION AFTER ENGINE START

Inspect and confirm the following after engine starts.

- (1) Is the level gauge of hydraulic oil tank in the normal level?
- (2) Are there leakages of oil or water?
- (3) Are all the warning lamps OFF(2~10)?
- (4) Is the indicator of engine coolant temperature gauge(1) in the normal zone?
- (5) Is the engine sound and the color of exhaust gas normal?
- (6) Are the sound and vibration normal?

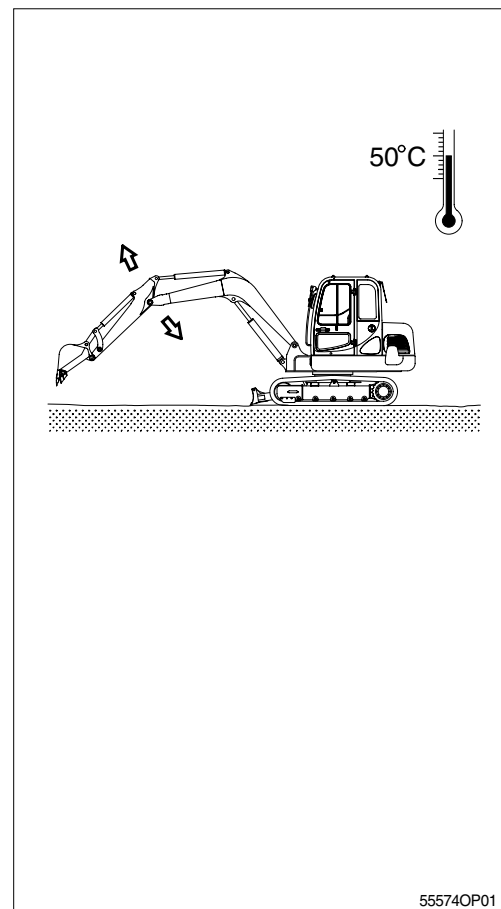
- ※ **Do not increase engine speed quickly after starting, it can damage engine or turbocharger.**
- ※ **If there are problems in the control panel, stop the engine immediately and correct problem as required.**



### 4) WARMING-UP OPERATION

- ※ **The most suitable temperature for the hydraulic oil is about 50° C (122° F).**  
It can cause serious trouble in the hydraulic system by sudden operation when the hydraulic oil temperature is below 25° C (77° F).  
Then temperature must be raised to at least 25° C (77° F) before starting work.

- (1) Run the engine at low idling for 5 minutes.
- (2) Speed up the idling and run the engine at mid-range speed.
- (3) Operate bucket lever for 5 minutes.
  - ※ **Do not operate anything except bucket lever.**
- (4) Run the engine at the high speed and operate the bucket lever and arm lever for 5-10 minutes.
  - ※ **Operate only the bucket lever and arm lever.**
- (5) This warming-up operation will be completed by operation of all cylinders several times, and operation of swing and traveling.
  - ※ **Increase the warming-up operation during winter.**



## 5) TO STOP THE ENGINE

- ※ If the engine is abruptly stopped before it has cooled down, engine life may be greatly shortened. Consequently, do not abruptly stop the engine apart from an emergency.
- ※ In particular if the engine has overheated, do not abruptly stop it but run it at medium speed to allow it to cool gradually, then stop it.

- (1) Down the bucket on the ground then put all the levers in the neutral position.
- (2) Run the engine at low idling speed for about 5 minutes.
- (3) Return the key of starting switch to the OFF position.
- (4) Remove the key to prevent other people using the machine and LOCK safety lever.
- (5) Lock the cab door.

