

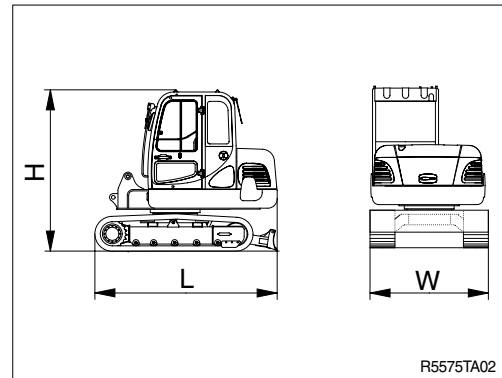
2. DIMENSION AND WEIGHT

1) ROBEX 55-7

(1) Base machine

Mark	Description	Unit	Specification
L	Length	mm(ft-in)	2900(9' 6")
H	Height	mm(ft-in)	2550(8' 4")
Wd	Width	mm(ft-in)	1920(6' 4")
Wt	Weight	kg(lb)	4810(10640)

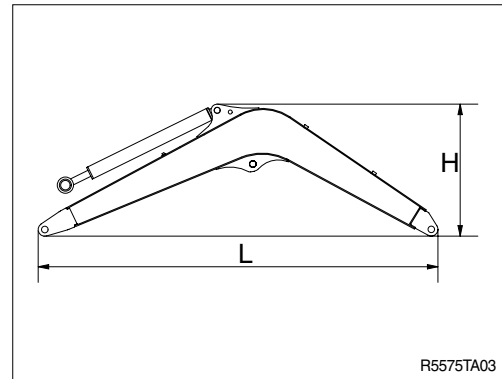
※ With 400mm(16") triple grouser shoes and 210kg (460lb) counterweight.



(2) Boom assembly

Mark	Description	Unit	Specification
L	Length	mm(ft-in)	3120(10' 3")
H	Height	mm(ft-in)	1140(3' 9")
W	Width	mm(ft-in)	250(0'10")
Wt	Weight	kg(lb)	310(680)

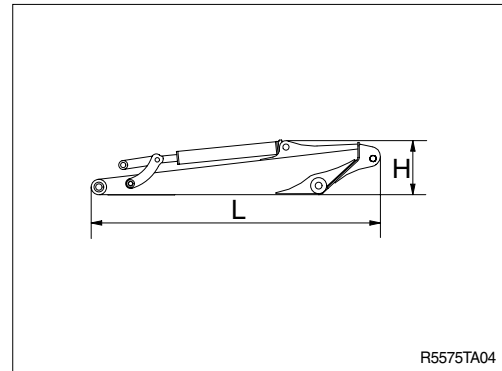
※ 3.0m(9'10") boom with arm cylinder(Included piping and pins).



(3) Arm assembly

Mark	Description	Unit	Specification
L	Length	mm(ft-in)	2130(6'12")
H	Height	mm(ft-in)	450(1' 6")
W	Width	mm(ft-in)	170(0' 7")
Wt	Weight	kg(lb)	210(460)

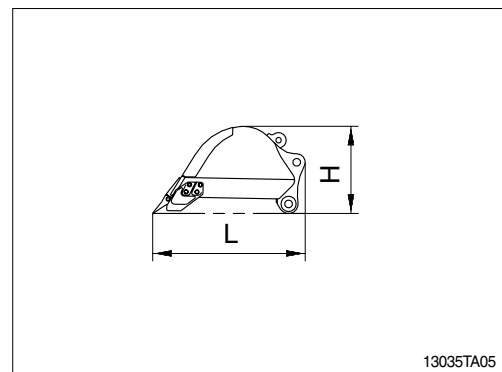
※ 1.6m(5' 3") arm with bucket cylinder(Included linkage and pins).



(4) Bucket assembly

Mark	Description	Unit	Specification
L	Length	mm(ft-in)	1020(3' 4")
H	Height	mm(ft-in)	570(1'10")
W	Width	mm(ft-in)	740(2' 5")
Wt	Weight	kg(lb)	170(380)

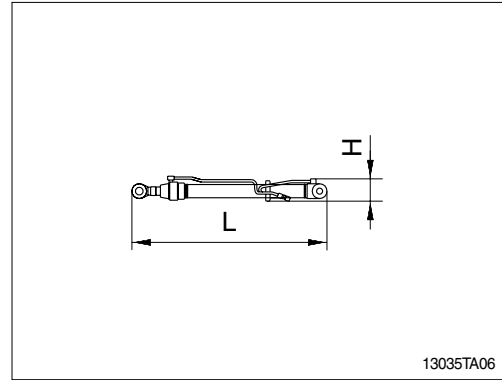
※ 0.18m³(0.24yd³) SAE heaped bucket(Included tooth and side cutters).



(5) Boom cylinder

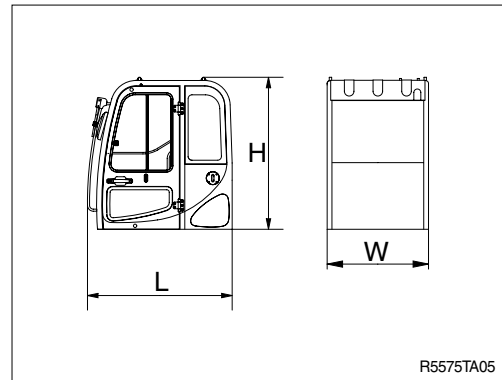
Mark	Description	Unit	Specification
L	Length	mm(ft-in)	1210(3'12")
H	Height	mm(ft-in)	150(0' 6")
W	Width	mm(ft-in)	280(0'11")
Wt	Weight	kg(lb)	55(120)

※ Included piping.



(6) Cab assembly

Mark	Description	Unit	Specification
L	Length	mm(ft-in)	1510(4'12")
H	Height	mm(ft-in)	1560(5' 2")
W	Width	mm(ft-in)	1060(3' 6")
Wt	Weight	kg(lb)	280(620)



(7) Counterweight

Mark	Description	Unit	Specification
L	Length	mm(ft-in)	1830(6' 0")
H	Height	mm(ft-in)	500(1' 8")
W	Width	mm(ft-in)	600(1'12")
Wt	Weight	kg(lb)	210(460)

