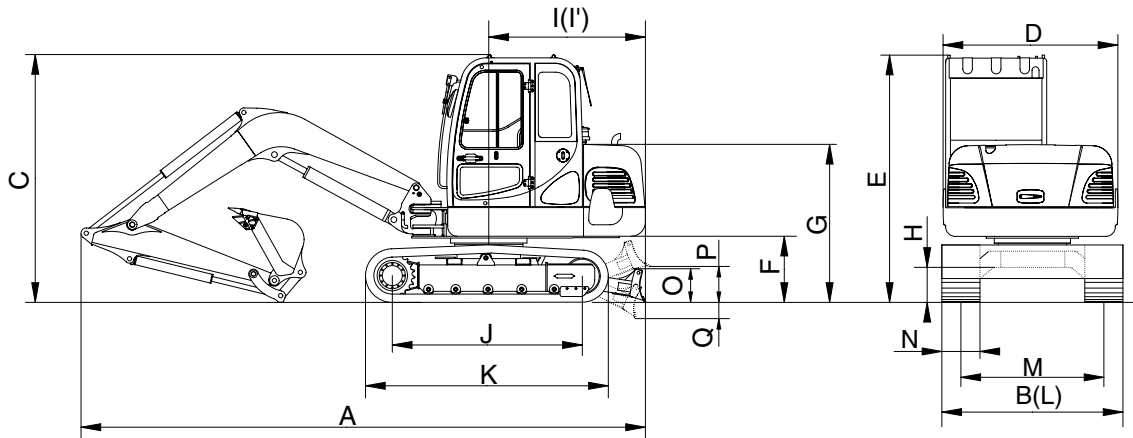


2. SPECIFICATIONS

1) 3.0m(9'10") MONO BOOM, 1.6m(5' 3") ARM, WITH BOOM SWING POST



R5572SP02

Description		Unit	Specification	
Operating weight		kg(lb)	5700(12570)	
Bucket capacity(SAE heaped), standard		m ³ (yd ³)	0.18(0.24)	
Overall length	A	mm(ft-in)	5900(19' 4")	
Overall width, with 400mm shoe	B		1920(6' 4")	
Overall height	C		2550(8' 4")	
Superstructure width	D		1830(6' 0")	
Overall height of cab	E		2550(8' 4")	
Ground clearance of counterweight	F		690(2' 3")	
Engine cover height	G		1650(5' 5")	
Minimum ground clearance	H		380(1' 3")	
Rear-end distance	I		1640(5' 5")	
Rear-end swing radius	I'		1650(5' 5")	
Distance between tumblers	J		1990(6' 6")	
Undercarriage length	K		2530(8' 4")	
Undercarriage width	L		1900(6' 3")	
Track gauge	M		1500(4'11")	
Track shoe width, standard	N		400(16")	
Height of blade	O		350(1' 2")	
Ground clearance of blade up	P		420(1' 5")	
Depth of blade down	Q		440(1' 5")	
Travel speed(Low/high)			km/hr(mph)	2.2/4.1(1.4/2.5)
Swing speed			rpm	9.6
Gradeability		Degree(%)	35(70)	
Ground pressure(400mm shoe)		kgf/cm ² (psi)	0.33(4.69)	