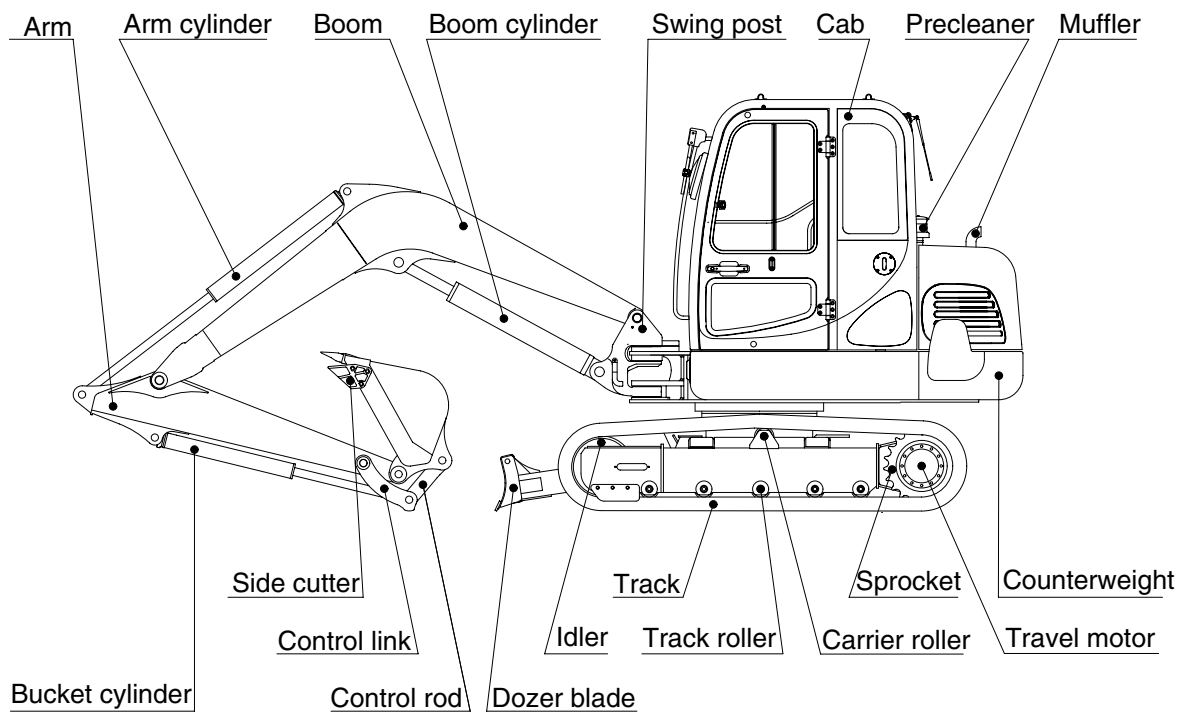
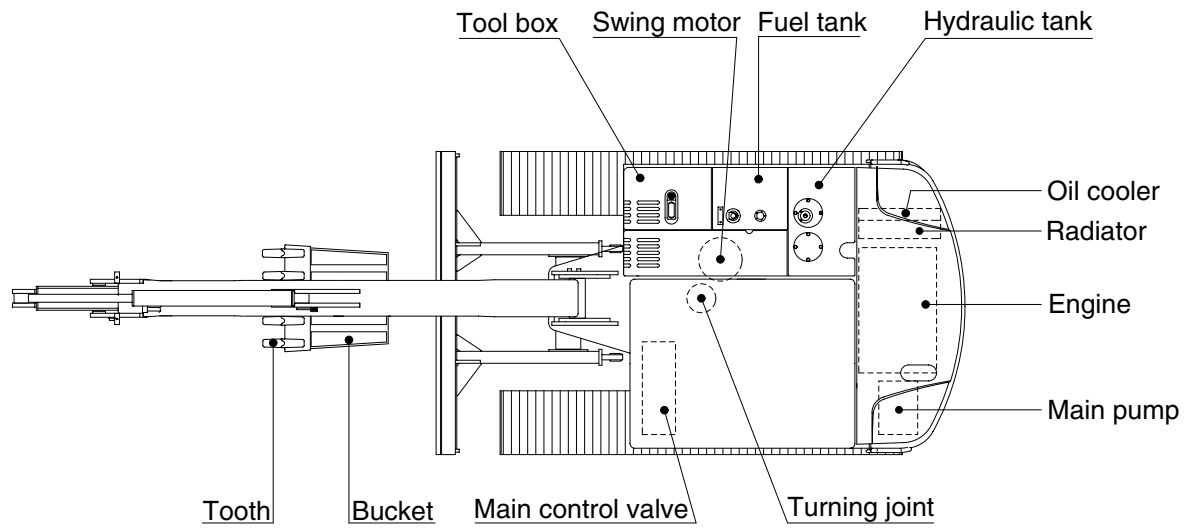


SPECIFICATIONS

1. MAJOR COMPONENT



R5572SP01