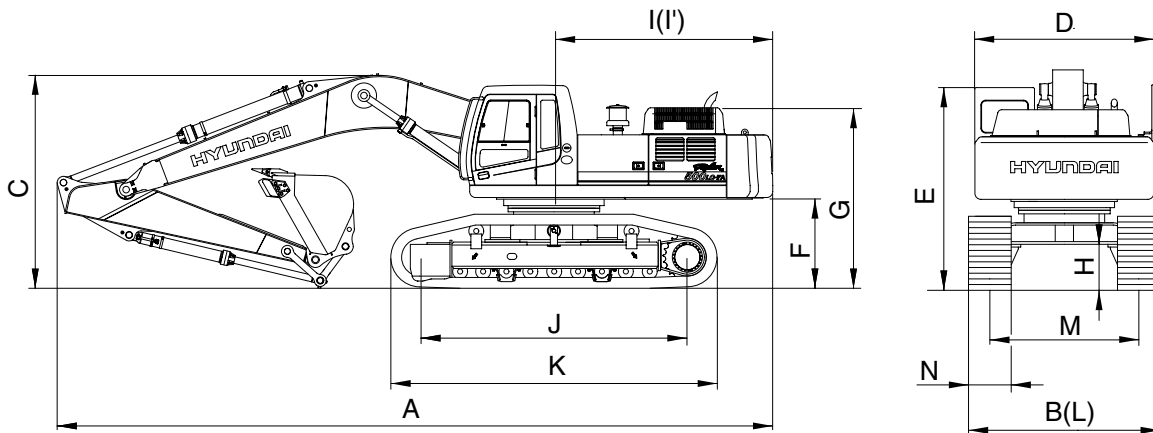


2. SPECIFICATIONS

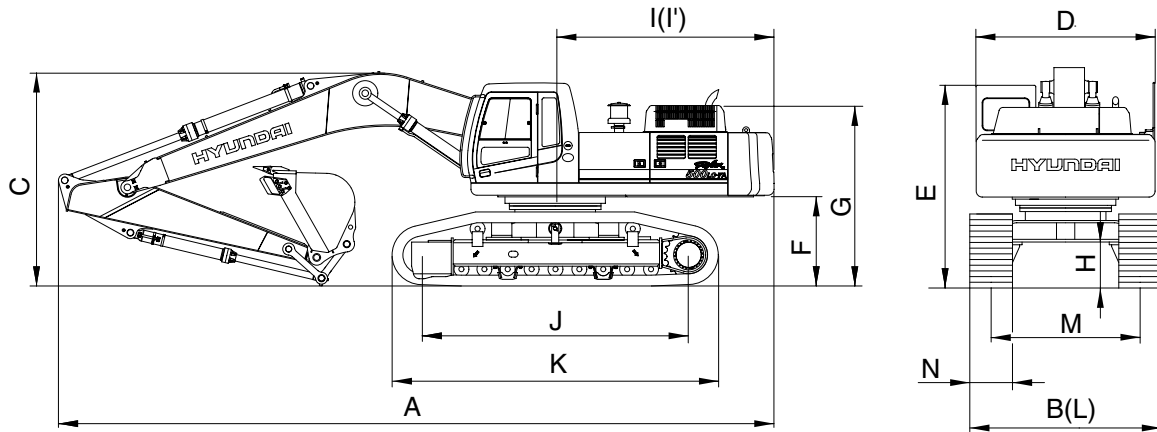
· 7.06m(23' 2") BOOM, 3.38m(11' 1") ARM



5007A2SP02

Description		Unit	Specification
Operating weight		kg(lb)	48800(107580)
Bucket capacity(SAE heaped), standard		m ³ (yd ³)	2.15(2.81)
Overall length	A	mm(ft-in)	12030(39' 6")
Overall width, with 600mm shoe (Transport position/Working position)	B		2990/3540(9'10"/11'7")
Overall height	C		3850(12' 8")
Superstructure width	D		2980(9' 9")
Overall height of cab	E		3390(11' 2")
Ground clearance of counterweight	F		1500(4'11")
Engine cover height	G		3015(9'11")
Minimum ground clearance	H		770(2' 6")
Rear-end distance	I		3665(12' 0")
Rear-end swing radius	I'		3720(12' 2")
Distance between tumbler	J		4470(14' 8")
Undercarriage length	K		5460(17'11")
Undercarriage width (Transport position/Working position)	L		2980/3540(9' 9"/11' 7")
Track gauge (Transport position/Working position)	M		2380/2940(7'10"/ 9' 8")
Track shoe width, standard	N		600(24")
Travel speed(Low/high)		km/hr(mph)	3.2/5.0(2.0/3.1)
Swing speed		rpm	10.0
Gradeability		Degree(%)	35(70)
Ground pressure(600mm shoe)		kgf/cm ² (psi)	0.84(11.94)

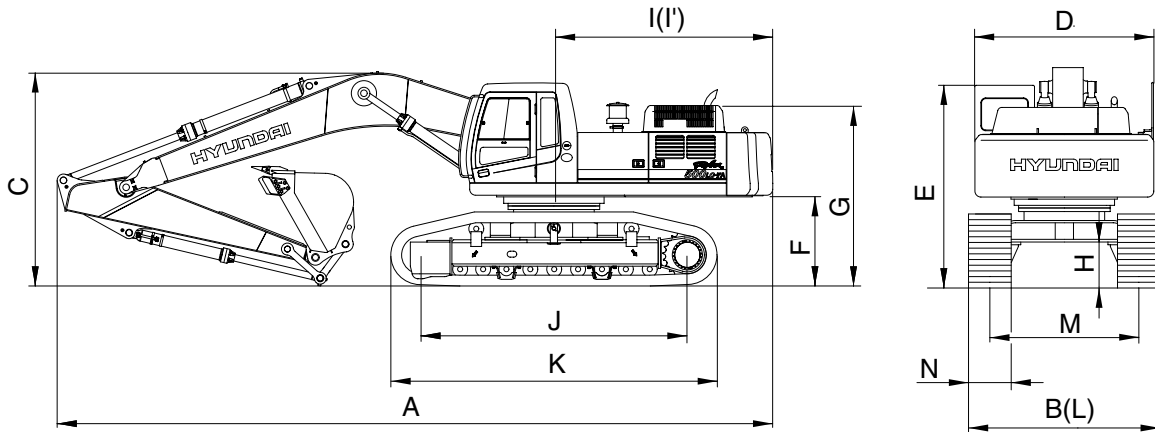
· 6.55m(21' 6") BOOM, 2.4m(7' 10")ARM



5007A2SP02

Description		Unit	Specification
Operating weight		kg(lb)	48570(107100)
Bucket capacity(SAE heaped), standard		m ³ (yd ³)	2.15(2.81)
Overall length	A	mm(ft-in)	11750(38' 7")
Overall width, with 600mm shoe (Transport position/Working position)	B		2990/3540(9'10"/11'7")
Overall height	C		4100(13' 5")
Superstructure width	D		2980(9' 9")
Overall height of cab	E		3390(11' 2")
Ground clearance of counterweight	F		1500(4'11")
Engine cover height	G		3015(9'11")
Minimum ground clearance	H		770(2' 6")
Rear-end distance	I		3665(12' 0")
Rear-end swing radius	I'		3720(12' 2")
Distance between tumbler	J		4470(14' 8")
Undercarriage length	K		5460(17'11")
Undercarriage width (Transport position/Working position)	L		2980/3540(9' 9"/11' 7")
Track gauge (Transport position/Working position)	M		2380/2940(7'10"/ 9' 8")
Track shoe width, standard	N		600(24")
Travel speed(Low/high)		km/hr(mph)	3.2/5.0(2.0/3.1)
Swing speed		rpm	9.0
Gradeability		Degree(%)	35(70)
Ground pressure(600mm shoe)		kgf/cm ² (psi)	0.84(11.94)

· 9.00m(29' 6") BOOM, 5.85m(19' 2") ARM



5007A2SP02

Description		Unit	Specification
Operating weight		kg(lb)	50180(110600)
Bucket capacity(SAE heaped), standard		m ³ (yd ³)	2.15(2.81)
Overall length	A	mm(ft-in)	13770(45' 2")
Overall width, with 600mm shoe (Transport position/Working position)	B		2990/3540(9'10"/11'7")
Overall height	C		5190(17' 0")
Superstructure width	D		2980(9' 9")
Overall height of cab	E		3390(11' 2")
Ground clearance of counterweight	F		1500(4'11")
Engine cover height	G		3015(9'11")
Minimum ground clearance	H		770(2' 6")
Rear-end distance	I		3665(12' 0")
Rear-end swing radius	I'		3720(12' 2")
Distance between tumblers	J		4470(14' 8")
Undercarriage length	K		5460(17'11")
Undercarriage width (Transport position/Working position)	L		2980/3540(9' 9"/11' 7")
Track gauge (Transport position/Working position)	M		2380/2940(7'10"/ 9' 8")
Track shoe width, standard	N		600(24")
Travel speed(Low/high)		km/hr(mph)	3.2/5.0(2.0/3.1)
Swing speed		rpm	9.0
Gradeability		Degree(%)	35(70)
Ground pressure(600mm shoe)		kgf/cm ² (psi)	0.84(11.94)