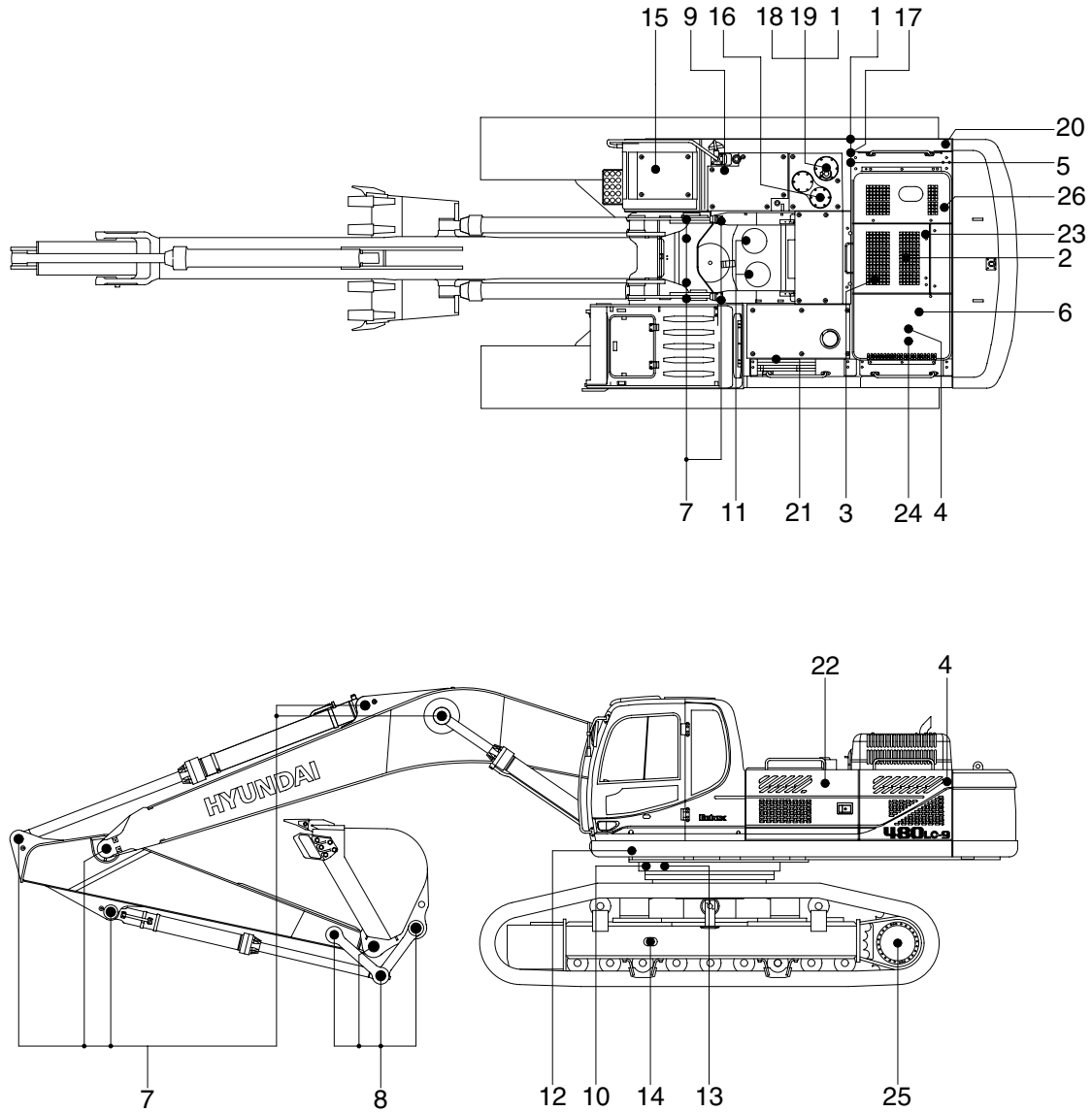


5. MAINTENANCE CHART



48096MA01

Caution

1. Service intervals are based on the hour meter reading.
2. The number of each item shows the lubrication point on the machine.
3. Stop engine while filling oil, and use no open flames.

| Service interval | No. | Description | Service action | Oil symbol | Capacity / (U.S.gal) | Service points No. |
|--------------------|-----|---|----------------|------------|----------------------|--------------------|
| 10 Hours or daily | 1 | Hydraulic oil level | Check, Add | HO | 262 (69.2) | 1 |
| | 2 | Engine oil level | Check, Add | EO | 38 (10.0) | 1 |
| | 4 | Radiator coolant | Check, Add | C | 45 (12) | 1 |
| | 5 | Prefilter (water, element) | Check, Clean | - | - | 1 |
| | 6 | Fan belt tension and damage | Check, Adjust | - | - | 1 |
| | 9 | Fuel tank | Check, Refill | DF | 621 (164) | 1 |
| 50 Hours or weekly | 8 | Bucket linkage pin | Check, Add | PGL | - | 6 |
| | 9 | Fuel tank (water, sediment) | Check, Clean | - | - | 1 |
| | 10 | Swing bearing grease | Check, Add | PGL | - | 3 |
| | 11 | Swing reduction gear case | Check, Add | GO | 5.0 (1.3) | 2 |
| | 14 | Track tension | Check, Adjust | PGL | - | 2 |
| 250 Hours | 7 | Attachment pins & bushing | Check, Add | PGL | - | 11 |
| | 15 | Battery (voltage) | Check, Clean | - | - | 1 |
| | 18 | Air breather element | Replace | - | - | 1 |
| | 21 | Aircon and heater fresh air filter | Check, Clean | - | - | 1 |
| 500 Hours | 2 | Engine oil | Change | EO | 35 (9.2) | 1 |
| | 3 | Engine oil filter | Replace | - | - | 1 |
| | 5 | Prefilter | Replace | - | - | 1 |
| | 22 | Air cleaner element (primary) | Check, Clean | - | - | 1 |
| | 23 | Fuel filter element | Replace | - | - | 1 |
| | 24 | Radiator, oil cooler, charge air cooler | Check, Clean | - | - | 3 |
| | 26 | Water filter(corrosion resister) | Replace | - | - | 1 |
| 1000 Hours | 6 | Fan belt tensioner | Check, Replace | - | - | 1 |
| | 11 | Swing reduction gear case | Change | GO | 5.0 (1.3) | 1 |
| | 12 | Swing reduction gear grease | Replace | PGL | 1.2 (0.3) | 1 |
| | 13 | Swing gear and pinion grease | Change | PGL | 15.4 kg (34 lb) | 1 |
| | 16 | Hydraulic oil return filter | Replace | - | - | 2 |
| | 17 | Drain filter cartridge | Replace | - | - | 1 |
| | 20 | Pilot line filter element | Replace | - | - | 1 |
| | 25 | Travel reduction gear case | Change | GO | 5.0 (1.3) | 2 |
| 2000 Hours | 1 | Hydraulic oil * ¹ | Change | HO | 262 (69.2) | 1 |
| | 4 | Radiator coolant | Change | C | 45 (12) | 1 |
| | 19 | Hydraulic oil suction strainer | Check, Clean | - | - | 1 |
| 5000 Hours | 1 | Hydraulic oil * ² | Change | HO | 262 (69.2) | 1 |
| As required | 21 | Aircon & heater fresh filter | Replace | - | - | 1 |
| | 21 | Aircon & heater recirculation filter | Clean, Replace | - | - | 1 |
| | 22 | Air cleaner element (primary, safety) | Replace | - | - | 2 |

*¹ Conventional hydraulic oil *²Hyundai genuine long life hydraulic oil

※ Oil symbol

Please refer to the recommended lubricants for specification.

DF : Diesel fuel

GO : Gear oil

HO : Hydraulic oil

C : Coolant

PGL : Grease

EO : Engine oil