

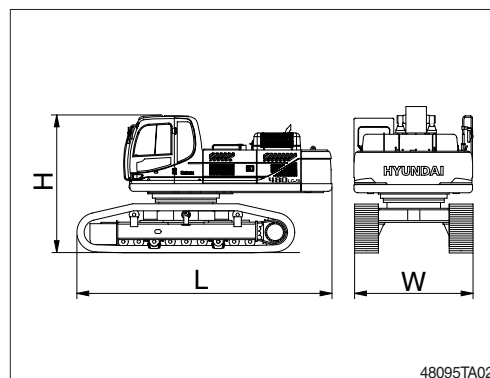
2. DIMENSION AND WEIGHT

1) R480LC-9

(1) Base machine

Mark	Description	Unit	Specification
L	Length	mm (ft-in)	6426 (21' 1")
H	Height	mm (ft-in)	3190 (10' 6")
W	Width	mm (ft-in)	3340 (10' 11")
Wt	Weight	kg (lb)	39000 (85980)

※ With 600 mm (24") triple grouser shoes and 9200 kg (20280 lb) counterweight.

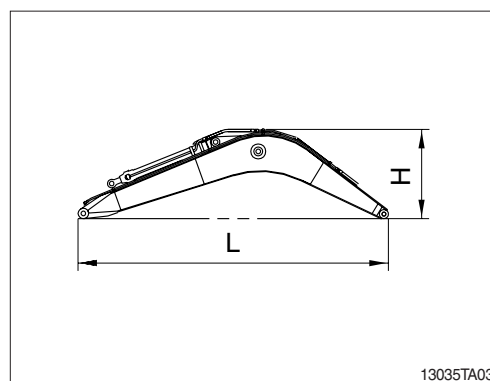


48095TA02

(2) Boom assembly

Mark	Description	Unit	Specification
L	Length	mm (ft-in)	7290 (23' 11")
H	Height	mm (ft-in)	1710 (5' 7")
W	Width	mm (ft-in)	830 (2' 9")
Wt	Weight	kg (lb)	4110 (9060)

※ 7.06 m (23' 2") boom with arm cylinder (included piping and pins).

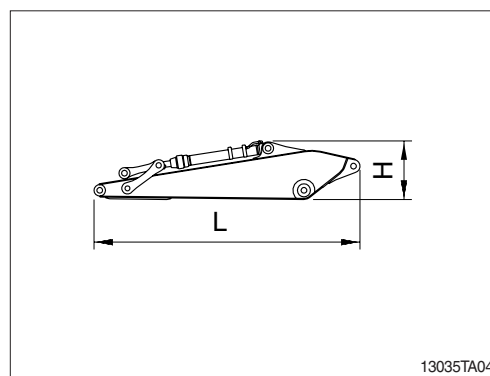


13035TA03

(3) Arm assembly

Mark	Description	Unit	Specification
L	Length	mm (ft-in)	4600 (15' 1")
H	Height	mm (ft-in)	1010 (3' 4")
W	Width	mm (ft-in)	620 (2' 0")
Wt	Weight	kg (lb)	2420 (5340)

※ 3.38 m (11' 0") arm with bucket cylinder (included linkage and pins).

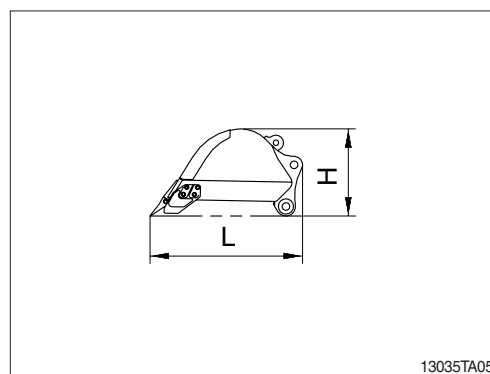


13035TA04

(4) Bucket assembly

Mark	Description	Unit	Specification
L	Length	mm (ft-in)	2090 (6' 10")
H	Height	mm (ft-in)	1240 (4' 1")
W	Width	mm (ft-in)	1760 (5' 6")
Wt	Weight	kg (lb)	1740 (3840)

※ 2.15 m³ (2.81 yd³) SAE heaped bucket (included tooth and side cutters).

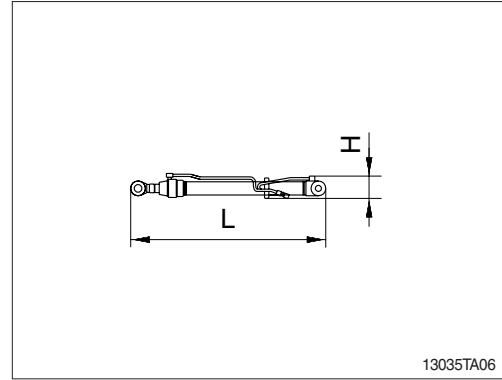


13035TA05

(5) Boom cylinder

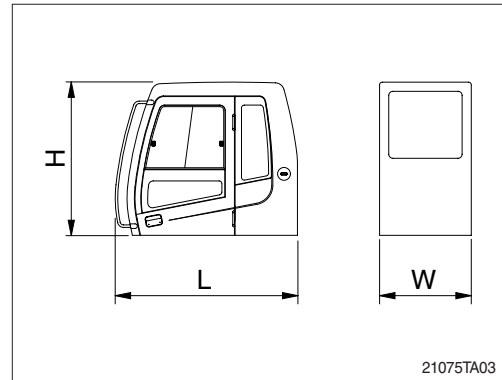
Mark	Description	Unit	Specification
L	Length	mm (ft-in)	2260 (7' 5")
H	Height	mm (ft-in)	305 (1' 0")
W	Width	mm (ft-in)	477 (1' 7")
Wt	Weight	kg (lb)	415 (910) × 2

※ Included piping.



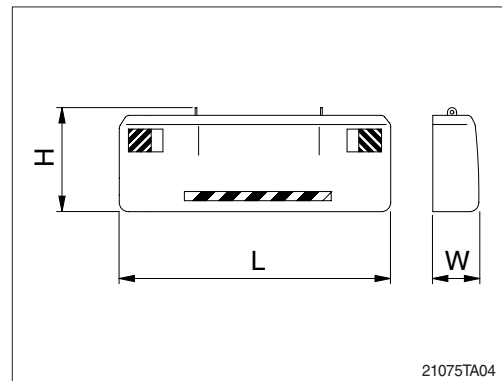
(6) Cab assembly

Mark	Description	Unit	Specification
L	Length	mm (ft-in)	1980 (6' 5")
H	Height	mm (ft-in)	1686 (5' 6")
W	Width	mm (ft-in)	1000 (3' 3")
Wt	Weight	kg (lb)	490 (1080)



(7) Counterweight

Mark	Description	Unit	Specification
L	Length	mm (ft-in)	2980 (9' 9")
H	Height	mm (ft-in)	1148 (3' 9")
W	Width	mm (ft-in)	798 (2' 7")
Wt	Weight	kg (lb)	9200 (20280)



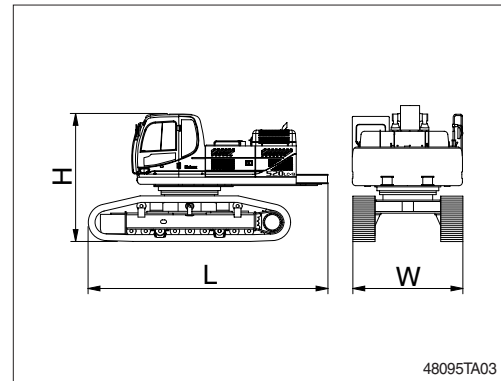
2) R520LC-9

(1) Base machine

Mark	Description	Unit	Specification
L	Length	mm (ft-in)	6190 (20' 4")
H	Height	mm (ft-in)	3400 (11' 2")
W	Width	mm (ft-in)	2990 (9' 10")
Wt	Weight	kg (lb)	31530 (69510)

※ With 600 mm (24") triple grouser shoes.

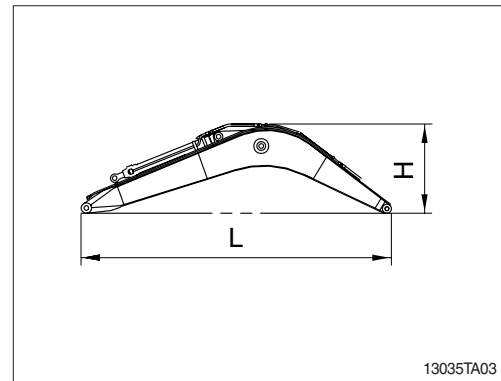
※ Remove cakewalk for transport.



(2) Boom assembly

Mark	Description	Unit	Specification
L	Length	mm (ft-in)	7290 (23' 11")
H	Height	mm (ft-in)	1710 (5' 7")
W	Width	mm (ft-in)	830 (2' 9")
Wt	Weight	kg (lb)	4140 (9130)

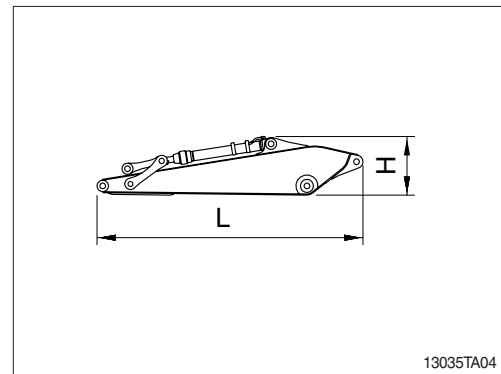
※ 7.06 m (23' 2") boom with arm cylinder (included piping and pins).



(3) Arm assembly

Mark	Description	Unit	Specification
L	Length	mm (ft-in)	4660 (15' 3")
H	Height	mm (ft-in)	1060 (3' 6")
W	Width	mm (ft-in)	620 (2' 0")
Wt	Weight	kg (lb)	2560 (5640)

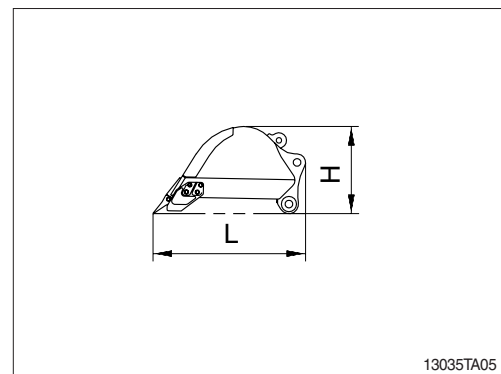
※ 3.38 m (11' 1") arm with bucket cylinder (included linkage and pins).



(4) Bucket assembly

Mark	Description	Unit	Specification
L	Length	mm (ft-in)	2090 (6' 10")
H	Height	mm (ft-in)	1240 (4' 1")
W	Width	mm (ft-in)	1760 (5' 6")
Wt	Weight	kg (lb)	1740 (3840)

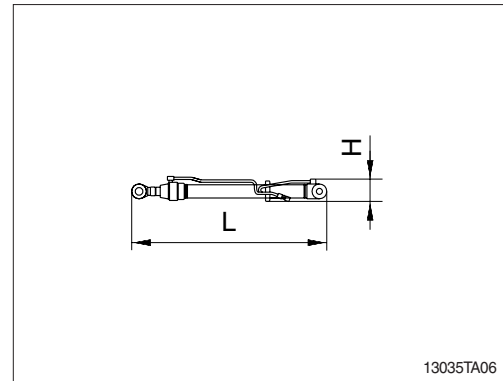
※ 2.15 m³ (2.81 yd³) SAE heaped bucket (included tooth and side cutters).



(5) Boom cylinder

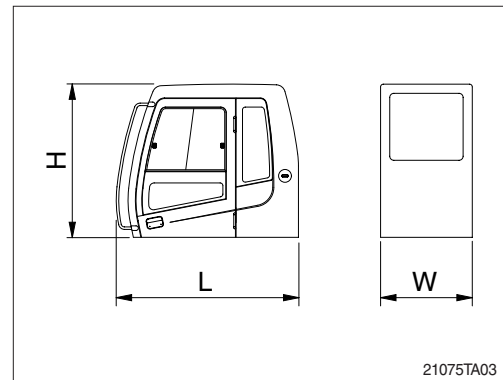
Mark	Description	Unit	Specification
L	Length	mm (ft-in)	2260 (7' 5")
H	Height	mm (ft-in)	305 (1' 0")
W	Width	mm (ft-in)	477 (1' 7")
Wt	Weight	kg (lb)	415 (910) × 2

※ Included piping.



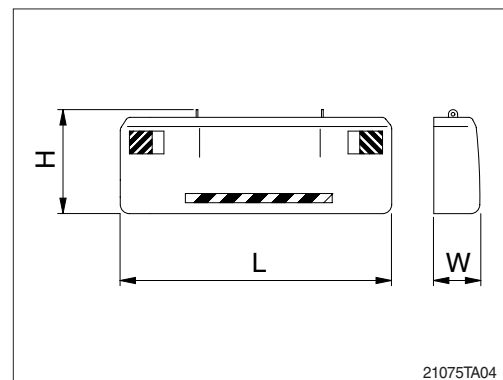
(6) Cab assembly

Mark	Description	Unit	Specification
L	Length	mm (ft-in)	1980 (6' 5")
H	Height	mm (ft-in)	1686 (5' 6")
W	Width	mm (ft-in)	1000 (3' 3")
Wt	Weight	kg (lb)	490 (1080)



(7) Counterweight

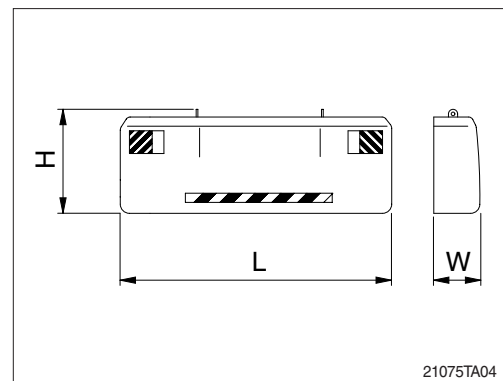
Mark	Description	Unit	Specification
L	Length	mm (ft-in)	2980 (9' 9")
H	Height	mm (ft-in)	1148 (3' 9")
W	Width	mm (ft-in)	798 (2' 7")
Wt	Weight	kg (lb)	10200 (22490)



(8) Counterweight (option)

Mark	Description	Unit	Specification
L	Length	mm (ft-in)	2980 (9' 9")
H	Height	mm (ft-in)	1148 (3' 9")
W	Width	mm (ft-in)	798 (2' 7")
Wt	Weight	kg (lb)	10700 (23590)

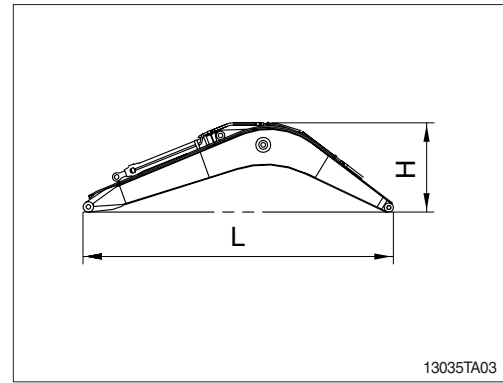
※ 9.0 m Boom, 5.85 m Arm only



(9) Boom assembly (option)

Mark	Description	Unit	Specification
L	Length	mm (ft-in)	6780 (22' 3")
H	Height	mm (ft-in)	1840 (6' 0")
W	Width	mm (ft-in)	830 (2' 9")
Wt	Weight	kg (lb)	4050 (8930)

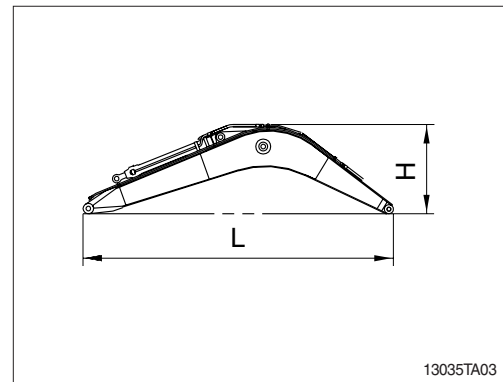
※ 6.55 m (21' 6") boom with arm cylinder (included piping and pins).



(10) Boom assembly (option)

Mark	Description	Unit	Specification
L	Length	mm (ft-in)	9230 (30' 3")
H	Height	mm (ft-in)	1850 (6' 1")
W	Width	mm (ft-in)	830 (2' 9")
Wt	Weight	kg (lb)	4930 (10870)

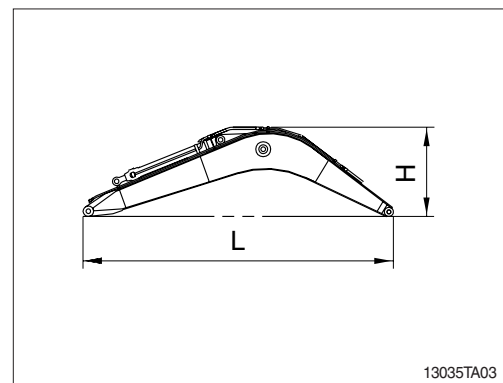
※ 9.00 m (29' 6") boom with arm cylinder (included piping and pins).



(11) Boom assembly (option)

Mark	Description	Unit	Specification
L	Length	mm (ft-in)	10230 (33' 7")
H	Height	mm (ft-in)	1960 (6' 5")
W	Width	mm (ft-in)	830 (2' 9")
Wt	Weight	kg (lb)	5350 (11790)

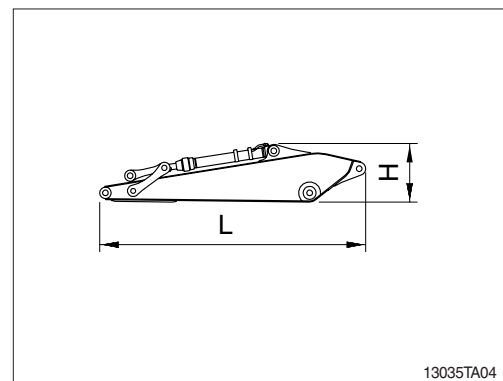
※ 10.0 m (32' 10") boom with arm cylinder (included piping and pins).



(12) Arm assembly (option)

Mark	Description	Unit	Specification
L	Length	mm (ft-in)	3810 (12' 6")
H	Height	mm (ft-in)	1205 (3' 11")
W	Width	mm (ft-in)	620 (2' 0")
Wt	Weight	kg (lb)	2460 (5420)

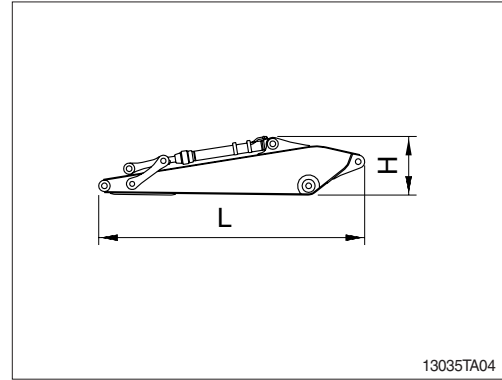
※ 2.4 m (7' 10") arm with bucket cylinder (included linkage and pins).



(13) Arm assembly (option)

Mark	Description	Unit	Specification
L	Length	mm (ft-in)	7100 (23' 4")
H	Height	mm (ft-in)	1055 (3' 6")
W	Width	mm (ft-in)	620 (2' 0")
Wt	Weight	kg (lb)	3130 (6900)

※ 5.85 m (19' 2") arm with bucket cylinder (included linkage and pins).



(14) Arm assembly (option)

Mark	Description	Unit	Specification
L	Length	mm (ft-in)	8100 (26' 7")
H	Height	mm (ft-in)	1060 (3' 6")
W	Width	mm (ft-in)	620 (2' 0")
Wt	Weight	kg (lb)	3440 (7580)

※ 6.85 m (22' 6") arm with bucket cylinder (included linkage and pins).

