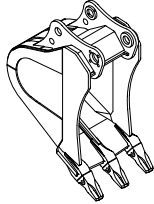
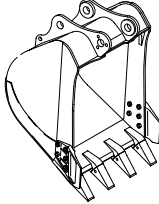
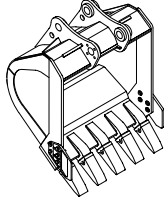
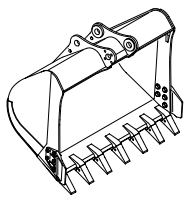


6. BUCKET SELECTION GUIDE

1) ROBEX 480LC-9

(1) GENERAL BUCKET

			
1.00 m ³ SAE heaped bucket	1.38 m ³ SAE heaped bucket	1.84 m ³ SAE 2.15 m ³ SAE heaped bucket	2.79 m ³ SAE 3.03 m ³ SAE heaped bucket

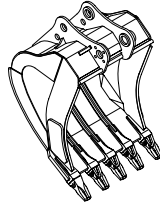
Capacity		Width		Weight	Recommendation					
					7.06 m (23' 2") boom				6.55 m (21' 5") boom	9.0 m (29' 6") boom
SAE heaped	CECE heaped	Without side cutter	With side cutter		2.4 m arm (7' 10")	2.9 m arm (9' 6")	3.38 m arm (11' 1")	4.0 m arm (13' 1")	2.4 m arm (7' 10")	5.85 m arm (19' 2")
1.00 m ³ (1.31 yd ³)	0.90 m ³ (1.17 yd ³)	915 mm (36.0")	1065 mm (41.9")	1220 kg (2690 lb)						
1.38 m ³ (1.80 yd ³)	1.25 m ³ (1.63 yd ³)	1100 mm (43.3")	1250 mm (49.2")	1420 kg (3130 lb)						
1.84 m ³ (2.41 yd ³)	1.65 m ³ (2.16 yd ³)	1140 mm (44.9")	1290 mm (50.8")	1520 kg (3350 lb)						
2.15 m ³ (2.81 yd ³)	1.92 m ³ (2.51 yd ³)	1415 mm (55.7")	1565 mm (61.6")	1740 kg (3840 lb)						
2.79 m ³ (3.65 yd ³)	2.47 m ³ (3.23 yd ³)	1760 mm (69.3")	1910 mm (75.2")	1960 kg (4320 lb)						
3.03 m ³ (3.96 yd ³)	2.67 m ³ (3.49 yd ³)	1890 mm (74.4")	2040 mm (80.3")	2090 kg (4610 lb)						

 Applicable for materials with density of 2000 kg/m³ (3370 lb/yd³) or less

 Applicable for materials with density of 1600 kg/m³ (2700 lb/yd³) or less

 Applicable for materials with density of 1100 kg/m³ (1850 lb/yd³) or less

(2) ROCK-HEAVY DUTY BUCKET



⊙2.20 m³ SAE
 ⊙2.43 m³ SAE
 heaped bucket

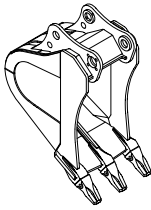
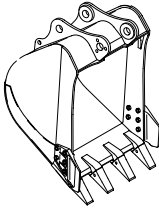
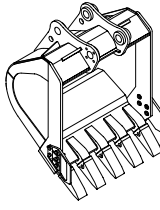
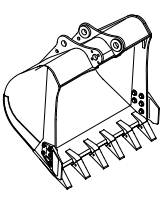
Capacity		Width		Weight	Recommendation				
					7.06 m (23' 2") boom				6.55 m (21' 5") boom
SAE heaped	CECE heaped	Without side cutter	With side cutter		2.4 m arm (7' 10")	2.9 m arm (9' 6")	3.38 m arm (11' 1")	4.0 m arm (13' 1")	2.4 m arm (7' 10")
⊙2.20 m ³ (2.88 yd ³)	1.80 m ³ (2.35 yd ³)	1840 mm (72.4")	-	2295 kg (5060 lb)					
⊙2.43 m ³ (3.18 yd ³)	2.10 m ³ (2.75 yd ³)	1885 mm (74.2")	-	2335 kg (5150 lb)					

⊙ : Rock-heavy duty bucket

- Applicable for materials with density of 2000 kg/m³ (3370 lb/yd³) or less
- Applicable for materials with density of 1600 kg/m³ (2700 lb/yd³) or less
- Applicable for materials with density of 1100 kg/m³ (1850 lb/yd³) or less

2) ROBEX 520LC-9

(1) GENERAL BUCKET

			
★1.00 m ³ SAE heaped bucket	★1.38 m ³ SAE 1.65 m ³ SAE heaped bucket	2.15 m ³ SAE 2.79 m ³ SAE heaped bucket	3.03 m ³ SAE heaped bucket

Capacity		Width		Weight	Recommendation					
					7.06 m (23' 2") boom				6.55 m (21' 6") boom	9.0 m (29' 6") boom
SAE heaped	CECE heaped	Without side cutter	With side cutter		2.4 m arm (7' 10")	2.9 m arm (9' 6")	3.38 m arm (11' 1")	4.0 m arm (13' 1")	2.4 m arm (7' 10")	5.85 m arm (19' 2")
1.65 m ³ (2.16 yd ³)	1.48 m ³ (1.94 yd ³)	1140 mm (44.9")	1290 mm (50.8")	1520 kg (3350 lb)						
2.15 m ³ (2.81 yd ³)	1.92 m ³ (2.51 yd ³)	1415 mm (55.7")	1565 mm (61.6")	1740 kg (3840 lb)						
2.79 m ³ (3.65 yd ³)	2.47 m ³ (3.23 yd ³)	1760 mm (69.3")	1910 mm (75.2")	1960 kg (4320 lb)						
3.03 m ³ (3.96 yd ³)	2.67 m ³ (3.49 yd ³)	1890 mm (74.4")	2040 mm (80.3")	2090 kg (4610 lb)						
★1.00 m ³ (1.31 yd ³)	0.90 m ³ (1.17 yd ³)	915 mm (36.0")	1065 mm (41.9")	1220 kg (2690 lb)						
★1.38 m ³ (1.80 yd ³)	1.25 m ³ (1.63 yd ³)	1100 mm (43.3")	1250 mm (49.2")	1420 kg (3130 lb)						

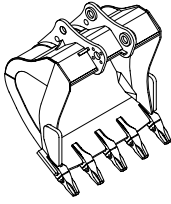
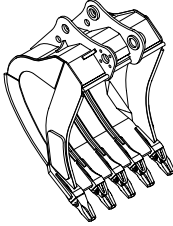
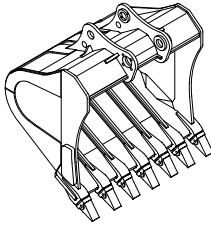
★ : 5.85 m arm only

Applicable for materials with density of 2000 kg/m³ (3370 lb/yd³) or less

Applicable for materials with density of 1600 kg/m³ (2700 lb/yd³) or less

Applicable for materials with density of 1100 kg/m³ (1850 lb/yd³) or less

(2) HEAVY DUTY AND ROCK-HEAVY DUTY BUCKET

		
◆ 2.20 m ³ SAE heaped bucket	◎ 1.80 m ³ SAE heaped bucket	◎ 3.20 m ³ SAE heaped bucket

Capacity		Width		Weight	Recommendation				
					7.06 m (23' 2") boom				6.55 m (21' 6") boom
SAE heaped	CECE heaped	Without side cutter	With side cutter		2.4 m arm (7' 10")	2.9 m arm (9' 6")	3.38 m arm (11' 1")	4.0 m arm (13' 1")	2.4 m arm (7' 10")
◆ 2.20 m ³ (2.88 yd ³)	1.80 m ³ (2.35 yd ³)	1840 mm (72.4")	-	2170 kg (4780 lb)					
◎ 1.80 m ³ (2.35 yd ³)	1.50 m ³ (1.96 yd ³)	1560 mm (61.4")	-	2110 kg (4650 lb)					
◎ 3.20 m ³ (4.19 yd ³)	2.80 m ³ (3.66 yd ³)	2095 mm (82.5")	-	2900 kg (6390 lb)					

◆ : Heavy duty bucket

◎ : Rock-heavy duty bucket

Applicable for materials with density of 2000 kg/m³ (3370 lb/yd³) or less

Applicable for materials with density of 1600 kg/m³ (2700 lb/yd³) or less

Applicable for materials with density of 1100 kg/m³ (1850 lb/yd³) or less