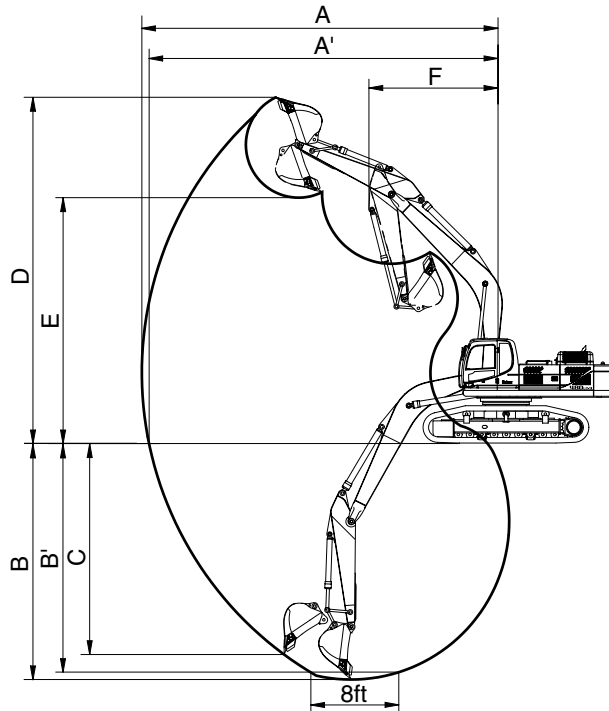


3. WORKING RANGE

1) ROBEX 480LC-9

· 7.06 m (23' 2") BOOM



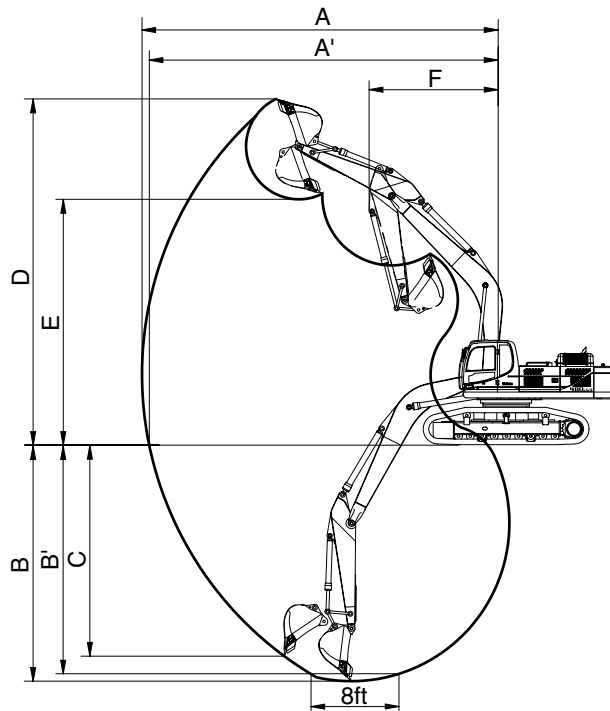
48092SP04

Description		2.40 m (7' 10") Arm	2.90 m (9' 6") Arm	3.38 m (11' 1") Arm	4.00 m (13' 1") Arm
Max digging reach	A	11160 mm (36' 7")	11550 mm (37'11")	12100 mm (39' 8")	12660 mm (41' 6")
Max digging reach on ground	A'	10940 mm (35'11")	11340 mm (37' 2")	11900 mm (39' 1")	12470 mm (40'11")
Max digging depth	B	6830 mm (22' 5")	7330 mm (24' 1")	7810 mm (25' 8")	8430 mm (27' 9")
Max digging depth (8ft level)	B'	6670 mm (21'11")	7190 mm (23' 7")	7670 mm (25' 2")	8320 mm (27' 4")
Max vertical wall digging depth	C	5960 mm (19' 7")	5930 mm (19' 5")	6590 mm (21' 7")	7170 mm (23' 6")
Max digging height	D	10560 mm (34' 8")	10530 mm (34' 7")	10980 mm (36' 0")	11210 mm (36' 9")
Max dumping height	E	7110 mm (23' 4")	7180 mm (23' 7")	7620 mm (25' 0")	7830 mm (25' 8")
Min swing radius	F	5090 mm (16' 8")	4910 mm (16' 1")	4780 mm (15' 8")	4910 mm (16' 1")
Bucket digging force	SAE	216.7 [236.4] kN	219.7 [239.6] kN	220.7 [240.7] kN	222.6 [242.9] kN
		22100 [24110] kgf	22400 [24440] kgf	22500 [24550] kgf	22700 [24760] kgf
		48720 [53150] lbf	49380 [53870] lbf	49600 [54110] lbf	50040 [54590] lbf
	ISO	251.1 [273.9] kN	254.0 [277.1] kN	255.0 [278.2] kN	256.9 [280.3] kN
		25600 [27930] kgf	25900 [28250] kgf	26000 [28360] kgf	26200 [28580] kgf
		56440 [61570] lbf	57100 [62290] lbf	57320 [62530] lbf	57760 [63010] lbf
Arm crowd force	SAE	276.6 [301.7] kN	224.6 [245.0] kN	191.2 [208.6] kN	170.6 [186.2] kN
		28200 [30760] kgf	22900 [24980] kgf	19500 [21270] kgf	17400 [18980] kgf
		62170 [67820] lbf	50490 [55080] lbf	42990 [46900] lbf	38360 [41850] lbf
	ISO	290.3 [316.7] kN	234.4 [255.7] kN	199.1 [217.2] kN	176.5 [192.6] kN
		29600 [32290] kgf	23900 [26070] kgf	20300 [22150] kgf	18000 [19640] kgf
		65260 [71190] lbf	52690 [57480] lbf	44750 [48820] lbf	39680 [43290] lbf

[] : Power boost

2) ROBEX 480LC-9

· 6.55 m (21' 6") BOOM



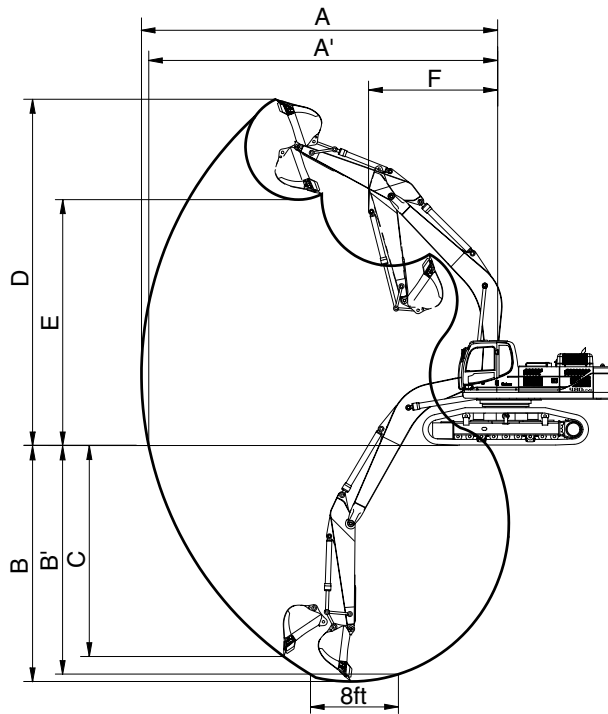
48092SP04

Description		2.40 m (7' 10") Arm
Max digging reach	A	10610 mm (34'10")
Max digging reach on ground	A'	10370 mm (34' 0")
Max digging depth	B	6370 mm (20'11")
Max digging depth (8ft level)	B'	6190 mm (20' 4")
Max vertical wall digging depth	C	5400 mm (17' 9")
Max digging height	D	10170 mm (33' 4")
Max dumping height	E	6750 mm (22' 2")
Min swing radius	F	4620 mm (15' 2")
Bucket digging force	SAE	216.7 [236.4] kN
		22100 [24110] kgf
		48720 [53150] lbf
	ISO	251.1 [273.9] kN
		25600 [27930] kgf
		56440 [61570] lbf
Arm crowd force	SAE	276.6 [301.7] kN
		28200 [30760] kgf
		62170 [67820] lbf
	ISO	290.3 [316.7] kN
		29600 [32290] kgf
		65260 [71190] lbf

[] : Power boost

3) ROBEX 480LC-9

· 9.00 m (29' 6") BOOM

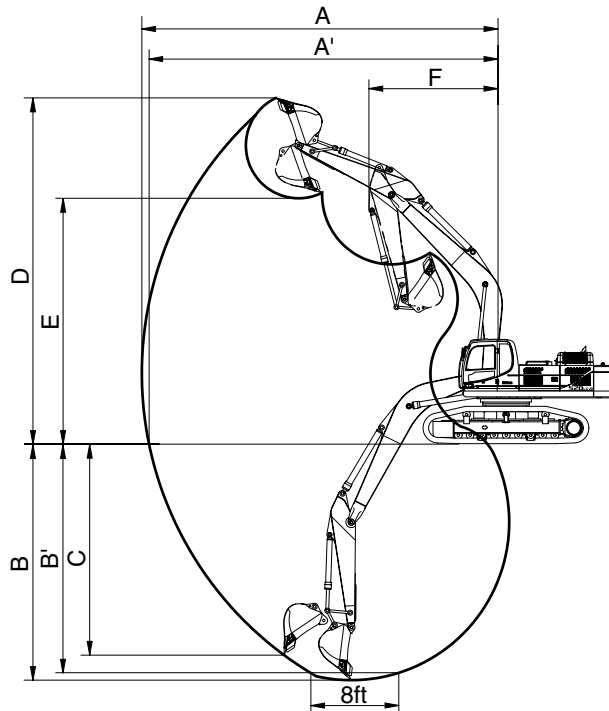


48092SP04

Description		5.85 m (19' 2") Arm
Max digging reach	A	16350 mm (53' 8")
Max digging reach on ground	A'	16200 mm (53' 2")
Max digging depth	B	11560 mm (37'11")
Max digging depth (8ft level)	B'	11460 mm (37' 7")
Max vertical wall digging depth	C	10320 mm (33'10")
Max digging height	D	13840 mm (45' 5")
Max dumping height	E	10440 mm (34' 3")
Min swing radius	F	5940 mm (19' 6")
Bucket digging force	SAE	189.3 kN
		19300 kgf
		42550 lbf
	ISO	217.7 kN
		22200 kgf
		48940 lbf
Arm crowd force	SAE	107.9 kN
		11000 kgf
		24250 lbf
	ISO	110.3 kN
		11250 kgf
		24800 lbf

4) ROBEX 520LC-9

· 7.06 m (23' 2") BOOM



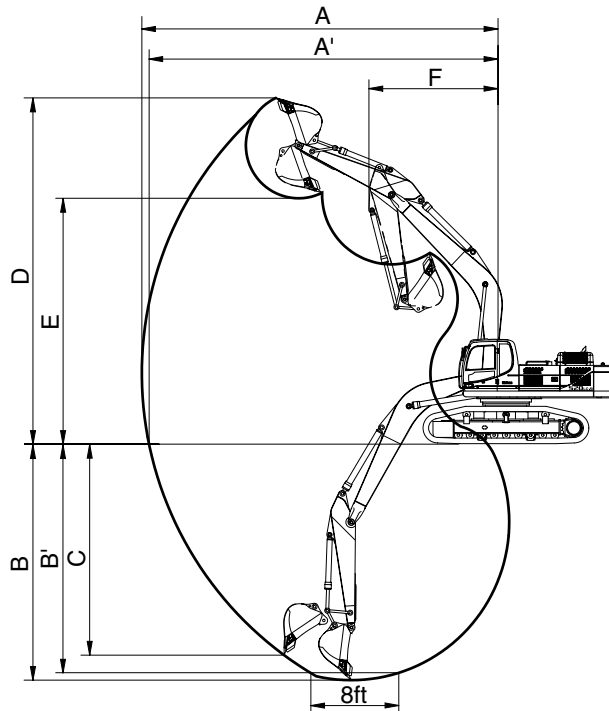
48092SP05

Description		2.40 m (7' 10") Arm	2.90 m (9' 6") Arm	3.38 m (11' 1") Arm	4.00 m (13' 1") Arm
Max digging reach	A	11140 mm (36' 7")	11530 mm (37'10")	12080 mm (39' 8")	12640 mm (41' 6")
Max digging reach on ground	A'	10890 mm (35' 9")	11290 mm (37' 0")	11840 mm (38'10")	12420 mm (40' 9")
Max digging depth	B	6610 mm (21' 8")	7110 mm (23' 4")	7590 mm (24'11")	8210 mm (26'11")
Max digging depth (8ft level)	B'	6430 mm (21' 1")	6940 mm (22' 9")	7440 mm (24' 5")	8080 mm (26' 6")
Max vertical wall digging depth	C	4880 mm (16' 0")	4780 mm (15' 8")	5470 mm (17'11")	5980 mm (19' 7")
Max digging height	D	10640 mm (34'11")	10610 mm (34'10")	11080 mm (36' 4")	11290 mm (37' 0")
Max dumping height	E	7290 mm (23'11")	7350 mm (24' 1")	7760 mm (25' 6")	7980 mm (26' 2")
Min swing radius	F	5110 mm (16' 9")	4910 mm (16' 1")	4830 mm (15'10")	4910 mm (16' 1")
Bucket digging force	SAE	247.1 [269.6] kN	251.1[273.9] kN	253.0 [276.0] kN	253.0 [276.0] kN
		25200 [27490] kgf	25600 [27930] kgf	25800 [28150] kgf	25800 [28150] kgf
		55560 [60610] lbf	56440 [61570] lbf	56880 [62050] lbf	56880 [62050] lbf
	ISO	286.4 [312.4] kN	290.3 [316.7] kN	292.2 [318.8] kN	292.2 [318.8] kN
		29200 [31850] kgf	29600 [32290] kgf	29800 [32510] kgf	29800 [32510] kgf
		64370 [70220] lbf	65260 [71190] lbf	65700 [71670] lbf	65700 [71670] lbf
Arm crowd force	SAE	278.5 [303.8] kN	225.6 [246.1] kN	192.2 [209.7] kN	171.6 [187.2] kN
		28400 [30980] kgf	23000 [25090] kgf	19600 [21380] kgf	17500 [19090] kgf
		62610 [68300] lbf	50710 [55320] lbf	43210 [47140] lbf	38580 [42090] lbf
	ISO	291.3 [317.7] kN	235.4 [256.8] kN	200.1 [218.2] kN	177.5 [193.6] kN
		29700 [32400] kgf	24000 [26180] kgf	20400 [22250] kgf	18100 [19750] kgf
		65480 [71430] lbf	52910 [57720] lbf	44970 [49060] lbf	39900 [43530] lbf

[] : Power boost

5) ROBEX 520LC-9

· 6.55 m (21' 6") BOOM



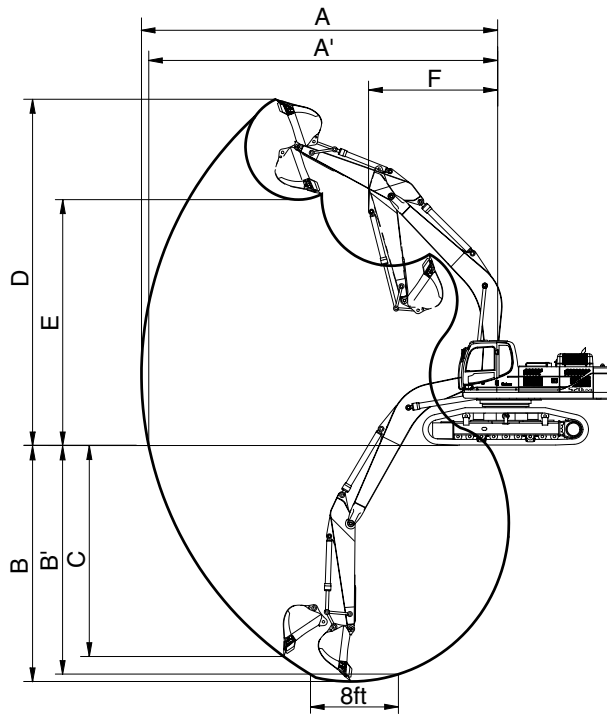
48092SP05

Description		2.40 m (7' 10") Arm
Max digging reach	A	10590 mm (34' 9")
Max digging reach on ground	A'	10320 mm (33'10")
Max digging depth	B	6130 mm (20' 1")
Max digging depth (8ft level)	B'	5950 mm (19' 6")
Max vertical wall digging depth	C	4390 mm (14' 5")
Max digging height	D	10260 mm (33' 8")
Max dumping height	E	6920 mm (22' 8")
Min swing radius	F	4650 mm (15' 3")
Bucket digging force	SAE	247.1 [269.6] kN
		25200 [27490] kgf
		55560 [60610] lbf
	ISO	286.4 [312.4] kN
		29200 [31850] kgf
		64370 [70220] lbf
Arm crowd force	SAE	278.5 [303.8] kN
		28400 [30980] kgf
		62610 [68300] lbf
	ISO	291.3 [317.7] kN
		29700 [32400] kgf
		65480 [71430] lbf

[] : Power boost

6) ROBEX 520LC-9

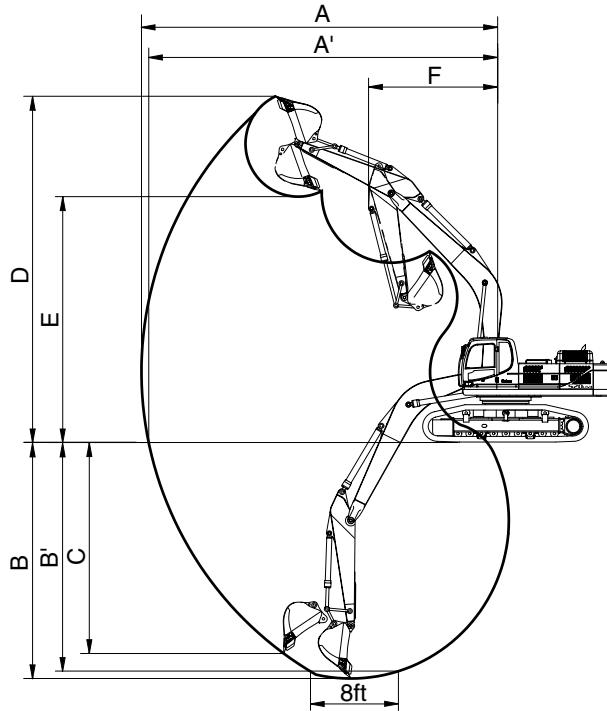
· 9.00 m (29' 6") BOOM



48092SP05

Description		5.85 m (19' 2") Arm
Max digging reach	A	16280 mm (53' 5")
Max digging reach on ground	A'	16100 mm (52'10")
Max digging depth	B	11380 mm (37' 4")
Max digging depth (8ft level)	B'	11280 mm (37' 0")
Max vertical wall digging depth	C	10070 mm (33' 0")
Max digging height	D	13930 mm (45' 8")
Max dumping height	E	10530 mm (34' 7")
Min swing radius	F	5940 mm (19' 6")
Bucket digging force	SAE	212.8 kN
		21700 kgf
		47840 lbf
	ISO	251.1 kN
		25600 kgf
		56440 lbf
Arm crowd force	SAE	107.9 kN
		11000 kgf
		24250 lbf
	ISO	110.8 kN
		11300 kgf
		24910 lbf

7) ROBEX 520LC-9
 · 10.0 m (32' 10") BOOM



48092SP05

Description		6.85 m (22' 6") Arm
Max digging reach	A	18170 mm (59' 7")
Max digging reach on ground	A'	18010 mm (59' 1")
Max digging depth	B	13010 mm (42' 8")
Max digging depth (8ft level)	B'	12930 mm (42' 5")
Max vertical wall digging depth	C	11740 mm (38' 6")
Max digging height	D	15150 mm (49' 9")
Max dumping height	E	11760 mm (38' 7")
Min swing radius	F	6510 mm (21' 4")
Bucket digging force	SAE	213.8 kN
		21800 kgf
		48060 lbf
	ISO	252.0 kN
		25700 kgf
		56660 lbf
Arm crowd force	SAE	95.1 kN
		9700 kgf
		21380 lbf
	ISO	98.1 kN
		10000 kgf
		22050 lbf