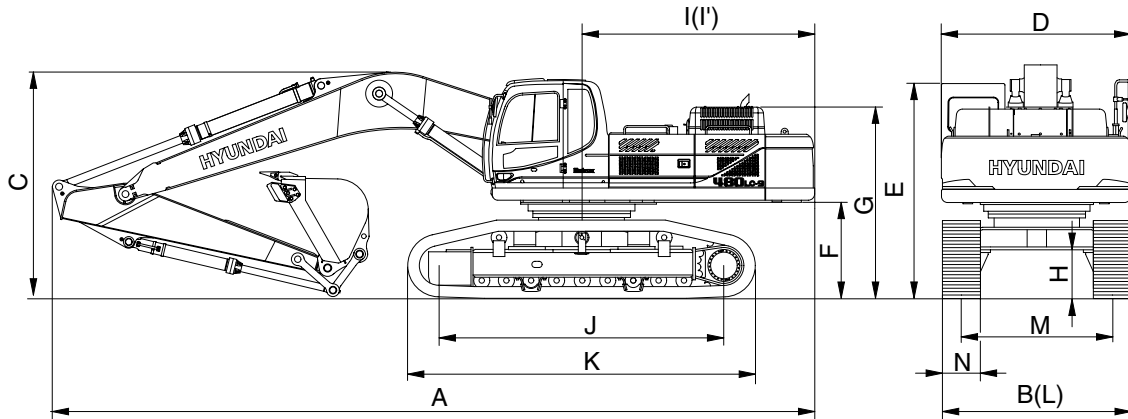


2. SPECIFICATIONS

1) ROBEX 480LC-9

- 7.06 m (23' 2") BOOM, 3.38 m (11' 1") ARM

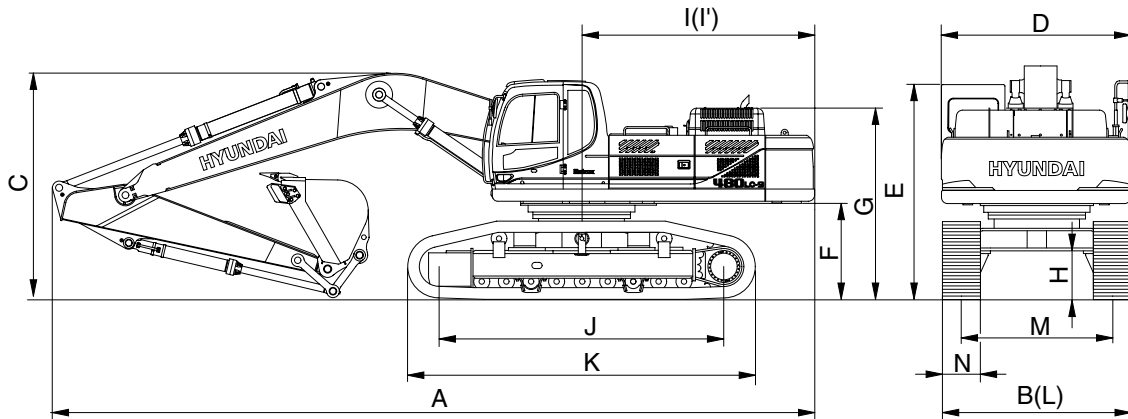


48092SP02

Description		Unit	Specification
Operating weight		kg (lb)	48100 (106040)
Bucket capacity (SAE heaped), standard		m ³ (yd ³)	2.15 (2.81)
Overall length	A	mm (ft-in)	12060 (39' 7")
Overall width, with 600 mm shoe	B		3340 (10' 11")
Overall height	C		3730 (12' 3")
Superstructure width	D		2980 (9' 9")
Overall height of cab	E		3190 (10' 6")
Ground clearance of counterweight	F		1295 (4' 3")
Engine cover height	G		2770 (9' 1")
Minimum ground clearance	H		555 (1' 10")
Rear-end distance	I		3695 (12' 1")
Rear-end swing radius	I'		3750 (12' 4")
Distance between tumblers	J		4470 (14' 8")
Undercarriage length	K		5462 (17' 11")
Undercarriage width	L		3340 (10' 11")
Track gauge	M		2740 (8' 12")
Track shoe width, standard	N		600 (24")
Travel speed (low/high)		km/hr (mph)	3.2/5.0 (2.0/3.1)
Swing speed		rpm	9.0
Gradeability		Degree (%)	35 (70)
Ground pressure (600 mm shoe)		kgf/cm ² (psi)	0.83 (11.80)
Max traction force		kg (lb)	38500 (84800)

2) ROBEX 480-9

· 7.06 m (23' 2") BOOM, 3.38 m (11' 1") ARM

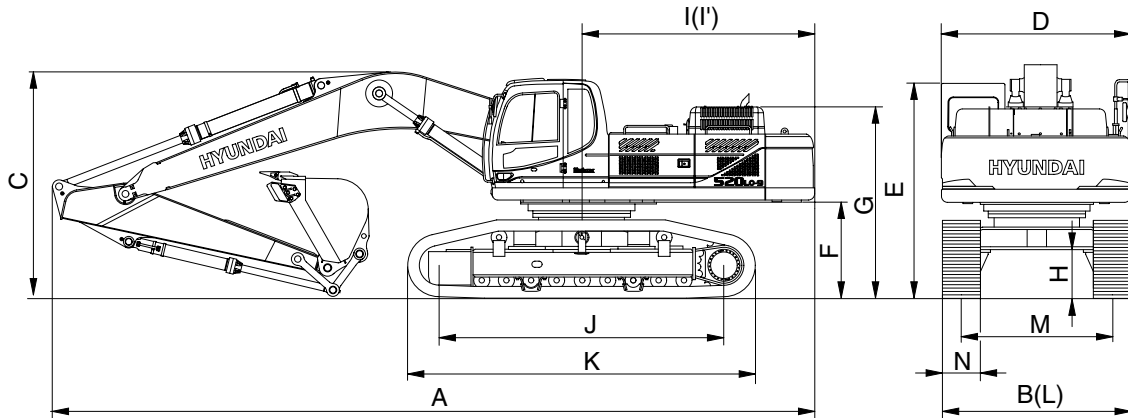


48092SP02

Description		Unit	Specification
Operating weight		kg (lb)	46900 (103400)
Bucket capacity (SAE heaped), standard		m ³ (yd ³)	2.15 (2.81)
Overall length	A	mm (ft-in)	12060 (39' 7")
Overall width, with 600 mm shoe	B		3340 (10' 11")
Overall height	C		3730 (12' 3")
Superstructure width	D		2980 (9' 9")
Overall height of cab	E		3190 (10' 6")
Ground clearance of counterweight	F		1295 (4' 3")
Engine cover height	G		2770 (9' 1")
Minimum ground clearance	H		555 (1' 10")
Rear-end distance	I		3695 (12' 1")
Rear-end swing radius	I'		3750 (12' 4")
Distance between tumblers	J		4040 (13' 3")
Undercarriage length	K		5032 (16' 6")
Undercarriage width	L		3340 (10' 11")
Track gauge	M		2740 (8' 12")
Track shoe width, standard	N		600 (24")
Travel speed (low/high)		km/hr (mph)	3.2/5.0 (2.0/3.1)
Swing speed		rpm	9.0
Gradeability		Degree (%)	35 (70)
Ground pressure (600 mm shoe)		kgf/cm ² (psi)	0.89 (12.66)
Max traction force		kg (lb)	38500 (84800)

3) ROBEX 520LC-9

· 7.06 m (23' 2") BOOM, 3.38 m (11' 1") ARM

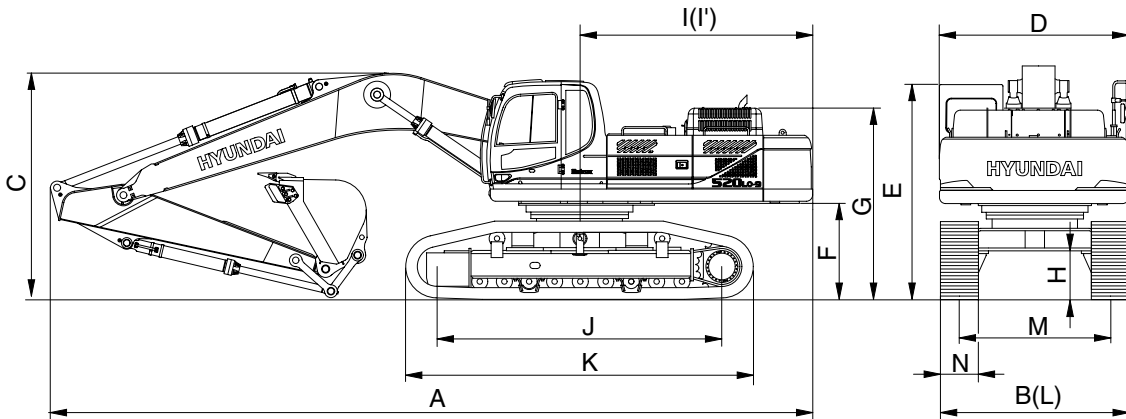


48092SP03

Description		Unit	Specification
Operating weight		kg (lb)	51000 (112430)
Bucket capacity (SAE heaped), standard		m ³ (yd ³)	2.15 (2.81)
Overall length	A	mm (ft-in)	12060 (39' 7")
Overall width, with 600 mm shoe (transport position / working position)	B		2980/3540 (9' 9"/11' 7")
Overall height	C		3850 (12' 8")
Superstructure width	D		2980 (9' 9")
Overall height of cab	E		3400 (11' 2")
Ground clearance of counterweight	F		1500 (4' 11")
Engine cover height	G		2980 (9' 9")
Minimum ground clearance	H		770 (2' 6")
Rear-end distance	I		3695 (12' 1")
Rear-end swing radius	I'		3750 (12' 4")
Distance between tumblers	J		4470 (14' 8")
Undercarriage length	K		5460 (17' 11")
Undercarriage width (transport position / working position)	L		2980/3540 (9' 9"/11' 7")
Track gauge (transport position / working position)	M		2380/2940 (7' 10"/9' 8")
Track shoe width, standard	N	600 (24")	
Travel speed (low/high)		km/hr (mph)	3.2/5.0 (2.0/3.1)
Swing speed		rpm	9.0
Gradeability		Degree (%)	35 (70)
Ground pressure (600 mm shoe)		kgf/cm ² (psi)	0.88 (12.51)
Max traction force		kg (lb)	38500 (84800)

4) ROBEX 520LC-9

· 6.55 m (21' 6") BOOM, 2.4 m (7' 10") ARM

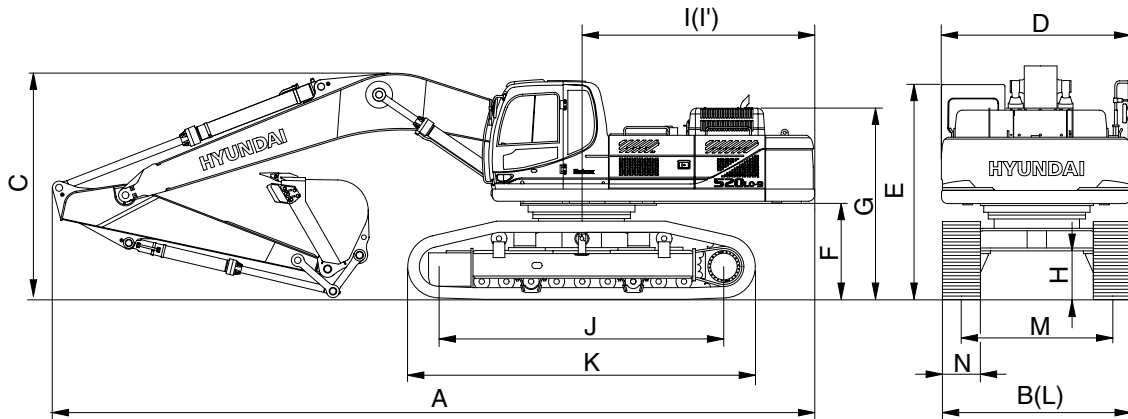


48092SP03

Description		Unit	Specification
Operating weight		kg (lb)	50820 (112040)
Bucket capacity (SAE heaped), standard		m ³ (yd ³)	2.15 (2.81)
Overall length	A	mm (ft-in)	11780 (38' 8")
Overall width, with 600 mm shoe (transport position / working position)	B		2980/3540 (9' 9"/11' 7")
Overall height	C		4100 (13' 5")
Superstructure width	D		2980 (9' 9")
Overall height of cab	E		3400 (11' 2")
Ground clearance of counterweight	F		1500 (4' 11")
Engine cover height	G		2980 (9' 9")
Minimum ground clearance	H		770 (2' 6")
Rear-end distance	I		3695 (12' 1")
Rear-end swing radius	I'		3750 (12' 4")
Distance between tumblers	J		4470 (14' 8")
Undercarriage length	K		5460 (17' 11")
Undercarriage width (transport position / working position)	L		2980/3540 (9' 9"/11' 7")
Track gauge (transport position / working position)	M		2380/2940 (7' 10"/9' 8")
Track shoe width, standard	N		600 (24")
Travel speed (low/high)		km/hr (mph)	3.2/5.0 (2.0/3.1)
Swing speed		rpm	9.0
Gradeability		Degree (%)	35 (70)
Ground pressure (600 mm shoe)		kgf/cm ² (psi)	0.88 (12.51)
Max traction force		kg (lb)	38500 (84800)

5) ROBEX 520LC-9

- 9.00 m (29' 6") BOOM, 5.85 m (19' 2") ARM

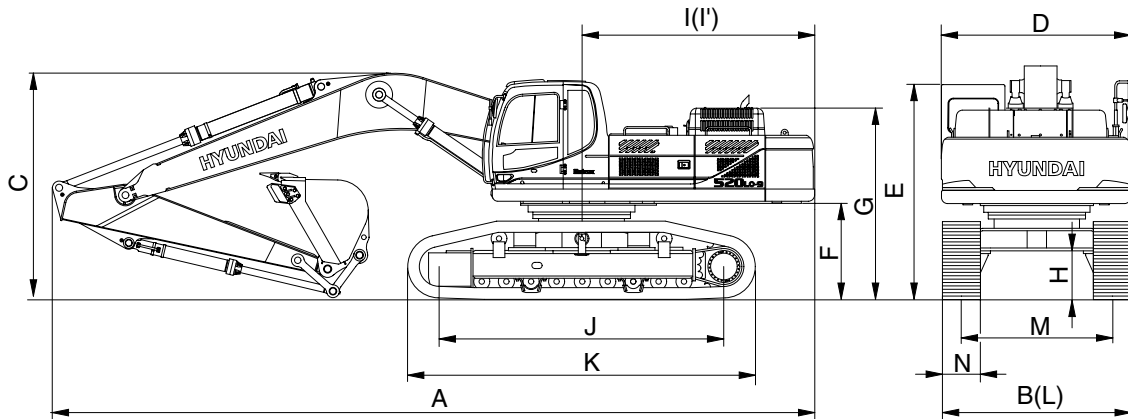


48092SP03

Description		Unit	Specification
Operating weight		kg (lb)	52410 (115540)
Bucket capacity (SAE heaped), standard		m ³ (yd ³)	2.15 (2.81)
Overall length	A	mm (ft-in)	13800 (45' 3")
Overall width, with 600 mm shoe (transport position / working position)	B		2980/3540 (9' 9"/11' 7")
Overall height	C		5190 (17' 0")
Superstructure width	D		2980 (9' 9")
Overall height of cab	E		3400 (11' 2")
Ground clearance of counterweight	F		1500 (4' 11")
Engine cover height	G		2980 (9' 9")
Minimum ground clearance	H		770 (2' 6")
Rear-end distance	I		3695 (12' 1")
Rear-end swing radius	I'		3750 (12' 4")
Distance between tumblers	J		4470 (14' 8")
Undercarriage length	K		5460 (17' 11")
Undercarriage width (transport position / working position)	L		2980/3540 (9' 9"/11' 7")
Track gauge (transport position / working position)	M		2380/2940 (7' 10"/9' 8")
Track shoe width, standard	N		600 (24")
Travel speed (low/high)		km/hr (mph)	3.2/5.0 (2.0/3.1)
Swing speed		rpm	9.0
Gradeability		Degree (%)	35 (70)
Ground pressure (600 mm shoe)		kgf/cm ² (psi)	0.91 (12.94)
Max traction force		kg (lb)	38500 (84800)

6) ROBEX 520LC-9

- 10.0 m (32' 10") BOOM, 6.85 m (22' 6") ARM



48092SP03

Description		Unit	Specification
Operating weight		kg (lb)	53130 (117130)
Bucket capacity (SAE heaped), standard		m ³ (yd ³)	2.15 (2.81)
Overall length	A	mm (ft-in)	14620 (47' 12")
Overall width, with 600 mm shoe (transport position / working position)	B		2980/3540 (9' 9"/11' 7")
Overall height	C		5860 (19' 3")
Superstructure width	D		2980 (9' 9")
Overall height of cab	E		3400 (11' 2")
Ground clearance of counterweight	F		1500 (4' 11")
Engine cover height	G		2980 (9' 9")
Minimum ground clearance	H		770 (2' 6")
Rear-end distance	I		3695 (12' 1")
Rear-end swing radius	I'		3750 (12' 4")
Distance between tumblers	J		4470 (14' 8")
Undercarriage length	K		5460 (17' 11")
Undercarriage width (transport position / working position)	L		2980/3540 (9' 9"/11' 7")
Track gauge (transport position / working position)	M		2380/2940 (7' 10"/9' 8")
Track shoe width, standard	N		600 (24")
Travel speed (low/high)		km/hr (mph)	3.2/5.0 (2.0/3.1)
Swing speed		rpm	9.0
Gradeability		Degree (%)	35 (70)
Ground pressure (600 mm shoe)		kgf/cm ² (psi)	0.92 (13.08)
Max traction force		kg (lb)	38500 (84800)