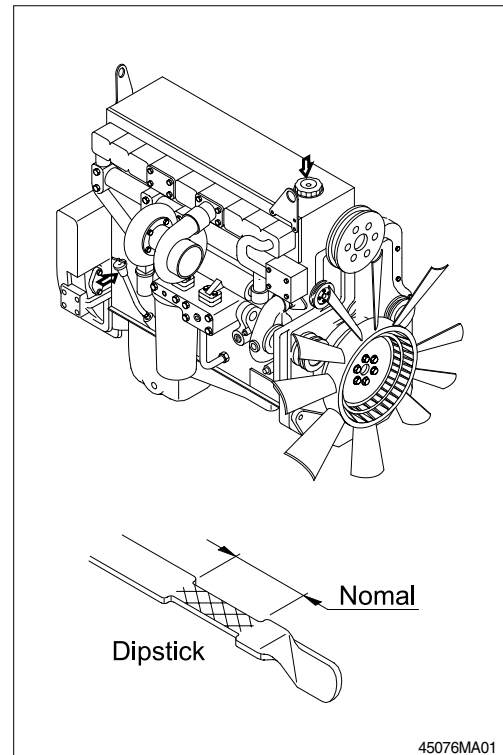


## 6. SERVICE INSTRUCTION

### 1) CHECK ENGINE OIL LEVEL

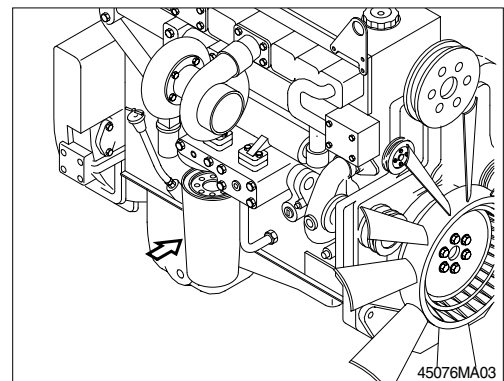
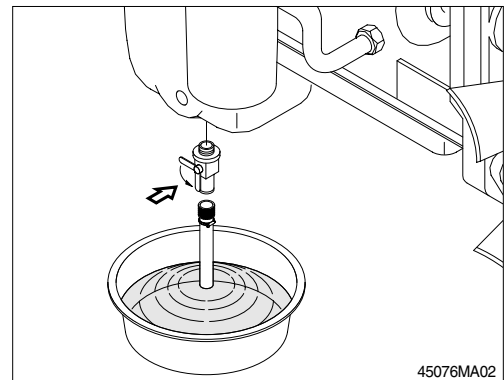
Check the oil level with the machine on a flat ground before starting engine.

- (1) Pull out the dipstick and wipe with a clean cloth.
- (2) Check the oil level by inserting the dipstick completely into the hole and pulling out again.
- (3) If oil level is LOW, add oil and then check again.
  - ※ If the oil is contaminated or diluted, change the oil regardless of the regular change interval.
  - ※ Check oil level after engine has been stopped for 15 minutes.
  - ▲ Do not operate unless the oil level is in the normal range.

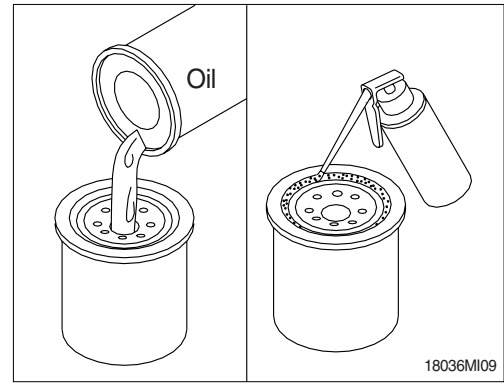


### 2) REPLACEMENT OF ENGINE OIL AND OIL FILTER

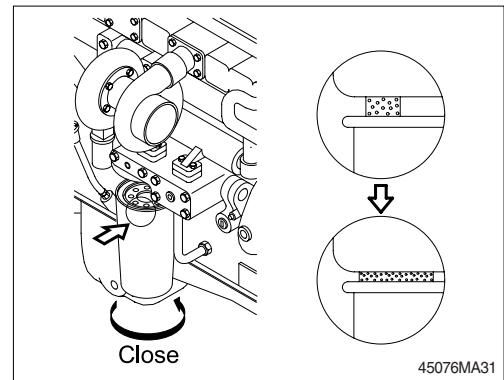
- (1) Warm up the engine.
- (2) Remove the plug and allow the oil to drain.
  - Adaptor size : 1-18UNS
  - ※ A drain pan with a capacity of 40 liters (11U.S. gallons) will be adequate.
- (3) Clean around the filter head, remove the filter and clean the gasket surface.
  - Wrench size : 120mm(4.72in)



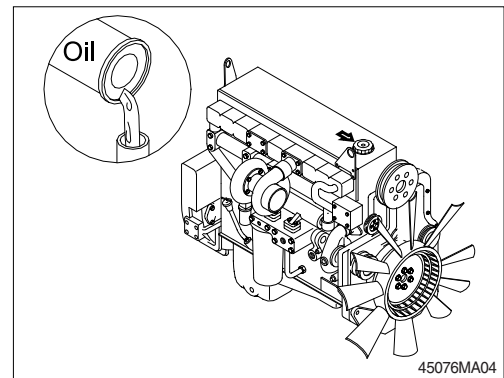
- (4) Apply a light film of lubricating oil to the gasket sealing surface before installing the filters.  
※ **Fill the filters with clean lubricating oil.**



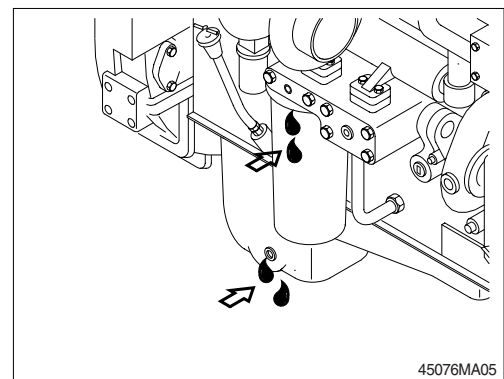
- (5) Install the filter to the filter head.  
※ **Mechanical over-tightening may distort the threads or damage the filter element seal.**  
· Install the filter as specified by the filter manufacturer.



- (6) Fill the engine with clean oil to the proper level.  
· Quantity : 38 l (10U.S.gallons)



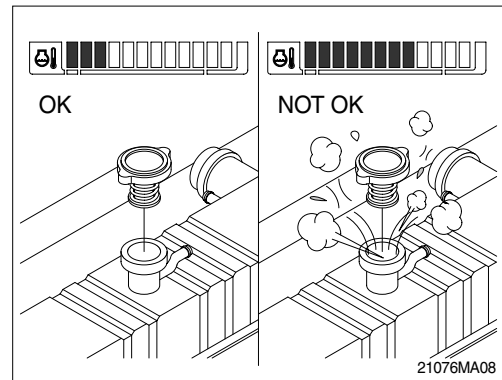
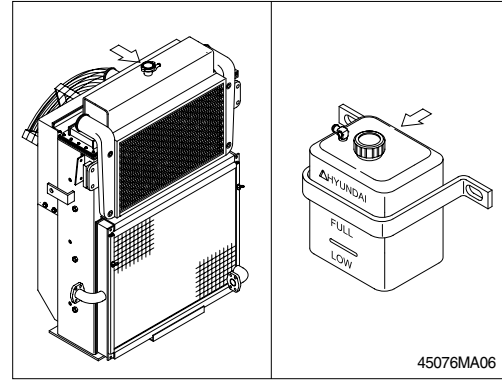
- (7) Operate the engine at low idle and inspect for leaks at the filters and the drain plug.  
Shut the engine off and check the oil level with the dipstick. Allow 15minutes for oil to drain down before checking.



### 3) CHECK COOLANT

- (1) Check if the level of coolant in reservoir tank is between FULL and LOW.
- (2) Add the mixture of antifreeze and water after removing the cap of the reservoir tank if coolant is not sufficient.
- (3) Be sure to use the reservoir empty, add the coolant by opening the cap of radiator.
- (4) Replace gasket of radiator cap when it is damaged.

**▲ Hot coolant can spray out if radiator cap is removed while engine is hot. Remove the cap after the engine has cooled down.**

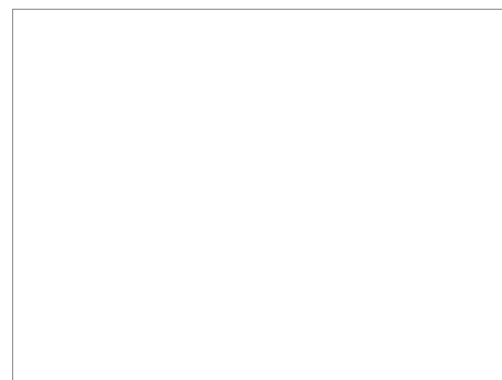
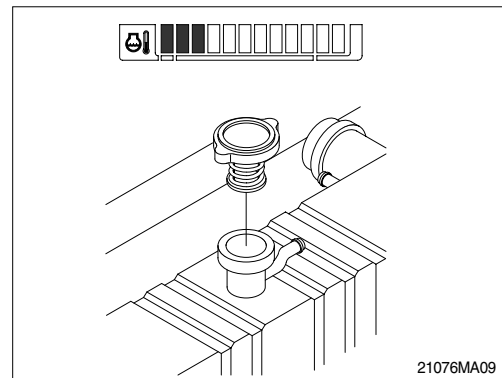


### 4) FLUSHING AND REFILLING OF RADIATOR

- (1) Change coolant

**▲ Avoid prolonged and repeated skin contact with used antifreeze. Such prolonged repeated contact can cause skin disorders or other bodily injury.**  
**Avoid excessive contact-wash thoroughly after contact.**  
**Keep out of reach of children.**

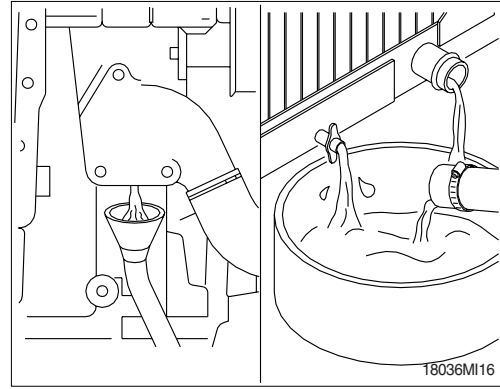
※ **Protect the environment : Handling and disposal of used antifreeze can be subject to federal, state, and local law regulation.**  
**Use authorized waste disposal facilities, including civic amenity sites and garages providing authorized facilities for the receipt of used antifreeze.**  
**If in doubt, contact your local authorities for guidance as to proper handling of used antifreeze.**



- ▲ **Wait until the temperature is below 50° C (120° F) before removing the coolant system pressure cap.**

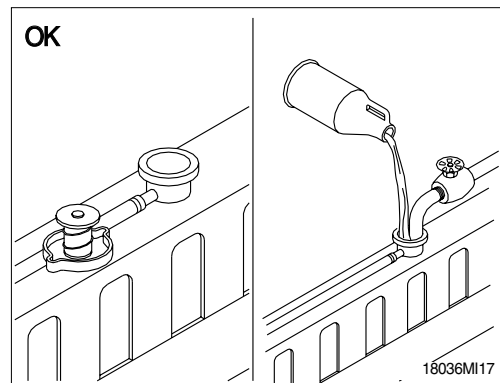
**Failure to do so can cause personal injury from heated coolant spray.**

Drain the cooling system by opening the drain valve on the radiator and removing the plug in the bottom of the water inlet. A drain pan with a capacity of 50 liters(13U.S.gallons) will be adequate in most applications.

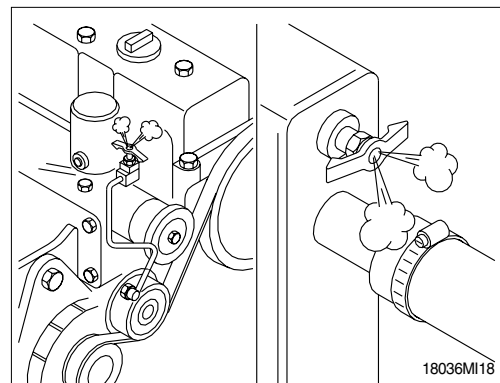


**(2) Flushing of cooling system**

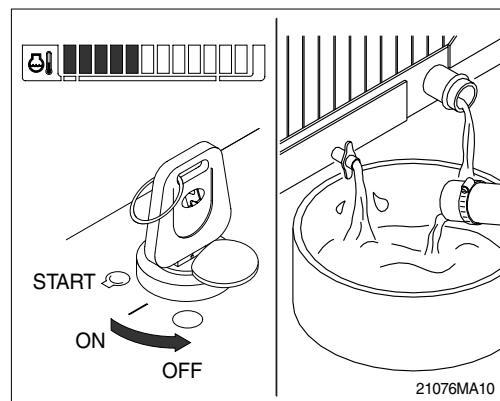
- ① Fill the system with a mixture of sodium carbonate and water(or a commercially available equivalent).
- ※ **Use 0.5kg(1.0pound) of sodium carbonate for every 23 liters(6.0U.S. gallons) of water.**
- ※ **Do not install the radiator cap. The engine is to be operated without the cap for this process.**



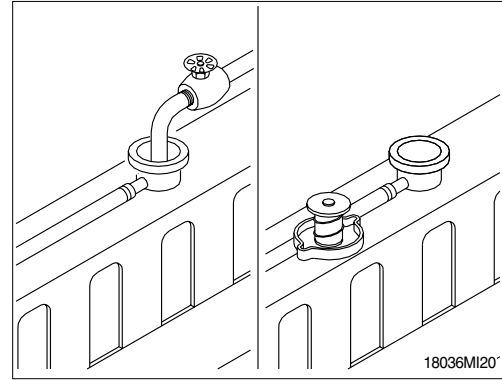
- ※ **During filling, air must be vented from the engine coolant passages. Open the engine venting petcock.**
- The system must be filled slowly to prevent air locks. Wait 2 to 3 minutes to allow air to be vented, then add mixture to bring the level to the top.



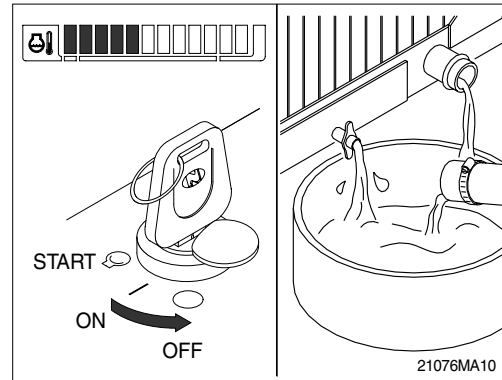
- ② Operate the engine for 5 minutes with the coolant temperature above 80° C(176° F) .
- Shut the engine off, and drain the cooling system.



- ③ Fill the cooling system with clean water.
- ※ **Be sure to vent the engine and aftercooler for complete filling.**
- ※ **Do not install the radiator cap or the new coolant filter.**

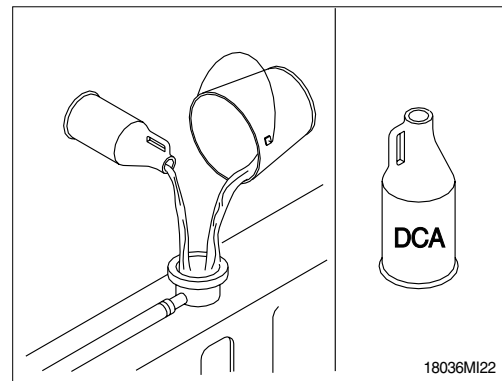


- ④ Operate the engine for 5 minutes with the coolant temperature above 80°C(176°F) . Shut the engine off, and drain the cooling system.
- ※ **If the water being drained is still dirty, the system must be flushed again until the water is clean.**

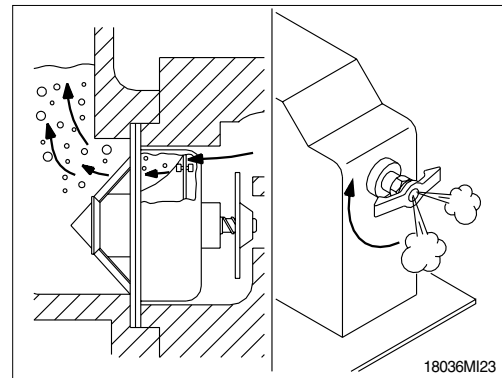


### (3) Cooling system filling

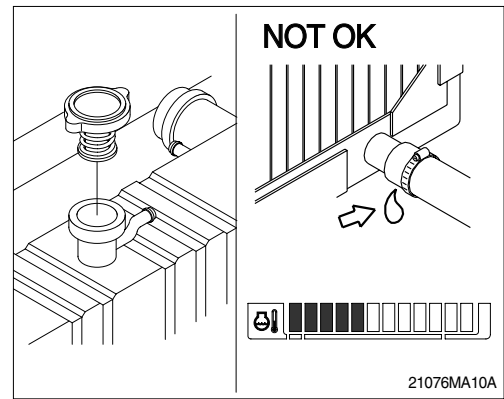
- ① Use a mixture of 50 percent water and 50 percent ethylene glycol antifreeze to fill the cooling system.  
Coolant capacity(engine only) : 9.5 l (2.5U.S. gallons).
- ※ **Use the correct amount of DCA4 corrosion inhibitor to protect the cooling system.**



- ② The system has a maximum fill rate of 18.9 liters(5U.S. gallons) per minute. Do not exceed this fill rate.
- ※ **The system must be filled slowly to prevent air locks.**  
During filling, air must be vented from the engine coolant passage.  
**Be sure to open the petcock.**  
Then add mixture to bring the level to the top.



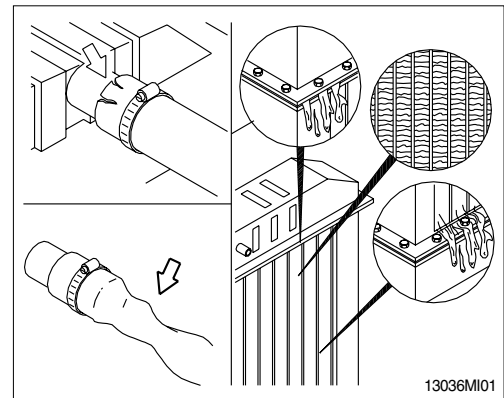
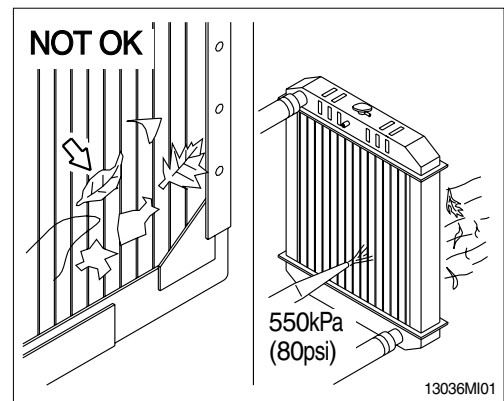
- ③ Install the pressure cap. Operate the engine until it reaches a temperature 80°C(176°F), and check for coolant leaks. Check the coolant level again to make sure the system is full of coolant.



## 5) CLEAN RADIATOR AND OIL COOLER

Check, and if necessary, clean and dry outside of radiator and oil cooler. After working in a dusty place, clean radiator more frequently.

- (1) Visually inspect the radiator for clogged radiator fins.
- (2) Use 550kPa(80psi) air pressure to blow the dirt and debris from the fins. Blow the air in the opposite direction of the fan air flow.
- (3) Visually inspect the radiator for bent or broken fins.
  - ※ **If the radiator must be replaced due to bent or broken fins which can cause the engine to overheat, refer to the manufacturer's replacement procedures.**
- (4) Visually inspect the radiator for core and gasket leaks.

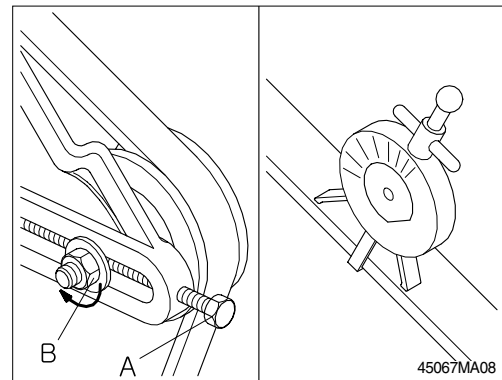
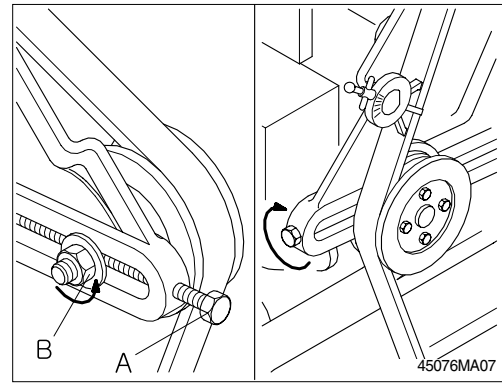


## 6) FAN BELT TENSION

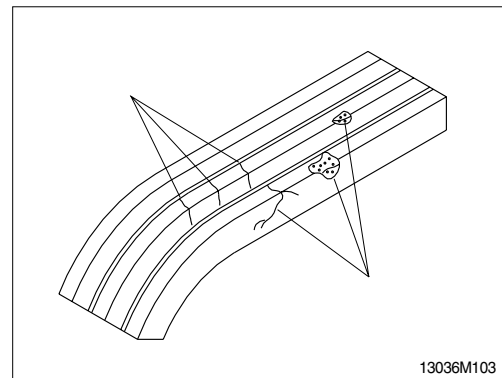
- (1) Use the belt tension gage to measure the belt tension.

Fan belt tension : 11.3kg (25lb)

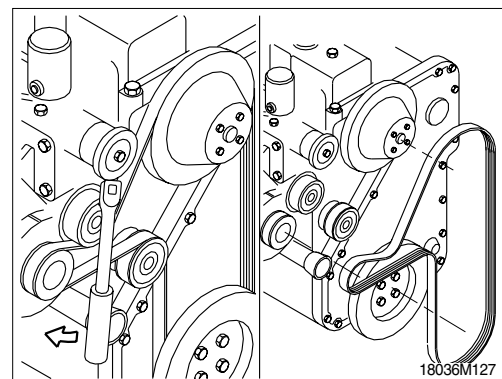
- (2) Turn the idler pulley adjusting screw(A) clockwise to increase the belt tension.
- (3) Tighten the idler pulley shaft lockout(B) tightening torque : 19.4kgf · m (140lb · ft)



- (4) Inspect the drive for damage.



- (5) Inspect the drive belt, tension bearing and for hub.



## 7) INSPECTION OF COOLING FAN

▲ Personal injury can result from a fan blade failure. Never pull or pry on the fan. This can damage the fan blade and cause fan failure.

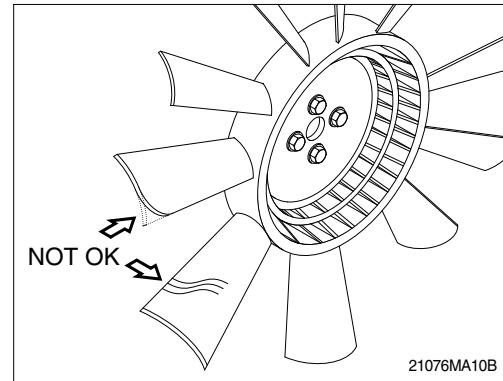
※ Rotate the crankshaft by using the engine barring gear.

※ A visual inspection of the cooling fan is required daily.

Check for cracks, loose rivets, and bent or loose blades.

Check the fan to make sure it is securely mounted. Tighten the capscrews if necessary.

Replace any fan that is damaged.



## 8) CLEANING OF AIR CLEANER

### (1) Primary element

① Loosen the wing nut and remove the element.

② Clean the inside of the body.

③ Clean the element with pressurized air.

· Remove the dust inside of the element by the pressurized air (Below  $3\text{kgf/cm}^2$ , 40psi) forward and backward equally.

④ Inspect for cracks or damage of element by putting a light bulb inside of the element.

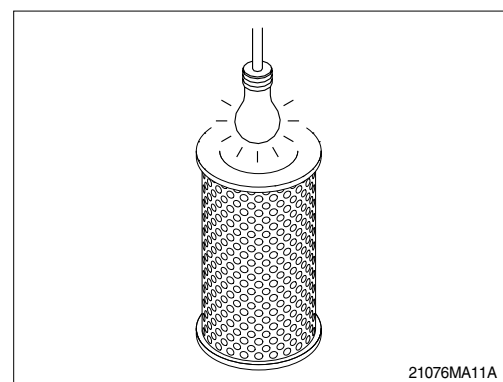
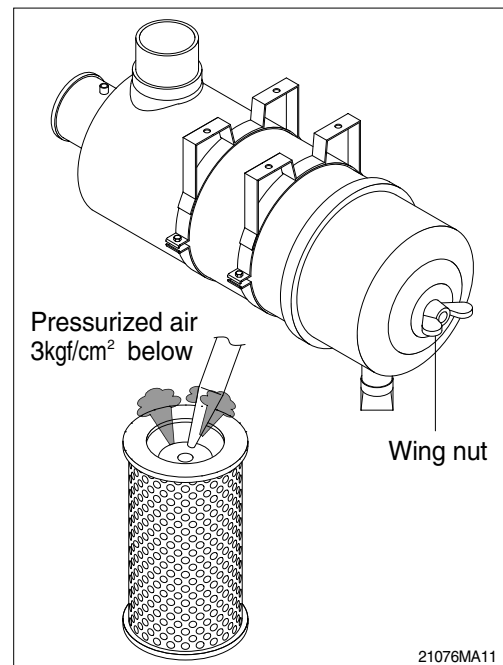
⑤ Insert element and tighten wing nut.

※ Replace the primary element after 4 times cleanings.

### (2) Safety element

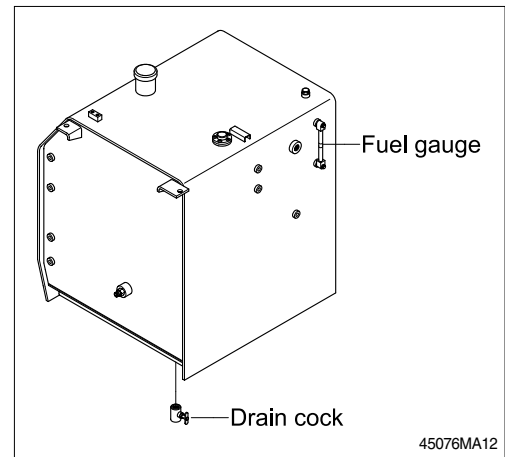
※ Replace the safety element only when the primary element is cleaned for the 4 times.

※ Always replace the safety element. Never attempt to reuse the safety element by cleaning the element.



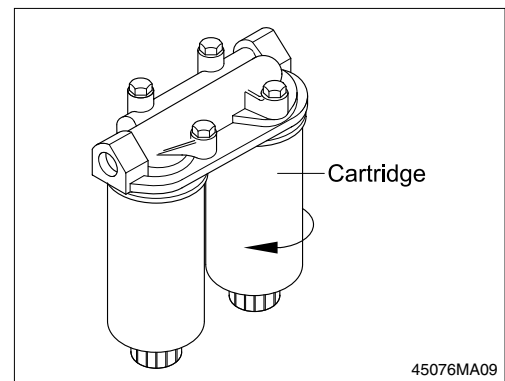
## 9) FUEL TANK

- (1) Fill fuel fully when system the operation to minimize water condensation, and check it with fuel gauge before starting the machine.
  - (2) Drain the water and sediment in the fuel tank by opening the drain cock.
    - ※ **Be sure to LOCK the cap of fuel tank.**
    - ※ **Remove the strainer of the fuel tank and clean it if contaminated.**
- ▲ **Stop the engine when refueling.**  
**All lights and flames shall be kept at a safe distance while refueling.**



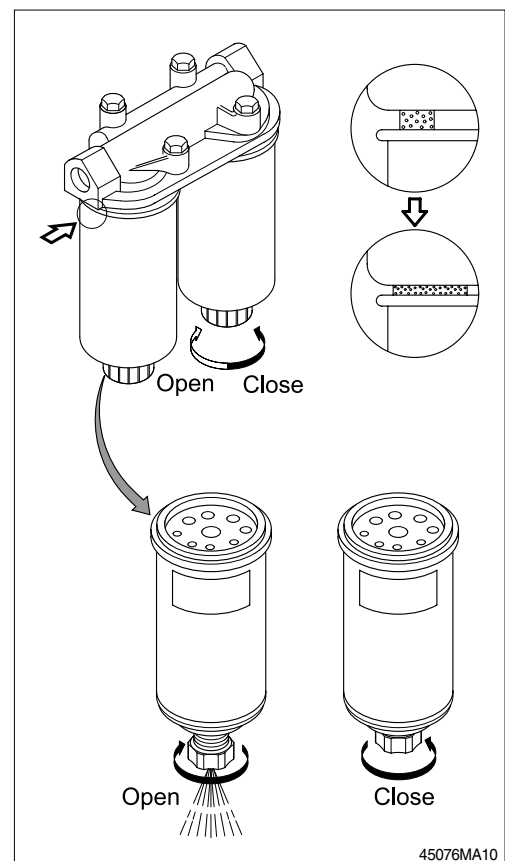
## 10) REPLACEMENT OF FUEL FILTER

- (1) Clean around the filter head, remove the filter and clean the gasket surface.
- (2) Replace the O-ring.
- (3) Fully fill fuel in the new filter.
- (4) Apply engine oil on the gasket of filter when mounting, and tighten 1/2 to 3/4 turn more after the gasket touches the filter head.
- (5) Relieve the air after mounting.
  - ※ **Check for fuel leakage after the engine starts.**
  - ※ **If air is in the fuel system, the engine will not start. Start engine after bleeding the air according to the method of bleeding air.**



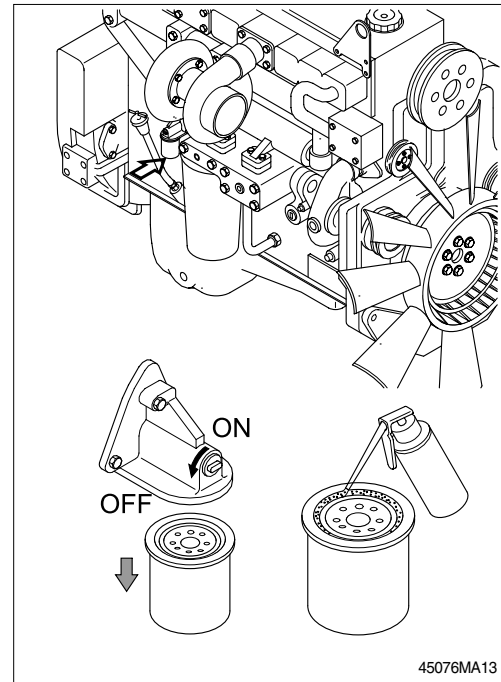
## 11) FUEL WATER SEPARATOR

- Drain the water and sediment from the separator daily.
- Shut off the engine.
- Use your hand to open the drain valve.
- Turn the valve counterclockwise 3-1/2 complete turns until the valve drops down 1".
- Drain the filter sump of water until clear fuel is visible.
- ※ **Do not overtighten the valve.**  
**Overtightening can damage the threads.**
- Push the valve up and turn the valve clockwise to close the drain valve.



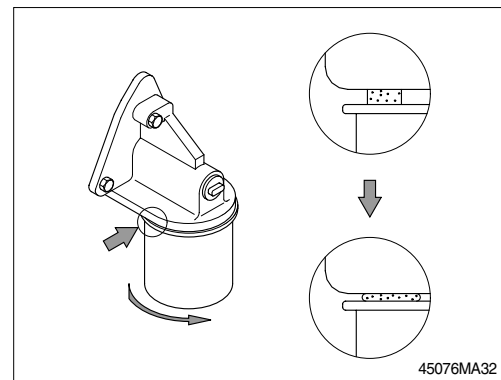
## 12) CORROSION RESISTOR (COOLANT FILTER)

- (1) Turn the valve on the filter head to the OFF position.
- (2) Remove the filter using filter wrench.
- (3) Use clean oil to lubricate the filter sealing ring.



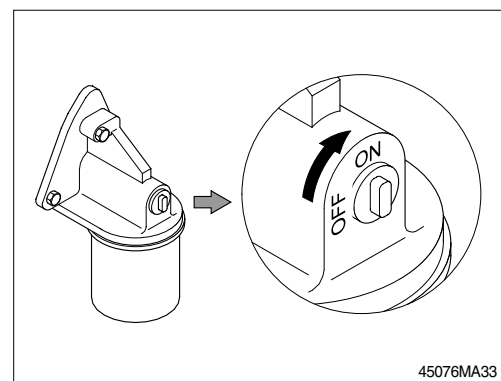
- (4) Install the new filter and tighten until the sealing ring contacts the filter head surface. Tighten the filter an additional one-half to three-fourths ( $1/2$  to  $3/4$ ) turn or refer to the filter manufacturer's instructions.

※ **Mechanical over-tightening can distort the filter threads or damage the filter head.**



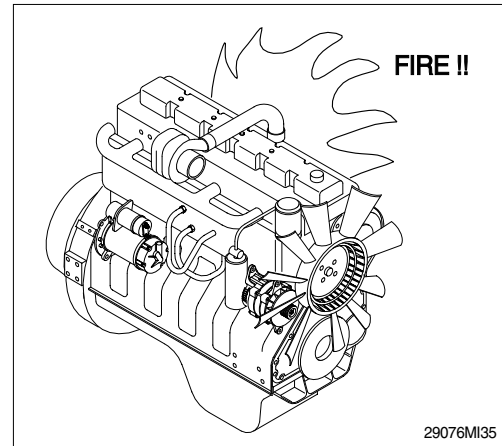
- (5) Turn the valve on the filter head to the ON position.

※ **The valve on the filter head must be in the ON position to prevent engine damage.**



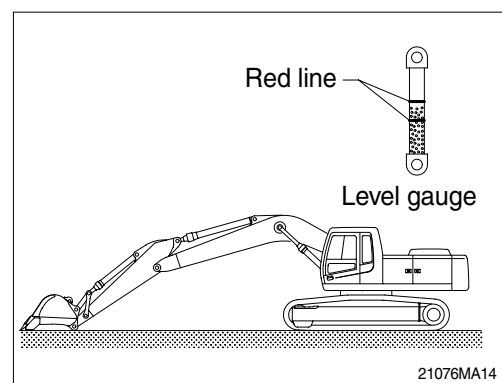
### 13) LEAKAGE OF FUEL

- ▲ Be careful and clean the fuel hose, injection pump, fuel filter and other connections as the leakage from these part can cause fire.



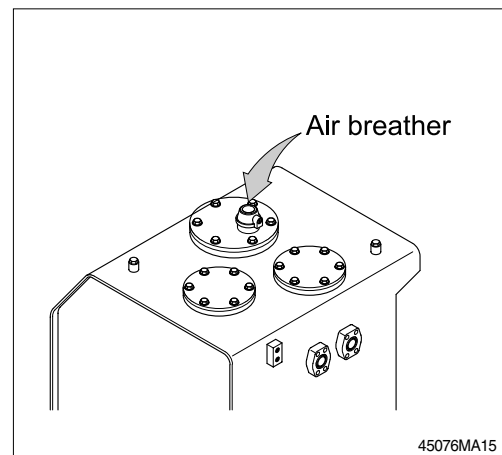
### 14) HYDRAULIC OIL CHECK

- (1) Stop the engine after retract the arm and bucket cylinders, then lower the boom and set the bucket on the ground at a flat location as in the illustration.
- (2) Check the oil level at the level gauge of hydraulic oil tank.
- (3) The oil level is normal if between the red lines.



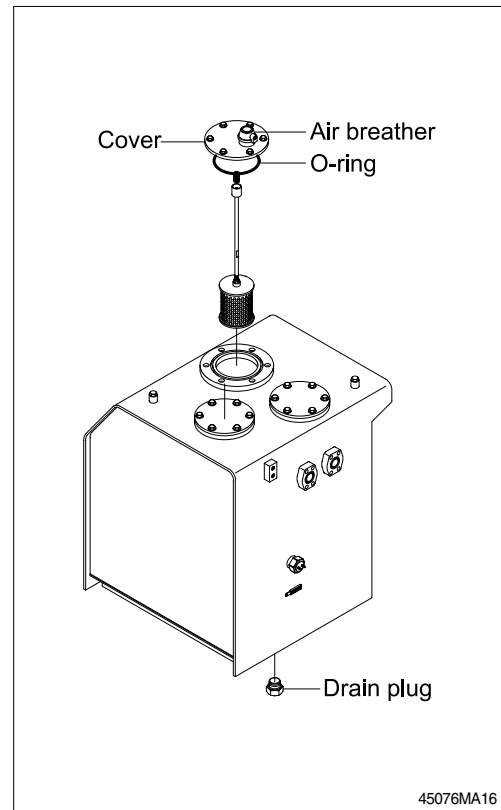
### 15) FILLING HYDRAULIC OIL

- (1) Stop the engine to the position of level check.
- (2) Loosen the cap and relieve the pressure in the tank by pushing the top of the air breather.
- (3) Remove the breather on the top of oil tank and fill the oil to the specified level.
- (4) Start engine after filling and operate the work equipment several times.
- (5) Check the oil level at the level check position after engine stops.



## 16) CHANGE HYDRAULIC OIL

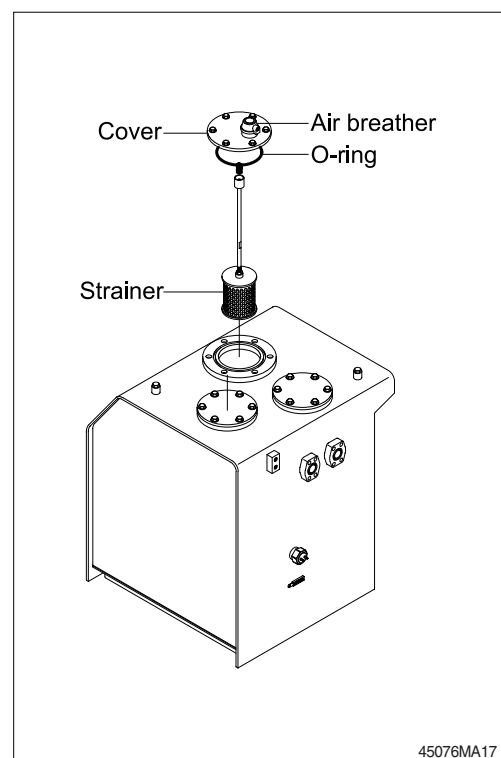
- (1) Lower the bucket on the ground pulling the arm and bucket cylinder to the maximum.
- (2) Loosen the cap and relieve the pressure in the tank by pushing the top of the air breather.
- (3) Remove the cover.
  - Tightening torque :  $6.9 \pm 1.4 \text{kgf} \cdot \text{m}$   
( $50 \pm 10 \text{lb} \cdot \text{ft}$ )
- (4) Prepare a suitable container.
- (5) To drain the oil loosen the drain plug at the bottom of the oil tank.
- (6) Fill proper amount of recommended oil.
- (7) Put the breather in the right position.
- (8) Bleed air hydraulic pump loosen the air breather at top of hydraulic pump assembly.**
- (9) Start engine and run continually. Release the air by full stroke of each control lever.



## 17) CLEAN SUCTION STRAINER

Clean suction strainer as follows paying attention to the cause to be kept during oil filling.

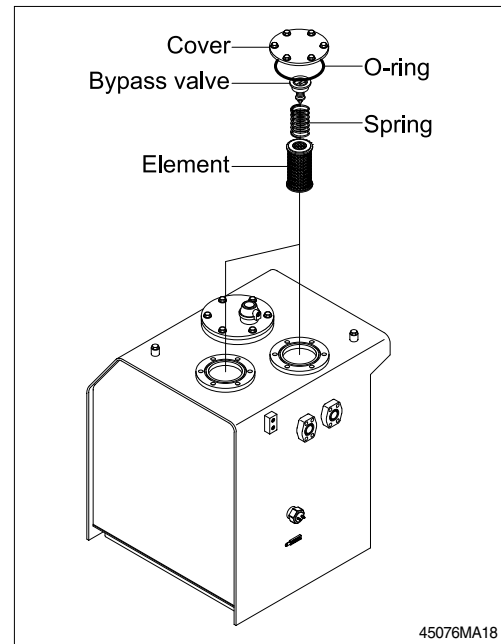
- (1) Remove the cover.
    - Tightening torque :  $6.9 \pm 1.4 \text{kgf} \cdot \text{m}$   
( $50 \pm 10 \text{lb} \cdot \text{ft}$ )
  - (2) Pull out the strainer in the tank.
  - (3) Wash the foreign material on the suction strainer with gasoline or cleaning oil.
  - (4) Replace the suction strainer if it is damaged.
  - (5) Assemble with reverse order of disassembly. Be sure to install a new O-ring and reinsert in the oil tank.
- ※ **Loosen the bolt slowly at the cover can be spring out by the spring when removing it.**



## 18) REPLACEMENT OF RETURN FILTER

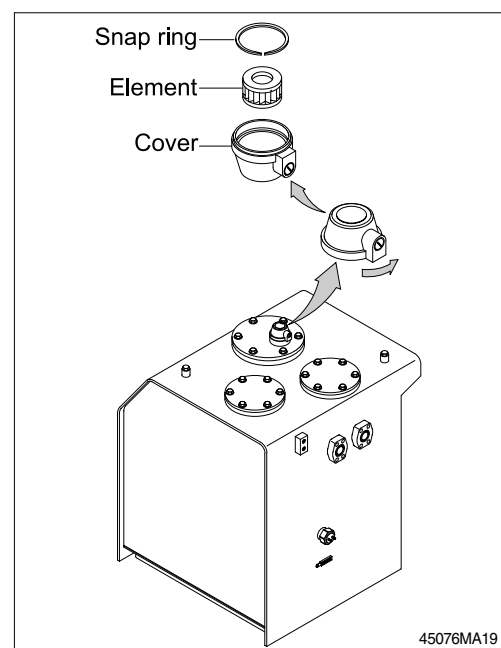
Replace as follows paying attention to the cause to be kept during the replacement.

- (1) Remove the cover.
  - Tightening torque :  $6.9 \pm 1.4 \text{ kgf} \cdot \text{m}$   
( $50 \pm 10 \text{ lbf} \cdot \text{ft}$ )
- (2) Remove the spring, by-pass valve, and return filter in the tank.
- (3) Replace the element with new one.



## 19) REPLACEMENT OF ELEMENT IN HYDRAULIC TANK BREATHER

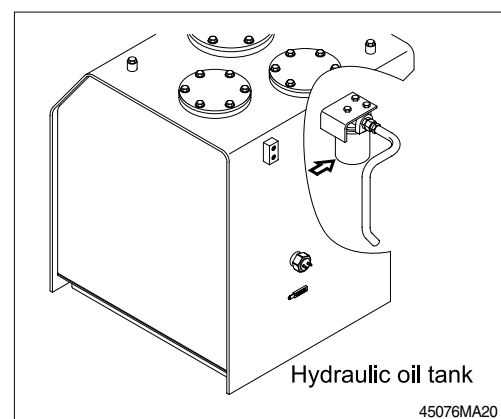
- (1) Relieve the pressure in the tank by loosening the air breather.
- (2) Loosen the breather lock key.
- (3) Pull out the filter element.
- (4) Replace the filter element and O-ring with new one.
- (5) Reassemble by reverse order of disassembly.
  - Tightening torque :  $0.7 \sim 0.9 \text{ kgf} \cdot \text{m}$   
( $5.0 \sim 6.5 \text{ lbf} \cdot \text{ft}$ )



## 20) REPLACE OF DRAIN FILTER CARTRIDGE

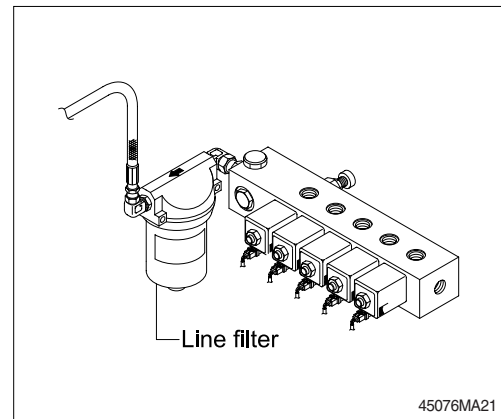
Clean the dust around filter and replace with new one after removing the cartridge.

- ※ Tighten about 2/3 turn more after the gasket of cartridge contacts seal side of filter body for mounting.
- ※ Change cartridge after initial 50 hours of operation. Thereafter, change cartridge every 250 hours.



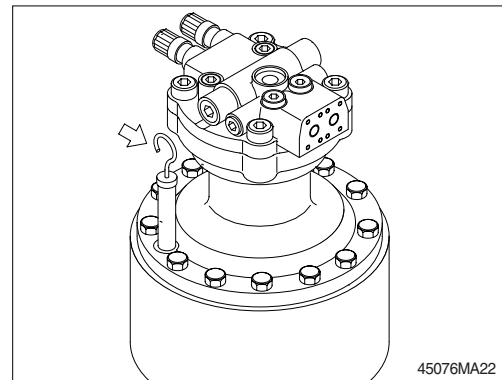
## 21) REPLACE OF PILOT LINE FILTER

- (1) Loosen the nut positioned on the filter body.
  - (2) Pull out the filter element and clean filter housing.
  - (3) Install the new element and tighten using specified torque.
- ※ **Change cartridge after initial 50 hours of operation. Thereafter, change cartridge every 250 hours.**



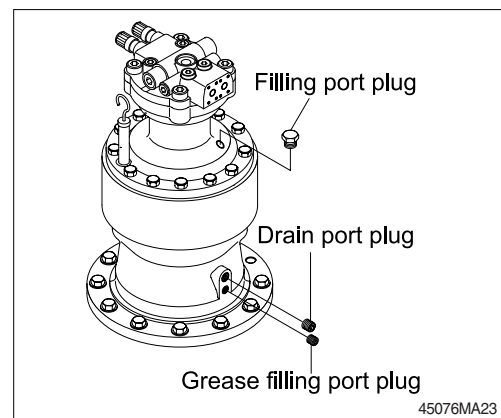
## 22) CHECK THE SWING REDUCTION GEAR OIL

- (1) Pull out the dipstick and clean it.
- (2) Insert it again.
- (3) Pull out one more time to check the oil level and fill the oil if the level is not sufficient.



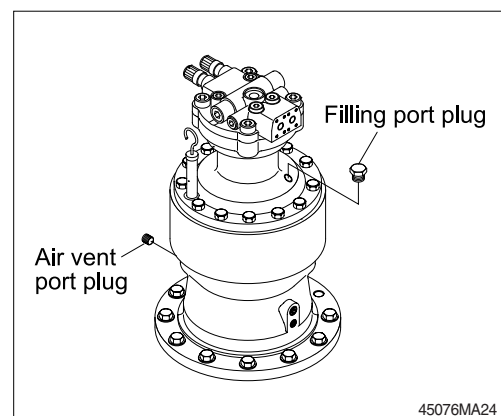
## 23) CHANGE SWING REDUCTION GEAR OIL

- (1) Raise the temperature of oil by swinging the machine before replace the oil and park the machine on the flat ground.
  - (2) Loosen the plug of the drain port.
  - (3) Drain into a proper container.
  - (4) Wash the drain plug and reinstall it with sealing tape.
- Fill proper amount of recommended oil.
- Amount of oil : 5 l ( 1.3U.S.gal)



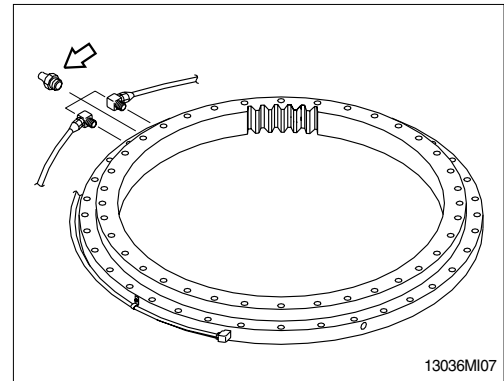
## 24) LUBRICATE BEARING OF OUTPUT SHAFT IN REDUCTION GEAR

- (1) Remove air vent plug.
  - (2) Remove grease fill plug and install grease fitting at that place.
  - (3) Lubricate NLGI No.2 with grease gun until comes out new grease from air vent port.
- ※ **Lubricate every 1000 hours.**



## 25) LUBRICATE SWING BEARING

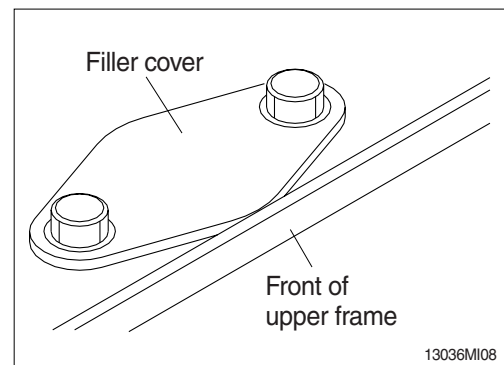
- (1) Grease at 3 fitting.
- ※ Lubricate every 50 hours.



## 26) SWING GEAR AND PINION

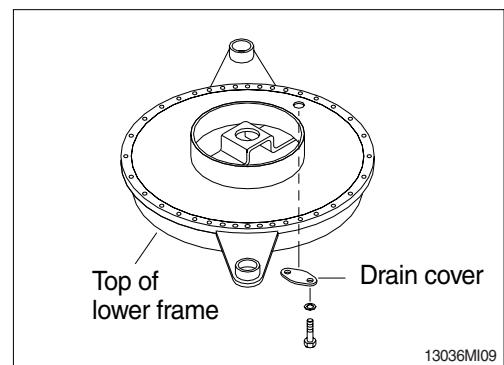
### (1) Drain old grease

- ① Remove under cover of lower frame.
- ② Remove drain cover of lower frame.
- ③ Remove filler cover of upper frame.
- ④ Operate full turn(360°) of swing several times.



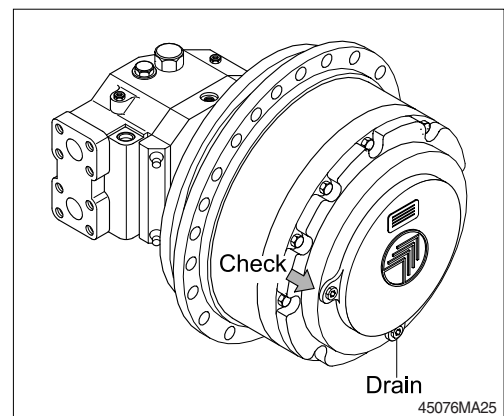
### (2) Refill new grease

- ① Install drain cover.
  - ② Fill with new grease.
  - ③ Install filler cover.
- Capacity : 13.9kg(31lb)



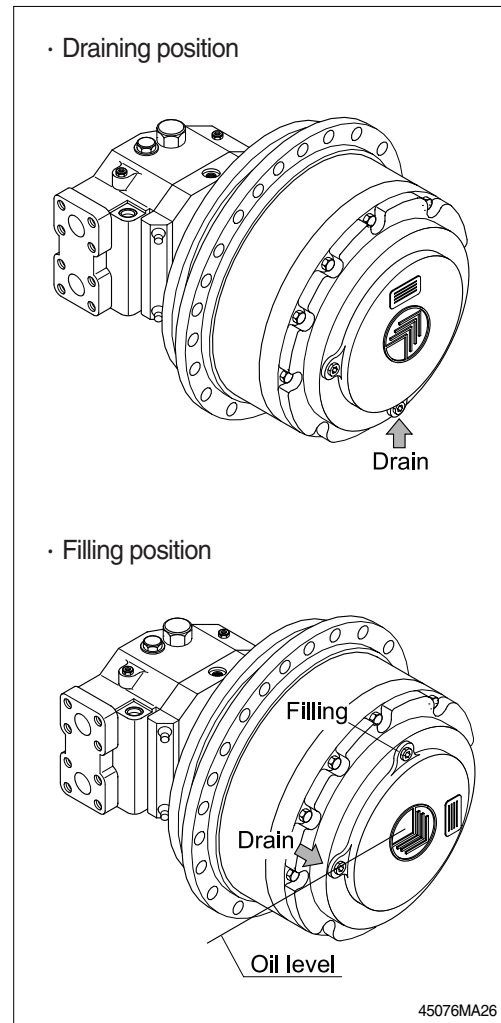
## 27) CHECK THE TRAVEL REDUCTION GEAR OIL

- (1) Operate the machine to the position of drain plug down to the flat ground.
- (2) Loosen the level plug and check the oil level.  
If the level is at the hole of the plug, it is normal.  
Fill the oil if it is not sufficient.



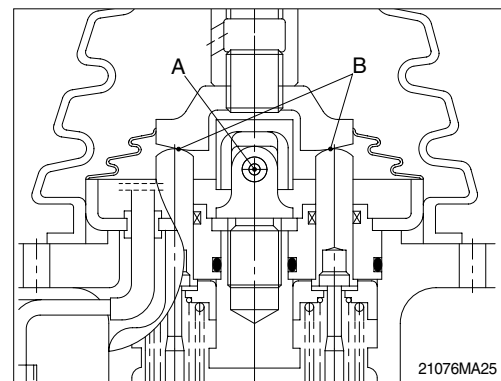
## 28) CHANGE OF THE TRAVEL REDUCTION GEAR OIL

- (1) Raise the temperature of the oil by traveling machine first.
- (2) Stop when the position of the drain plug is down.
- (3) Loosen the level plug and then the drain plug.
- (4) Drain the oil to adequate container.
- (5) Tighten the drain plug and fill specified amount of oil at filling port.
- (6) Tighten the level plug and travel slowly to check if there is any leakage of oil.



## 29) LUBRICATE RCV LEVER

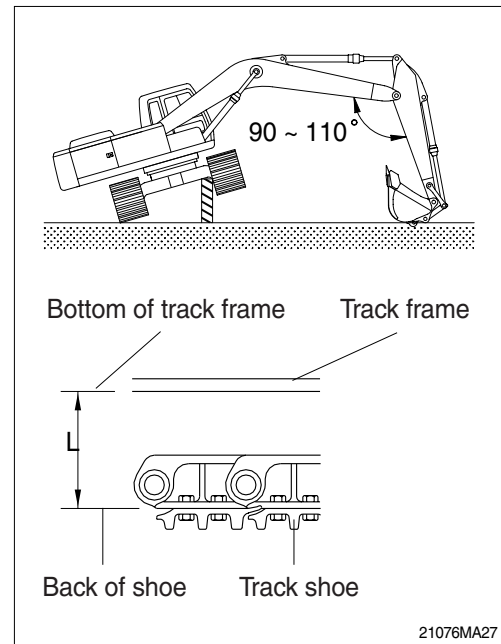
Remove the bellows and with a grease gun grease the joint part(A) and sliding parts(B).



### 30) ADJUSTMENT OF TRACK TENSION

- ※ It is important to adjust the tension of track properly to extend the lifetime of track and traveling device.
- ※ The wear of pins and bushings on the undercarriage will vary with the working conditions and soil properties.  
It is thus necessary to continually inspect the track tension so as to maintain the standard tension on it.

- (1) Raise the chassis with the boom and arm.
  - (2) Measure the distance between bottom of track frame on track center and track of shoe.
- ※ **Remove mud with rotating the track before measuring.**



- (3) If the tension is tight, drain the grease in the grease nipple and if the tension is loose, charge the grease.

- ▲ **Personal injury or death can result from grease under pressure.**
- ▲ **When loosening the grease nipple, do not loosen more than one turn as there is a danger of a spring coming out of the nipple because of the high pressure inside.**
- ※ **When the grease is drained, move the track to the forward and backward slightly.**  
If the track tension is loose even after the grease is charged to the maximum, change the pins and bushings as there are worn seriously.

Working condition	Length (L)	
	General	390~420mm
Swamp	420~460mm	16.5~18"
Sand, Mud, Pebbles	About 460mm	About 18"

### 3) REPLACEMENT OF BUCKET

△ When knocking the pin in with a hammer, metal particles may fly and cause serious injury, particularly if they get into your eyes. When carrying out this operation, always wear goggles, helmet, gloves, and other protective equipment.

- ※ When the bucket is removed, place it in a stable condition.
- ※ When performing joint work, make sure signals to each other and work carefully for safety's sake.

(1) Lower the bucket on the ground as the picture shown in the right.

(2) Lock the safety lever to the LOCK position and stop the engine.

(3) Remove the stopper bolts(1) and nuts(2), then remove pins(3, 4) and remove the bucket.

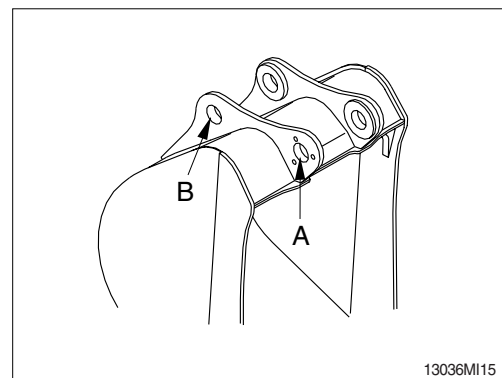
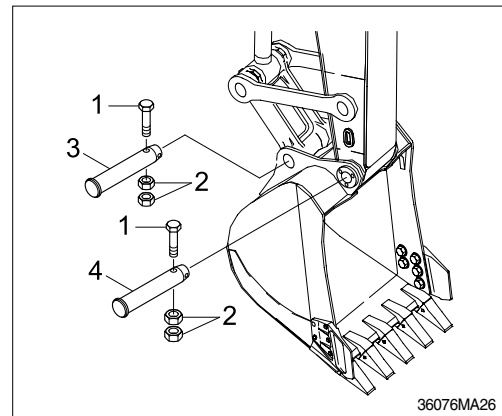
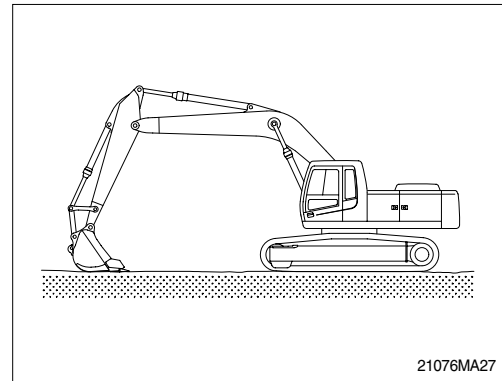
※ When removing the pins, place the bucket so that it is in light contact with the ground.

※ If the bucket is lowered strongly to the ground, the resistance will be increased and it will be difficult to remove the pins.

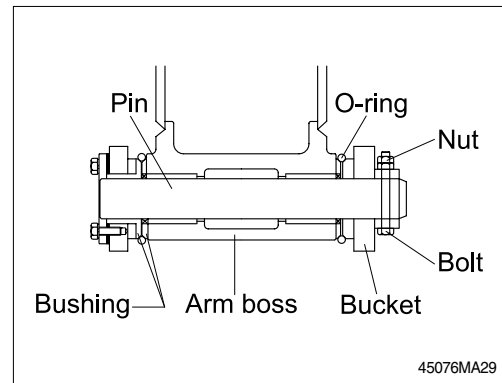
※ After remove the pins, make sure that they do not become contaminated with sand or mud and that the seals of bushing on both sides do not become damaged.

(4) Align the arm with holes(A) and the link with holes(B), then coat with grease and install pins(3, 4)

※ When installing the bucket, the O-rings are easily damaged, so fit the O-rings on the boss of the bucket as shown in the picture. After knocking the pin, move the O-ring down to the regular groove.



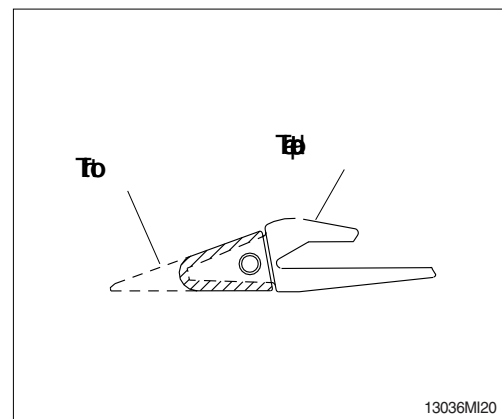
- (5) Install the stopper bolt(1) and nuts(2) for each pin, then grease the pin.



### 32) REPLACEMENT OF BUCKET TOOTH

#### (1) Timing of replacement

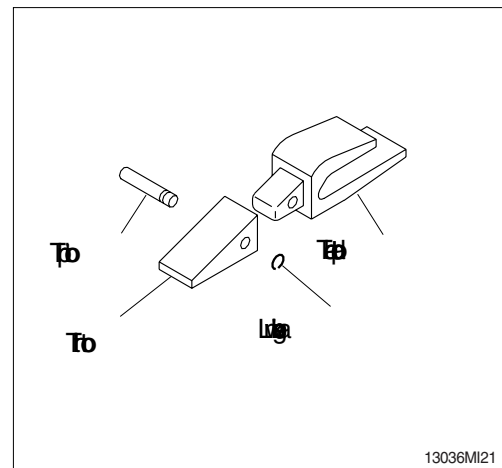
- ① Check wearing condition as shown in the illustration and replace tooth tip before adapter starts to wear.
- ② If excessive use, tooth adapter has worn out, replacement may become impossible.



#### (2) Instructions for replacement

- ① Pull out pin by striking pin with punch or hammer, avoiding damage to locking washer.
- ② Remove dust and mud from surface of tooth adapter by using knife.
- ③ Place locking washer in its proper place, and fit tooth tip to adapter.
- ④ Insert pin until locking washer is positioned at tooth pin groove.

- ▲ Personal injury can result from bucket falling.
- ▲ Block the bucket before changing tooth tips or side cutters.



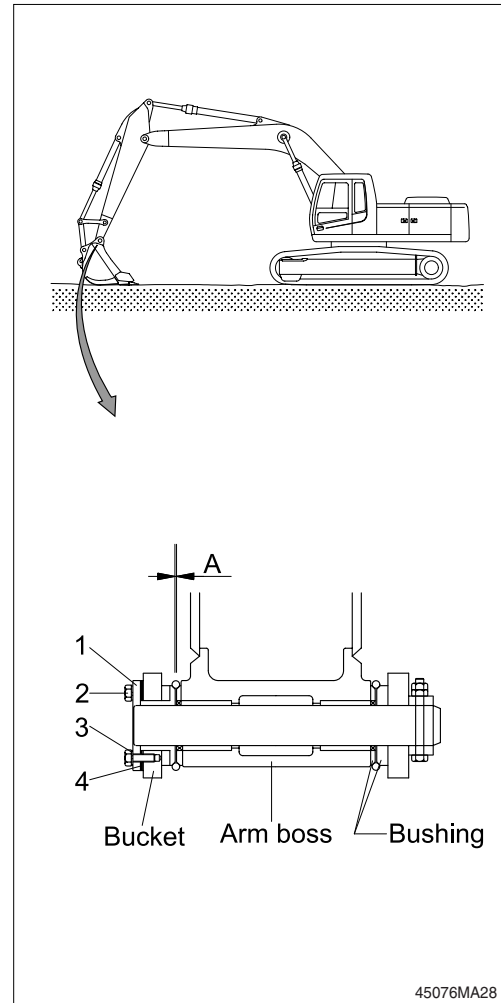
### 33) ADJUSTMENT OF BUCKET CLEARANCE

- (1) Lower the bucket on the ground as the picture shown in the right.
- (2) Swing to the left and keep the arm boss to be contact to the bucket left.
- (3) Lock the safety lever to the LOCK position and stop the engine.
- (4) Measure the clearance(A) between bucket and arm boss. This is the total clearance.

#### (5) Adjusting

- ① Loosen bolt(2), and remove washer(3), plate(1) and shim(4).
- ② Remove the shim equivalent value with measuring value.
- ③ Assemble the parts in the reverse order of removal.
  - Tightening torque :  $29.6 \pm 3.2 \text{kgf} \cdot \text{m}$   
( $214.0 \pm 23.1 \text{lbf} \cdot \text{ft}$ )
  - Normal clearance :  $0.5 \sim 1.0 \text{mm}$   
( $0.02 \sim 0.04 \text{in}$ )

※ If the bucket is not adjusted correctly, noise and vibration created during operation, and damaged O-ring, pin and bushing quickly.



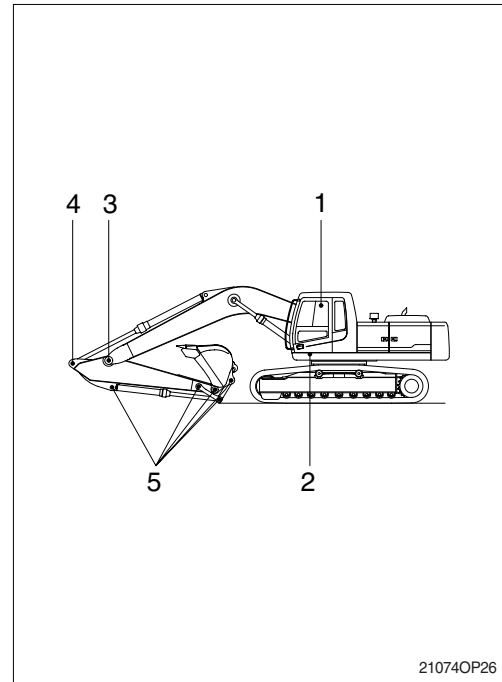
### 34) LUBRICATE PIN AND BUSHING

#### (1) Lubricate to each pin of working device

Lubricate the grease to the grease nipple according to the lubricating interval.

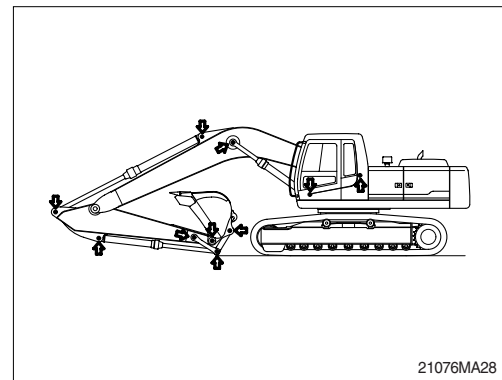
No.	Description	Qty
1	Lubrication manifold at boom	5
2	Boom cylinder pin	2
3	Boom and arm connection pin	1
4	Arm cylinder pin(Rod side)	1
5	Bucket cylinder pin(Head, rod)	2
	Bucket link(Control rod)	3
	Arm and bucket connection pin	1
	Arm and control link connection pin	1

※ Shorten lubricating interval when working in the water or dusty place.



#### (2) Dust seals are mounted on the rotating part of working device to extend the lubricating interval.

※ Mount the lip to be faced outside when replace the dust seal.



※ If it is assembled in wrong direction, it will cause fast wear of pin and bushing, and create noise and vibration during operation.

※ Assemble the seal same direction with picture and use with plastic hammer when replace.

