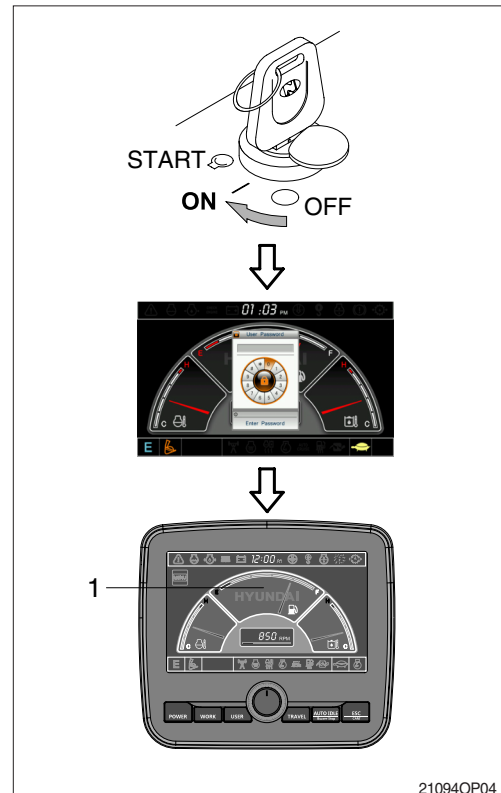


### 3. STARTING AND STOP THE ENGINE

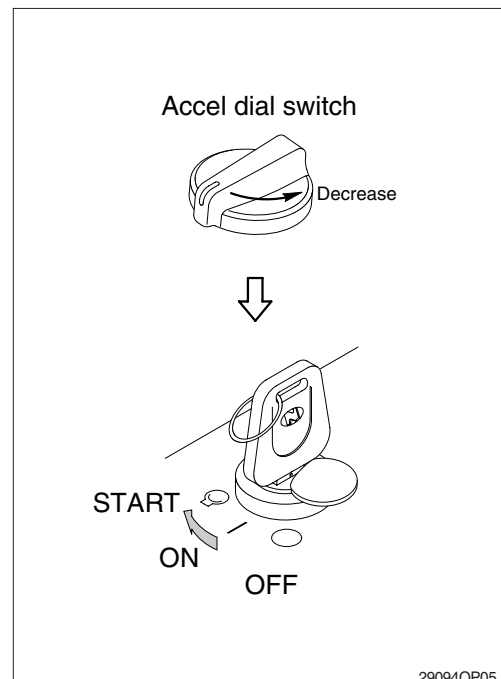
#### 1) CHECK INDICATOR LIGHTS

- (1) Check if all the operating levers are in the neutral position.
- (2) Turn the starting switch to the ON position.  
Buzzer sounding for 4 seconds with HYUNDAI logo on cluster.
  - ※ If the ESL mode is set to the enable, enter the password to start engine.
  - ※ If the password has failed 5 times, please wait 30 minutes before re-attempting to enter the password.
  - ※ Refer to page 3-17 for ESL mode.
- (3) After initialization of cluster, the operating screen is displayed on LCD (1).  
Also, self-diagnostic function is carried out.



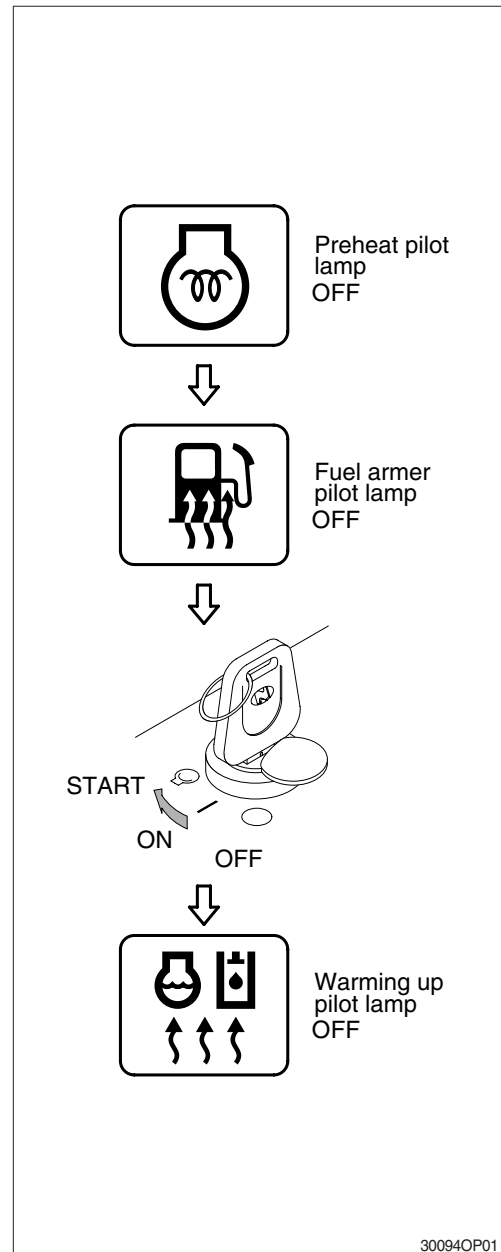
#### 2) STARTING ENGINE IN NORMAL TEMPERATURE

- ※ Sound the horn to warn the surroundings after checking if personnel or obstacles are in the area.
- (1) Turn the accel dial switch to low idle position.
  - (2) Turn the starting switch to START position to start the engine.
    - ※ Do not hold the starting switch in the START position for longer than 20 seconds.  
The start system may be seriously damaged.
    - ※ If the engine does not start, allow the stator to cool for about 2 minutes before re-attempting to start the engine again.
  - (3) Release the starting switch instantly after the engine starts to avoid possible damage to the starting motor.



### 3) STARTING ENGINE IN COLD WEATHER

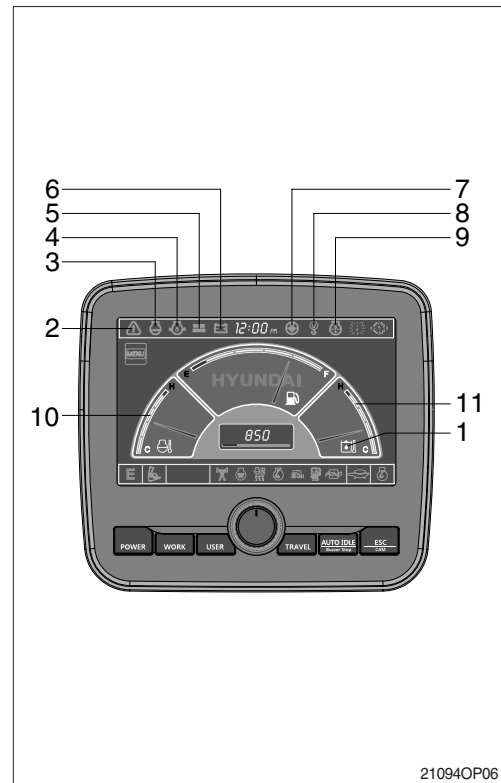
- ※ Sound horn to warn surroundings after checking if there are obstacles in the area.
  - ※ Replace the engine oil and fuel referring to recommended oils at page 2-30.
  - ※ Fill the anti-freeze solution to the coolant as required.
  - ※ If you turn ON the starting switch, the fuel warmer is automatically operated to heat the fuel by sensing the coolant temperature.
- (1) Check if all the levers are in the neutral position.
  - (2) Turn the accel dial switch to low idle position.
  - (3) Turn the starting switch to the ON position, and wait 1~2 minutes. More time may take according to ambient temperature.
  - (4) Wait for five minutes to warm up the engine after the preheating pilot lamp off, and then turn the starting switch to the START position to start the engine.
    - ※ If the engine does not start, allow the starter to cool for about 2 minutes before attempting to start the engine again.
  - (5) Release the starting switch immediately after starting engine.
  - (6) If the temperature of the coolant is lower than 30°C the warming up automatically starts.
    - ※ Do not operate the working devices, or convert the operation mode into other mode during the warming up.



#### 4) INSPECTION AFTER ENGINE START

Inspect and confirm the following after engine starts.

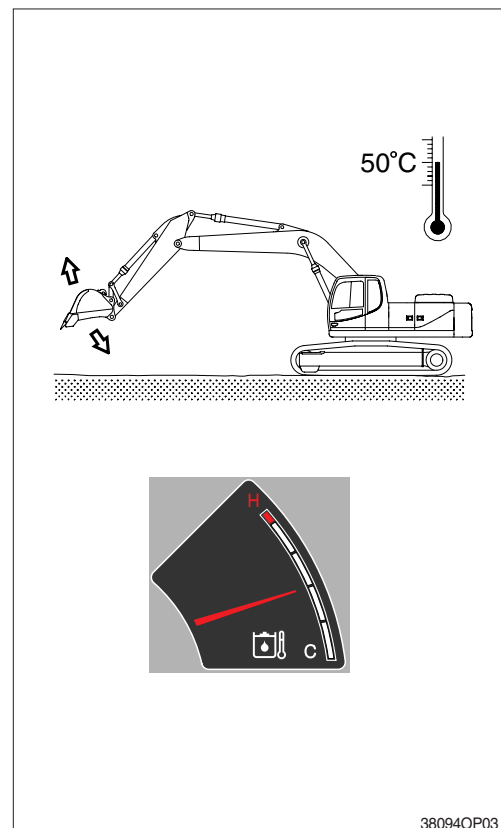
- (1) Is the level gauge of hydraulic oil tank in the normal level?
  - (2) Are there leakages of oil or water?
  - (3) Are all the warning lamps turned OFF (1-9)?
  - (4) Are the indicator of water temperature gauge (10) and hydraulic temperature gauge (11) in the operating range?
  - (5) Are the engine sound and the color of exhaust gas normal?
  - (6) Are the sound and vibration normal?
- ※ **Do not increase engine speed quickly after starting, it can damage engine or turbocharger.**
  - ※ **If there are problems in the cluster, stop the engine immediately and correct problems as required.**



#### 5) WARMING-UP OPERATION

- ※ **The most suitable temperature for the hydraulic oil is about 50°C (122°F). It can cause serious trouble in the hydraulic system by sudden operation when the hydraulic oil temperature is below 25°C (77°F). Then temperature must be raised to at least 25°C (77°F) before starting work.**

- (1) Run the engine at low idle speed for 5 minutes.
- (2) Speed up the engine by accel dial and run the engine at mid-range speed.
- (3) Operate bucket lever for 5 minutes.
  - ※ **Do not operate anything except bucket lever.**
- (4) Run the engine at the high speed and operate the bucket lever and arm lever for 5-10 minutes.
  - ※ **Operate only the bucket lever and arm lever.**
- (5) This warming-up operation will be completed by operation of all cylinders several times, and operation of swing and traveling.



## 6) TO STOP THE ENGINE

- ※ If the engine is abruptly stopped before it has cooled down, engine life may be greatly shortened. Consequently, do not abruptly stop the engine apart from an emergency.
  - ※ In particular, if the engine has overheated, do not abruptly stop it but run it at medium speed to allow it to cool gradually, then stop it.
- (1) Down the bucket on the ground then put all the levers in the neutral position.
  - (2) Run the engine at low idle speed for about 5 minutes.
  - (3) Return the key of starting switch to the OFF position.
  - (4) Remove the key to prevent other people using the machine and LOCK safety lever.
  - (5) Lock the cab door.

