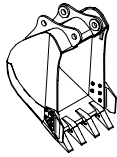
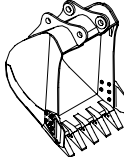
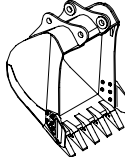
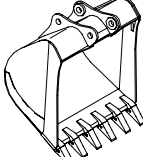
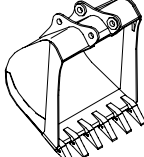


6. BUCKET SELECTION GUIDE

1) GENERAL BUCKET

				
1.46 m ³ SAE heaped bucket	※ 1.62 m ³ SAE heaped bucket	1.86 m ³ SAE heaped bucket	2.10 m ³ SAE heaped bucket	2.32 m ³ SAE heaped bucket

Capacity		Width		Weight	Recommendation					
					6.5 m (21' 4") boom				6.15 m (20' 2") boom	8.6 m (28' 3") boom
SAE heaped	CECE heaped	Without side cutter	With side cutter		2.5 m arm (8' 2")	3.2 m arm (10' 6")	3.9 m arm (12' 10")	4.3 m arm (14' 1")	2.5 m arm (8' 2")	5.1 m arm (16' 9")
1.46 m ³ (1.91 yd ³)	1.27 m ³ (1.66 yd ³)	1380 mm (54.3")	1510 mm (59.4")	1170 kg (2580 lb)						
※ 1.62 m ³ (2.12 yd ³)	1.40 m ³ (1.83 yd ³)	1440 mm (56.7")	1570 mm (61.8")	1280 kg (2820 lb)						
1.86 m ³ (2.43 yd ³)	1.60 m ³ (2.1 yd ³)	1620 mm (63.8")	1750 mm (68.9")	1390 kg (3060 lb)						
2.10 m ³ (2.75 yd ³)	1.80 m ³ (2.4 yd ³)	1810 mm (71.3")	1940 mm (76.4")	1520 kg (3350 lb)						
2.32 m ³ (3.03 yd ³)	2.00 m ³ (2.62 yd ³)	1990 mm (78.3")	2120 mm (83.5")	1760 kg (3880 lb)						

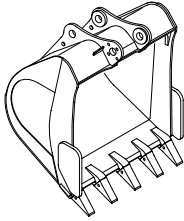
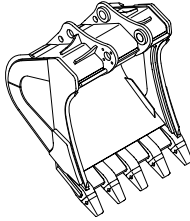
※ : Standard bucket

Applicable for materials with density of 2000 kg/m³ (3370 lb/yd³) or less

Applicable for materials with density of 1600 kg/m³ (2700 lb/yd³) or less

Applicable for materials with density of 1100 kg/m³ (1850 lb/yd³) or less

2) HEAVY DUTY AND ROCK-HEAVY DUTY BUCKET

	
<p>◆ 1.62 m³ SAE heaped bucket</p>	<p>⊙ 1.44 m³, 1.62 m³, 1.86 m³ SAE heaped bucket</p>

Capacity		Width		Weight	Recommendation				
					6.5 m (21' 4") boom				6.15 m (20' 2") boom
SAE heaped	CECE heaped	Without side cutter	With side cutter		2.5 m arm (8' 2")	3.2 m arm (10' 6")	3.9 m arm (12' 10")	4.3 m arm (14' 1")	2.5 m arm (8' 2")
◆ 1.62 m ³ (2.12 yd ³)	1.40 m ³ (1.83 yd ³)	1540 mm (60.6")	-	1570 kg (3460 lb)					
⊙ 1.44 m ³ (1.88 yd ³)	1.27 m ³ (1.66 yd ³)	1280 mm (50.4")	-	1565 kg (3450 lb)					
⊙ 1.62 m ³ (2.12 yd ³)	1.40 m ³ (1.83 yd ³)	1545 mm (60.8")	-	1610 kg (3550 lb)					
⊙ 1.86 m ³ (2.43 yd ³)	1.60 m ³ (2.1 yd ³)	1725 mm (67.9")	-	1710 kg (3770 lb)					

◆ : Heavy duty bucket

⊙ : Rock-heavy duty bucket

Applicable for materials with density of 2000 kg/m³ (3370 lb/yd³) or less

Applicable for materials with density of 1600 kg/m³ (2700 lb/yd³) or less

Applicable for materials with density of 1100 kg/m³ (1850 lb/yd³) or less