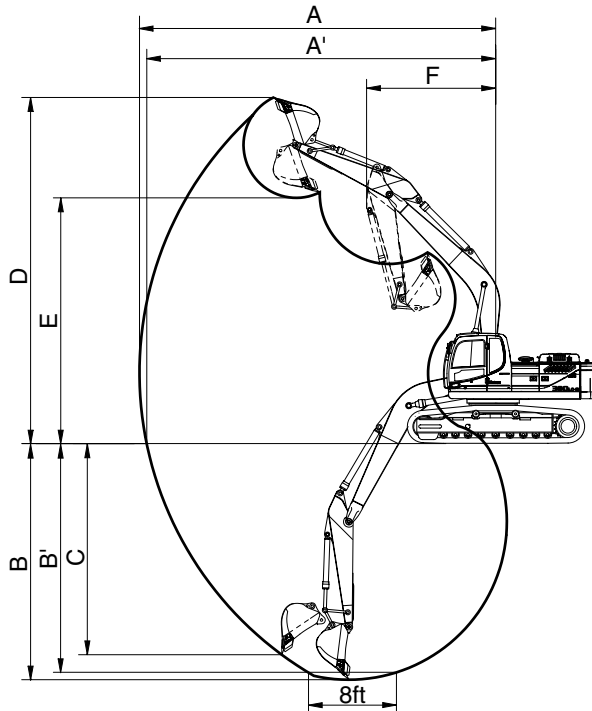


3. WORKING RANGE

· 6.5 m (21' 4") BOOM

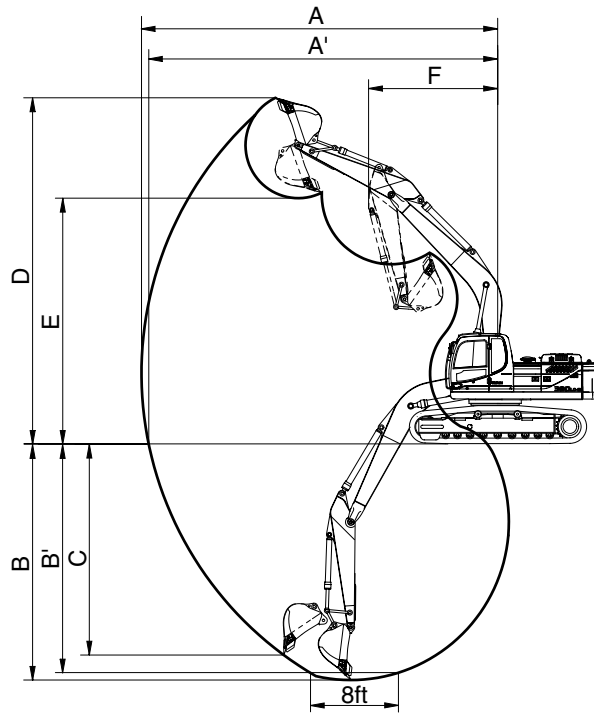


38092SP03

Description		2.5 m (8' 2") Arm	*3.2 m (10' 6") Arm	3.9 m (12' 10") Arm	4.3 m (14' 1") Arm
Max digging reach	A	10720 mm (35' 2")	11250 mm (36'11")	11870 mm (38'11")	12380 mm (40' 7")
Max digging reach on ground	A'	10490 mm (34' 5")	11040 mm (36' 3")	11670 mm (38' 3")	12180 mm (40' 0")
Max digging depth	B	6820 mm (22' 5")	7520 mm (24' 8")	8220 mm (27' 0")	8620 mm (28' 3")
Max digging depth (8ft level)	B'	6640 mm (21' 9")	7360 mm (24' 2")	8080 mm (26' 6")	8490 mm (27'10")
Max vertical wall digging depth	C	5930 mm (19' 5")	6330 mm (20' 9")	7040 mm (23' 1")	7540 mm (24' 9")
Max digging height	D	10590 mm (34' 9")	10570 mm (34' 8")	10800 mm (35' 5")	11360 mm (37' 3")
Max dumping height	E	7370 mm (24' 2")	7410 mm (24' 4")	7640 mm (25' 1")	8160 mm (26' 9")
Min swing radius	F	4530 mm (14'10")	4450 mm (14' 7")	4440 mm (14' 7")	4460 mm (14' 8")
Bucket digging force	SAE	201.0 [219.3] kN	201.0 [219.3] kN	201.0 [219.3] kN	201.0 [219.3] kN
		20500 [22360] kgf	20500 [22360] kgf	20500 [22360] kgf	20500 [22360] kgf
		45190 [49300] lbf	45190 [49300] lbf	45190 [49300] lbf	45190 [49300] lbf
	ISO	228.5 [249.3] kN	228.5 [249.3] kN	228.5 [249.3] kN	228.5 [249.3] kN
		23300 [25420] kgf	23300 [25420] kgf	23300 [25420] kgf	23300 [25420] kgf
		51370 [56040] lbf	51370 [56040] lbf	51370 [56040] lbf	51370 [56040] lbf
Arm crowd force	SAE	184.4 [201.1] kN	152.0 [165.8] kN	135.3 [147.6] kN	124.5 [135.9] kN
		18800 [20510] kgf	15500 [16910] kgf	13800 [15050] kgf	12700 [13850] kgf
		41450 [45220] lbf	34170 [37280] lbf	30420 [33190] lbf	28000 [30550] lbf
	ISO	192.2 [209.7] kN	156.9 [171.2] kN	139.3 [151.9] kN	128.5 [140.1] kN
		19600 [21380] kgf	16000 [17450] kgf	14200 [15490] kgf	13100 [14290] kgf
		43210 [47140] lbf	35270 [38480] lbf	31310 [34160] lbf	28880 [31510] lbf

[] : Power boost * : STD

· 6.15 m (20' 2") BOOM

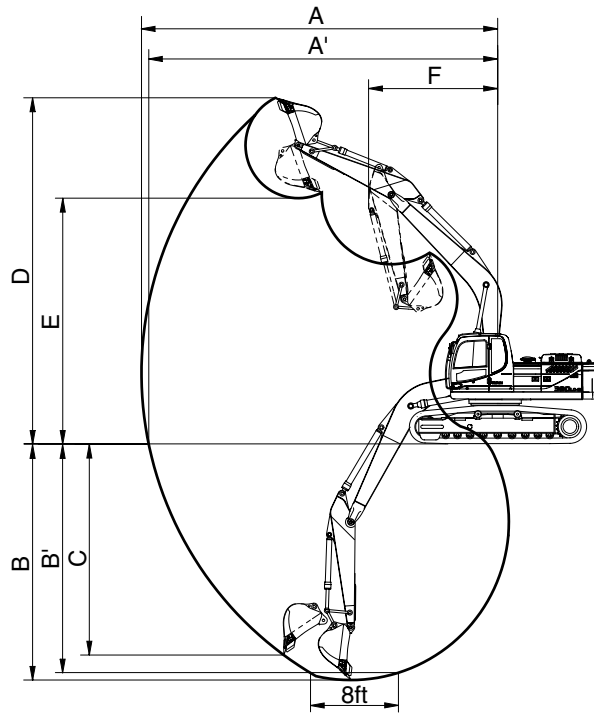


38092SP03

Description		2.5 m (8' 2") Arm	
Max digging reach	A	10330 mm (33'11")	
Max digging reach on ground	A'	10100 mm (33' 2")	
Max digging depth	B	6450 mm (21' 2")	
Max digging depth (8ft level)	B'	6270 mm (20' 7")	
Max vertical wall digging depth	C	5490 mm (18' 0")	
Max digging height	D	10320 mm (33'10")	
Max dumping height	E	7120 mm (23' 4")	
Min swing radius	F	4220 mm (13'10")	
Bucket digging force	SAE	201.0 [219.3] kN	
		20500 [22360] kgf	
		45190 [49300] lbf	
	ISO	228.5 [249.3] kN	
		23300 [25420] kgf	
		51370 [56040] lbf	
Arm crowd force	SAE	184.4 [201.1] kN	
		18800 [20510] kgf	
		41450 [45220] lbf	
	ISO	192.2 [209.7] kN	
		19600 [21380] kgf	
		43210 [47140] lbf	

[] : Power boost

• 8.6 m (28' 3") BOOM



38092SP03

Description		5.1 m (16' 9") Arm	
Max digging reach	A	15280 mm (50' 2")	
Max digging reach on ground	A'	15120 mm (49' 7")	
Max digging depth	B	11230 mm (36' 10")	
Max digging depth (8ft level)	B'	11120 mm (36' 6")	
Max vertical wall digging depth	C	10060 mm (33' 0")	
Max digging height	D	13350 mm (43' 10")	
Max dumping height	E	10150 mm (33' 4")	
Min swing radius	F	5900 mm (19' 4")	
Bucket digging force	SAE	201.0 [220.4] kN	
		20500 [22360] kgf	
		45190 [49550] lbf	
	ISO	228.5 [250.3] kN	
		23300 [25420] kgf	
		51370 [56280] lbf	
Arm crowd force	SAE	109.8 [119.8] kN	
		11200 [12220] kgf	
		24690 [26930] lbf	
	ISO	112.8 [123.0] kN	
		11500 [12550] kgf	
		25350 [27650] lbf	

[] : Power boost