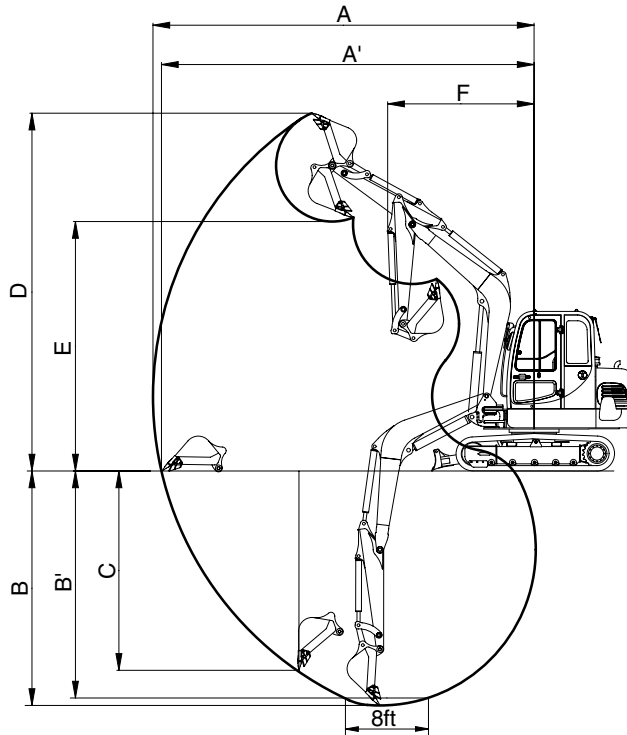


3. WORKING RANGE

1) 2.5 m (8' 2") MONO BOOM WITH BOOM SWING POST



R5572SP03

Description		1.3 m (4' 3") Arm
Max digging reach	A	5360 mm (17' 7")
Max digging reach on ground	A'	5240 mm (17' 2")
Max digging depth	B	3150 mm (10' 4")
Max digging depth (8ft level)	B'	2660 mm (8' 9")
Max vertical wall digging depth	C	2190 mm (7' 2")
Max digging height	D	4830 mm (15'10")
Max dumping height	E	3450 mm (11' 4")
Min swing radius	F	2350 mm (7' 9")
Boom swing radius (left/right)		75°/50°
Bucket digging force	SAE	27.9 kN
		2850 kgf
		6280 lbf
	ISO	31.4 kN
		3200 kgf
		7050 lbf
Arm crowd force	SAE	18.9 kN
		1930 kgf
		4250 lbf
	ISO	19.5 kN
		1990 kgf
		4390 lbf