

# CONTROL DEVICES

## 1. CAB DEVICES

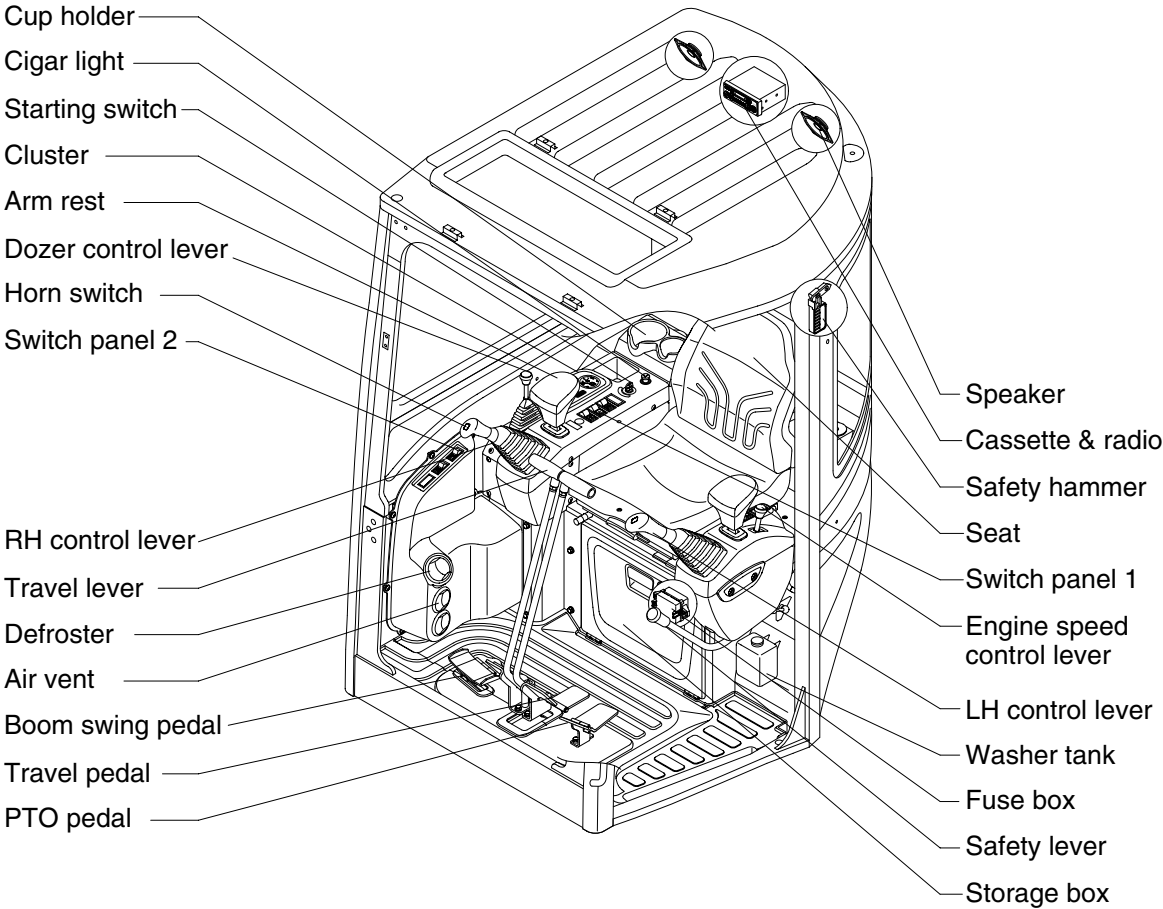
1) The ergonomically designed console box and suspension type seat provide the operator with comfort.

### 2) ELECTRONIC MONITOR SYSTEM

(1) The centralized electronic monitor system allows the status and conditions of the machine to be monitored at a glance.

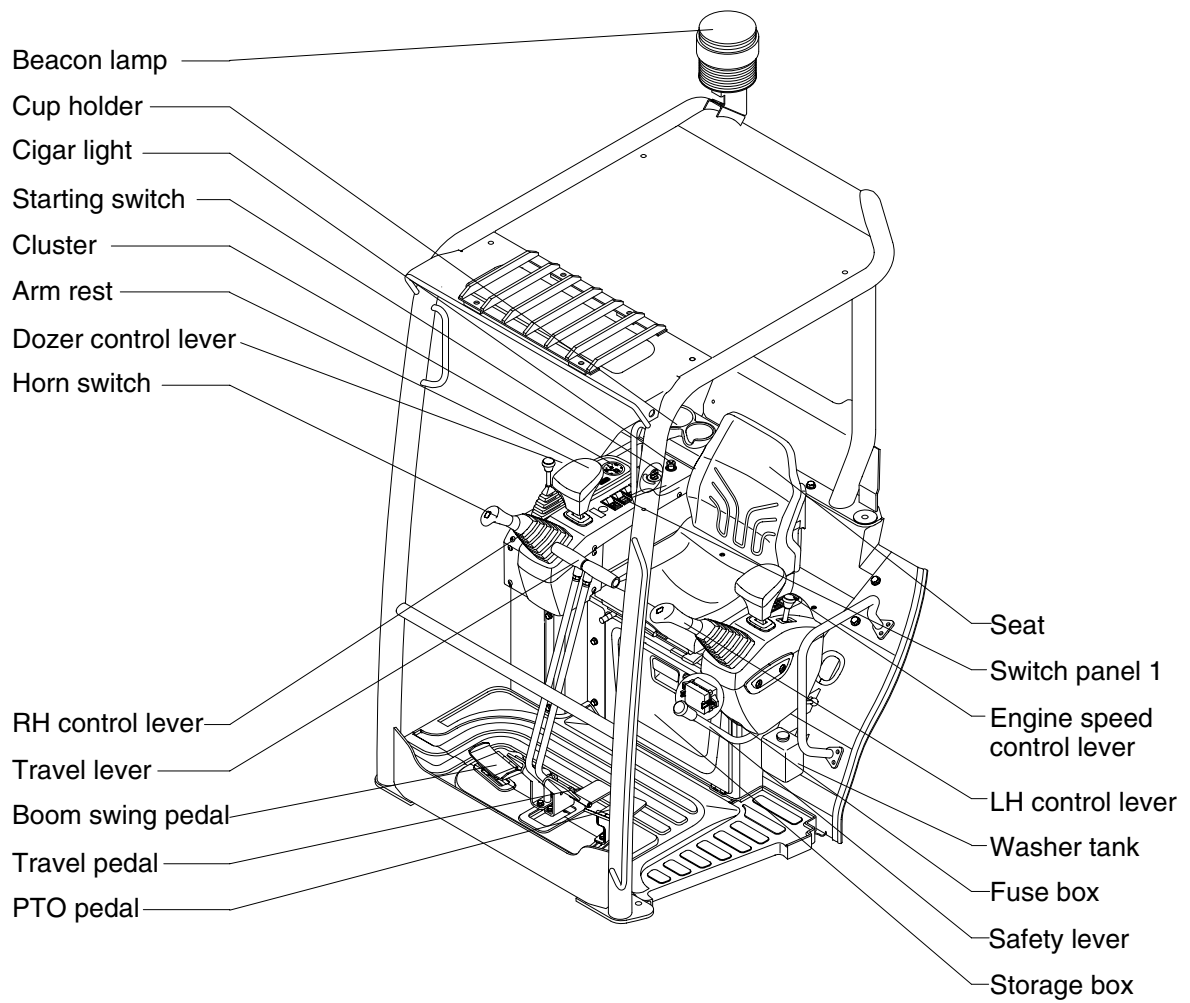
(2) It is equipped with a safety warning system for early detection of machine malfunction.

#### ■ CABIN TYPE



R35Z73CD11

■ CANOPY TYPE



R35Z73CD80