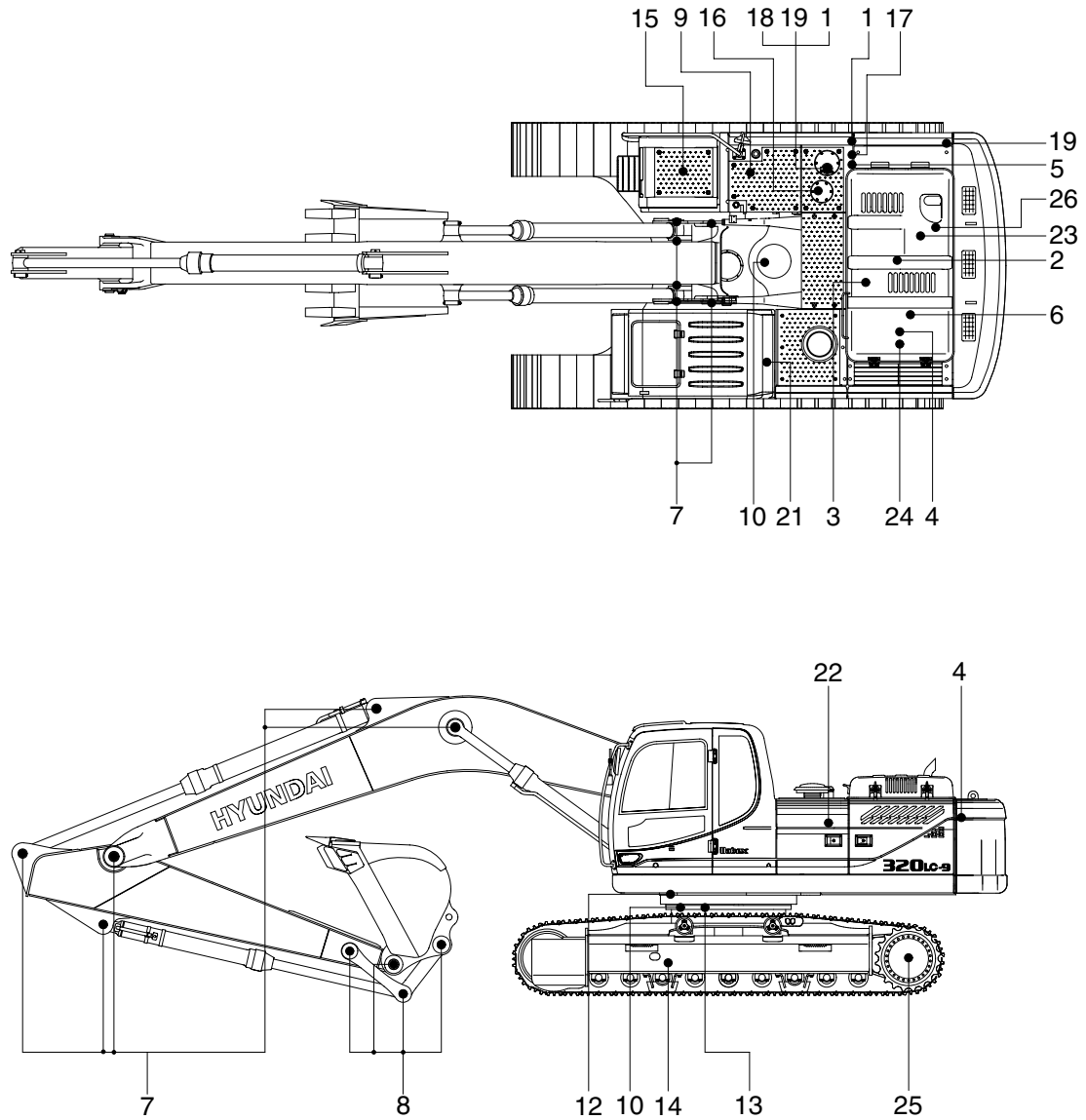


5. MAINTENANCE CHART



32096MA01

Caution

1. Service intervals are based on the hour meter reading.
2. The number of each item shows the lubrication point on the machine.
3. Stop engine while filling oil, and use no open flames.

Service interval	No.	Description	Service action	Oil symbol	Capacity / (U.S.gal)	Service points No.
10 Hours or daily	1	Hydraulic oil level	Check, Add	HO	190 (50)	1
	2	Engine oil level	Check, Add	EO	35 (9.2)	1
	4	Radiator coolant	Check, Add	C	45 (12)	1
	5	Prefilter (water, element)	Check, Clean	-	-	1
	6	Fan belt tension and damage	Check, Adjust	-	-	1
	9	Fuel tank	Check, Refill	DF	500 (132)	1
50 Hours or weekly	8	Bucket linkage pin	Check, Add	PGL	-	6
	9	Fuel tank (water, sediment)	Check, Clean	-	-	1
	10	Swing bearing grease	Check, Add	PGL	-	3
	11	Swing reduction gear case	Check, Add	GO	6.0 (1.6)	1
	14	Track tension	Check, Adjust	PGL	-	2
250 Hours	7	Attachment pins & bushing	Check, Add	PGL	-	11
	15	Battery (voltage)	Check, Clean	-	-	1
	18	Air breather element	Replace	-	-	1
	21	Aircon and heater fresh air filter	Check, Clean	-	-	1
500 Hours	2	Engine oil	Change	EO	35 (9.2)	1
	3	Engine oil filter	Replace	-	-	1
	5	Prefilter	Replace	-	-	1
	22	Air cleaner element (primary)	Check, Clean	-	-	1
	23	Fuel filter element	Replace	-	-	1
	24	Radiator, oil cooler, charge air cooler	Check, Clean	-	-	3
	26	Water filter(corrosion resister)	Replace	-	-	1
1000 Hours	6	Fan belt tensioner	Check, Replace	-	-	1
	11	Swing reduction gear case	Change	GO	6.0 (1.6)	1
	12	Swing reduction gear grease	Change	PGL	1.8 kg (4.0 lb)	1
	13	Swing gear and pinion grease	Change	PGL	10.4 kg (22.9 lb)	1
	16	Hydraulic oil return filter	Replace	-	-	1
	17	Drain filter cartridge	Replace	-	-	1
	20	Pilot line filter element	Replace	-	-	1
	25	Travel reduction gear case	Change	GO	8.0 (2.1)	2
2000 Hours	1	Hydraulic oil * ¹	Change	HO	190 (50)	1
	4	Radiator coolant	Change	C	45 (12)	1
	19	Hydraulic oil suction strainer	Check, Clean	-	-	1
5000 Hours	1	Hydraulic oil * ²	Change	HO	190 (50)	1
As required	21	Aircon & heater fresh filter	Replace	-	-	1
	21	Aircon & heater recirculation filter	Clean, Replace	-	-	1
	22	Air cleaner element (primary, safety)	Replace	-	-	2

*¹ Conventional hydraulic oil *² Hyundai genuine long life hydraulic oil

※ Oil symbol

Please refer to the recommended lubricants for specification.

DF : Diesel fuel

GO : Gear oil

HO : Hydraulic oil

C : Coolant

PGL : Grease

EO : Engine oil