

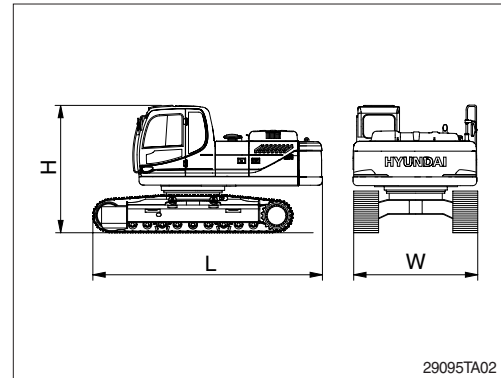
2. DIMENSION AND WEIGHT

1) R320LC-9

(1) Base machine

Mark	Description	Unit	Specification
L	Length	mm (ft-in)	5730 (18' 10")
H	Height	mm (ft-in)	3090 (10' 2")
W	Width	mm (ft-in)	3280 (10' 9")
Wt	Weight	kg (lb)	26200 (57760)

※ With 600 mm (24") triple grouser shoes and 6200 kg (13670 lb) counterweight.

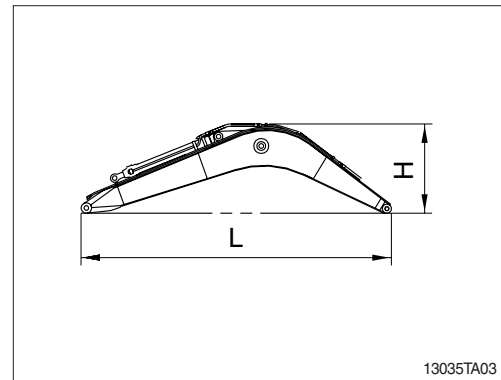


29095TA02

(2) Boom assembly

Mark	Description	Unit	Specification
L	Length	mm (ft-in)	6670 (21' 11")
H	Height	mm (ft-in)	1720 (5' 8")
W	Width	mm (ft-in)	785 (2' 7")
Wt	Weight	kg (lb)	3040 (6700)

※ 6.45 m (21' 2") boom with arm cylinder (included piping and pins).

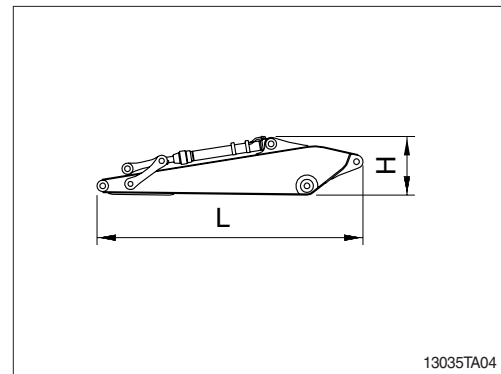


13035TA03

(3) Arm assembly

Mark	Description	Unit	Specification
L	Length	mm (ft-in)	4340 (14' 3")
H	Height	mm (ft-in)	955 (3' 2")
W	Width	mm (ft-in)	435 (1' 5")
Wt	Weight	kg (lb)	1780 (3920)

※ 3.2 m (10' 6") arm with bucket cylinder (included linkage and pins).

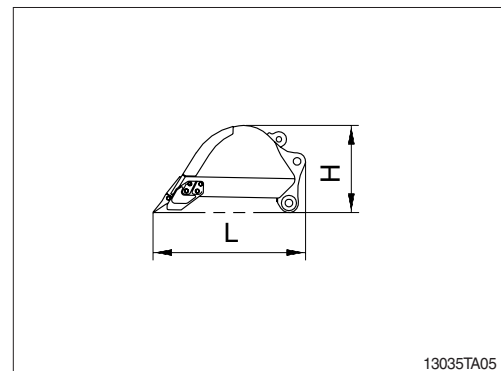


13035TA04

(4) Bucket assembly

Mark	Description	Unit	Specification
L	Length	mm (ft-in)	1840 (6' 0")
H	Height	mm (ft-in)	1120 (3' 8")
W	Width	mm (ft-in)	1535 (5' 0")
Wt	Weight	kg (lb)	1110 (2450)

※ 1.44 m³ (1.88 yd³) SAE heaped bucket (included tooth and side cutters).

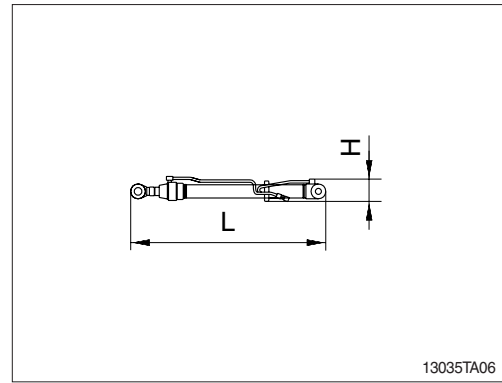


13035TA05

(5) Boom cylinder

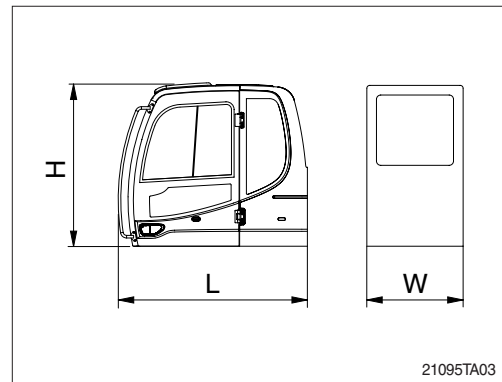
Mark	Description	Unit	Specification
L	Length	mm (ft-in)	2305 (7' 7")
H	Height	mm (ft-in)	276 (0' 11")
W	Width	mm (ft-in)	420 (1' 5")
Wt	Weight	kg (lb)	560 (1235)

※ Included piping.



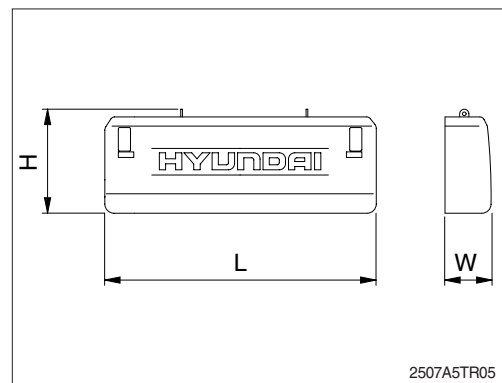
(6) Cab assembly

Mark	Description	Unit	Specification
L	Length	mm (ft-in)	1962 (6' 4")
H	Height	mm (ft-in)	1686 (5' 6")
W	Width	mm (ft-in)	1000 (3' 3")
Wt	Weight	kg (lb)	490 (1080)



(7) Counterweight

Mark	Description	Unit	Specification
L	Length	mm (ft-in)	2980 (9' 9")
H	Height	mm (ft-in)	1045 (3' 9")
W	Width	mm (ft-in)	590 (1' 11")
Wt	Weight	kg (lb)	6200 (13670)

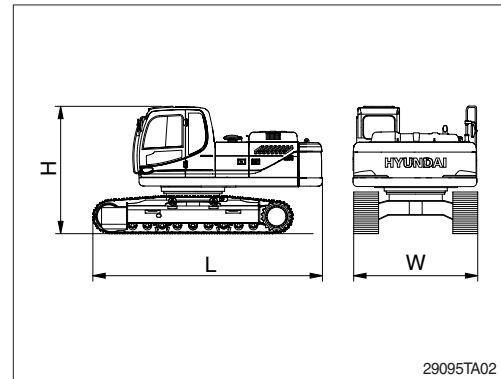


2) R320NLC-9

(1) Base machine

Mark	Description	Unit	Specification
L	Length	mm (ft-in)	5730 (18' 10")
H	Height	mm (ft-in)	3090 (10' 2")
W	Width	mm (ft-in)	2990 (9' 10")
Wt	Weight	kg (lb)	26000 (57320)

※ With 600 mm (24") triple grouser shoes and 6200 kg (13670 lb) counterweight.



3) R320LC-9 HIGH WALKER

(1) Base machine

Mark	Description	Unit	Specification
L	Length	mm (ft-in)	5730 (18' 10")
H	Height	mm (ft-in)	3390 (11' 1")
W	Width	mm (ft-in)	3470 (11' 5")
Wt	Weight	kg (lb)	28700 (63270)

※ With 600 mm (24") triple grouser shoes and 6200 kg (13670 lb) counterweight.

