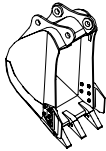
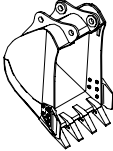
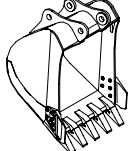
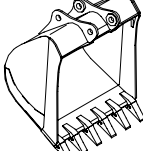
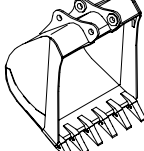


6. BUCKET SELECTION GUIDE

1) GENERAL BUCKET


				
0.9 m ³ SAE heaped bucket	1.14 m ³ SAE heaped bucket	※ 1.44 m ³ SAE heaped bucket	1.74 m ³ SAE heaped bucket	2.10 m ³ SAE heaped bucket

Capacity		Width		Weight	Recommendation				
					6.45 m (21' 2") boom				6.15 m (20' 2") boom
SAE heaped	CECE heaped	Without side cutter	With side cutter		2.2 m arm (7' 3")	2.5 m arm (8' 2")	3.2 m arm (10' 6")	4.05 m arm (13' 3")	2.2 m arm (7' 3")
0.9 m ³ (1.18 yd ³)	0.8 m ³ (1.05 yd ³)	950 mm (37.4")	1070 mm (42.1")	870 kg (1920 lb)					
1.14 m ³ (1.49 yd ³)	1.0 m ³ (1.31 yd ³)	1110 mm (43.7")	1230 mm (48.4")	980 kg (2160 lb)					
※ 1.44 m ³ (1.88 yd ³)	1.25 m ³ (1.63 yd ³)	1380 mm (54.3")	1500 mm (59.1")	1110 kg (2450 lb)					
1.74 m ³ (2.28 yd ³)	1.5 m ³ (1.96 yd ³)	1620 mm (63.8")	1740 mm (68.5")	1230 kg (2710 lb)					
2.10 m ³ (2.75 yd ³)	1.8 m ³ (2.35 yd ³)	1910 mm (75.2")	2030 mm (79.9")	1370 kg (3020 lb)					

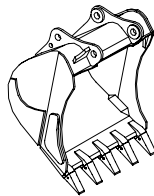
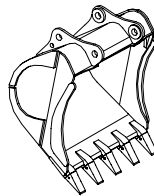
※ : Standard bucket

 Applicable for materials with density of 2000 kg/m³ (3370 lb/yd³) or less

 Applicable for materials with density of 1600 kg/m³ (2700 lb/yd³) or less

 Applicable for materials with density of 1100 kg/m³ (1850 lb/yd³) or less

2) ROCK AND HEAVY DUTY BUCKET

	
◆ 1.44 m ³ SAE heaped bucket	◎ 1.44 m ³ SAE ◎ 1.73 m ³ SAE heaped bucket

Capacity		Width		Weight	Recommendation				
					6.45 m (21' 2") boom				6.15 m (20' 2") boom
SAE heaped	CECE heaped	Without side cutter	With side cutter		2.2 m arm (7' 3")	2.5 m arm (8' 2")	3.2 m arm (10' 6")	4.05 m arm (13' 3")	2.2 m arm (7' 3")
◆ 1.44 m ³ (1.88 yd ³)	1.25 m ³ (1.63 yd ³)	1470 mm (57.9")	-	1380 kg (3040 lb)					
◎ 1.44 m ³ (1.88 yd ³)	1.25 m ³ (1.63 yd ³)	1470 mm (57.9")	-	1470 kg (3240 lb)					
◎ 1.73 m ³ (2.26 yd ³)	1.5 m ³ (1.96 yd ³)	1710 mm (67.3")	-	1610 kg (3550 lb)					

◆ : Heavy duty bucket

◎ : Rock bucket (esco type)

Applicable for materials with density of 2000 kg/m³ (3370 lb/yd³) or less

Applicable for materials with density of 1600 kg/m³ (2700 lb/yd³) or less