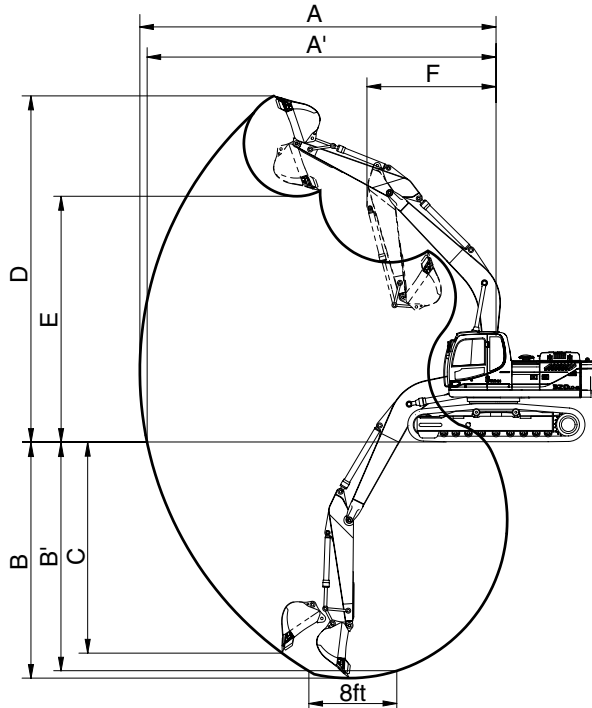


### 3. WORKING RANGE

#### 1) R320LC-9, R320NLC-9

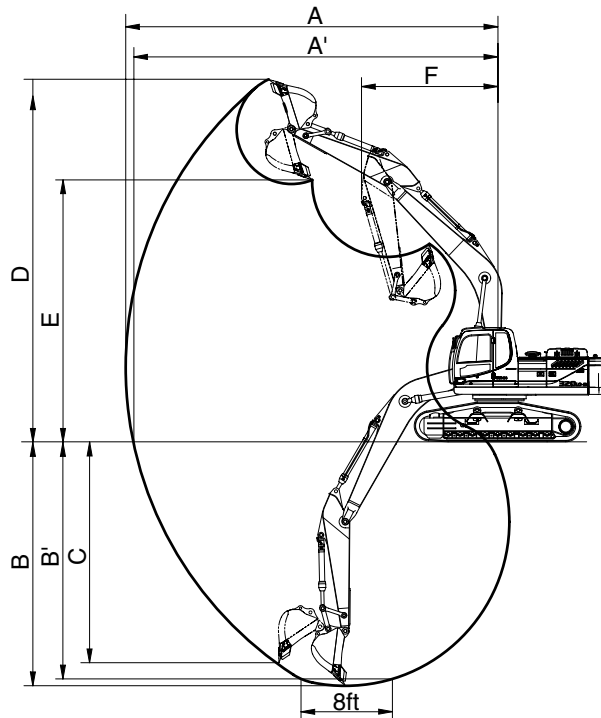


32092SP05

Description	6.45 m (21' 2") Arm					6.15 m (20' 2") Boom
		2.2 m (7' 3") Arm	2.5 m (8' 2") Arm	3.2 m (10' 6") Arm	4.05 m (13' 3") Arm	2.2 m (7' 3") Arm
Max digging reach	A	10330 mm (33'11")	10550 mm (34' 7")	11140 mm (36' 7")	11950 mm (39' 2")	10020 mm (32'10")
Max digging reach on ground	A'	10110 mm (33' 2")	10330 mm (33'11")	10940 mm (35'11")	11760 mm (38' 7")	9800 mm (32' 2")
Max digging depth	B	6370 mm (20'11")	6670 mm (21'11")	7370 mm (24' 2")	8220 mm (26'12")	6160 mm (20' 3")
Max digging depth (8ft level)	B'	6160 mm (20' 3")	6470 mm (21' 3")	7210 mm (23' 8")	8080 mm (26' 6")	5950 mm (19' 6")
Max vertical wall digging depth	C	5980 mm (19' 7")	5920 mm (19' 5")	6360 mm (20'10")	7260 mm (23'10")	5710 mm (18' 9")
Max digging height	D	10220 mm (33' 6")	10170 mm (33' 4")	10310 mm (33'10")	10710 mm (35' 2")	9940 mm (32' 7")
Max dumping height	E	7050 mm (23' 2")	7050 mm (23' 2")	7240 mm (23' 9")	7630 mm (25' 0")	6780 mm (22' 3")
Min swing radius	F	4700 mm (15' 5")	4500 mm (14' 9")	4470 mm (14' 8")	4470 mm (14' 8")	4520 mm (14'10")
Bucket digging force	SAE	189.3 [205.5] kN	189.3 [205.5] kN	189.3 [205.5] kN	189.3 [205.5] kN	189.3 [205.5] kN
		19300 [20950] kgf	19300 [20950] kgf	19300 [20950] kgf	19300 [20950] kgf	19300 [20950] kgf
		42550 [46200] lbf	42550 [46200] lbf	42550 [46200] lbf	42550 [46200] lbf	42550 [46200] lbf
	ISO	211.8 [230.0] kN	211.8 [230.0] kN	211.8 [230.0] kN	211.8 [230.0] kN	211.8 [230.0] kN
		21600 [23450] kgf	21600 [23450] kgf	21600 [23450] kgf	21600 [23450] kgf	21600 [23450] kgf
		47620 [51700] lbf	47620 [51700] lbf	47620 [51700] lbf	47620 [51700] lbf	47620 [51700] lbf
Arm crowd force	SAE	196.6 [213.4] kN	178.9 [194.2] kN	143.2 [155.5] kN	119.6 [129.9] kN	196.6 [213.4] kN
		20000 [21760] kgf	18200 [19810] kgf	14600 [15850] kgf	12200 [13240] kgf	20000 [21760] kgf
		44190 [47980] lbf	40220 [43670] lbf	32190 [34950] lbf	26890 [29190] lbf	44190 [47980] lbf
	ISO	202.8 [220.2] kN	185.1 [201.0] kN	147.1 [159.7] kN	122.7 [133.3] kN	202.8 [220.2] kN
		20700 [22450] kgf	18900 [20500] kgf	15000 [16290] kgf	12515 [13590] kgf	20700 [22450] kgf
		45600 [49510] lbf	41620 [45190] lbf	33070 [35900] lbf	27590 [29950] lbf	45600 [49510] lbf

[ ] : Power boost

## 2) R320LC-9 HIGH WALKER



32092SP06

Description	6.45 m (21' 2") Arm					6.15 m (20' 2") Boom	
	2.2 m (7' 3") Arm	2.5 m (8' 2") Arm	3.2 m (10' 6") Arm	4.05 m (13' 3") Arm	2.2 m (7' 3") Arm		
Max digging reach	A	10330 mm (33'11")	10550 mm (34' 7")	11140 mm (36' 7")	11950 mm (39' 2")	10020 mm (32'10")	
Max digging reach on ground	A'	10040 mm (32'11")	10270 mm (33' 8")	10880 mm (35' 8")	11710 mm (38' 5")	9730 mm (31'11")	
Max digging depth	B	6100 mm (20' 0")	6400 mm (20'12")	7100 mm (23' 4")	7950 mm (26' 1")	5880 mm (19' 3")	
Max digging depth (8ft level)	B'	5890 mm (19' 4")	6200 mm (20' 4")	6940 mm (22' 9")	7800 mm (25' 7")	5680 mm (18' 8")	
Max vertical wall digging depth	C	5700 mm (18' 8")	5650 mm (18' 6")	6080 mm (19'11")	6980 mm (22'11")	5440 mm (17'10")	
Max digging height	D	10500 mm (34' 5")	10450 mm (34' 3")	10590 mm (34' 9")	10990 mm (36' 1")	10220 mm (33' 6")	
Max dumping height	E	7330 mm (24' 1")	7330 mm (24' 1")	7520 mm (24' 8")	7910 mm (25'11")	7060 mm (23' 2")	
Min swing radius	F	4700 mm (15' 5")	4500 mm (14' 9")	4470 mm (14' 8")	4470 mm (14' 8")	4520 mm (14'10")	
Bucket digging force	SAE	[ ]	189.3 [205.5] kN	189.3 [205.5] kN	189.3 [205.5] kN	189.3 [205.5] kN	189.3 [205.5] kN
			19300 [20950] kgf	19300 [20950] kgf	19300 [20950] kgf	19300 [20950] kgf	19300 [20950] kgf
			42550 [46200] lbf	42550 [46200] lbf	42550 [46200] lbf	42550 [46200] lbf	42550 [46200] lbf
	ISO		211.8 [230.0] kN	211.8 [230.0] kN	211.8 [230.0] kN	211.8 [230.0] kN	211.8 [230.0] kN
			21600 [23450] kgf	21600 [23450] kgf	21600 [23450] kgf	21600 [23450] kgf	21600 [23450] kgf
Arm crowd force	SAE	[ ]	196.6 [213.4] kN	178.9 [194.2] kN	143.2 [155.5] kN	119.6 [129.9] kN	196.6 [213.4] kN
			20000 [21760] kgf	18200 [19810] kgf	14600 [15850] kgf	12200 [13240] kgf	20000 [21760] kgf
			44190 [47980] lbf	40220 [43670] lbf	32190 [34950] lbf	26890 [29190] lbf	44190 [47980] lbf
	ISO		202.8 [220.2] kN	185.1 [201.0] kN	147.1 [159.7] kN	122.7 [133.3] kN	202.8 [220.2] kN
			20700 [22450] kgf	18900 [20500] kgf	15000 [16290] kgf	12515 [13590] kgf	20700 [22450] kgf
		45600 [49510] lbf	41620 [45190] lbf	33070 [35900] lbf	27590 [29950] lbf	45600 [49510] lbf	

[ ] : Power boost