

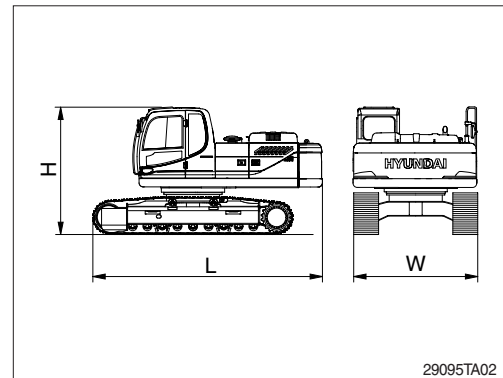
2. DIMENSION AND WEIGHT

1) R290LC-9

(1) Base machine

Mark	Description	Unit	Specification
L	Length	mm (ft-in)	5590 (18' 4")
H	Height	mm (ft-in)	3010 (9' 11")
W	Width	mm (ft-in)	3200 (10' 6")
Wt	Weight	kg (lb)	23850 (52580)

※ With 600 mm (24") triple grouser shoes and 5200 kg (11460 lb) counterweight.

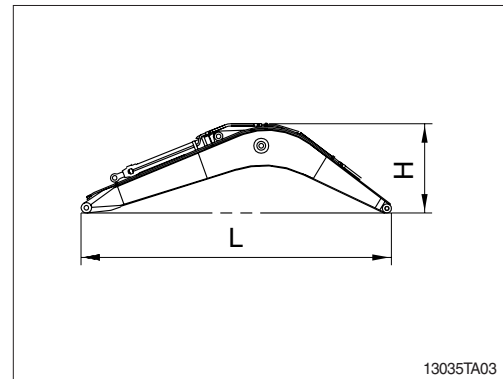


29095TA02

(2) Boom assembly

Mark	Description	Unit	Specification
L	Length	mm (ft-in)	6470 (21' 3")
H	Height	mm (ft-in)	1730 (5' 8")
W	Width	mm (ft-in)	790 (2' 7")
Wt	Weight	kg (lb)	2620 (5780)

※ 6.25 m (20' 6") boom with arm cylinder (included piping and pins).

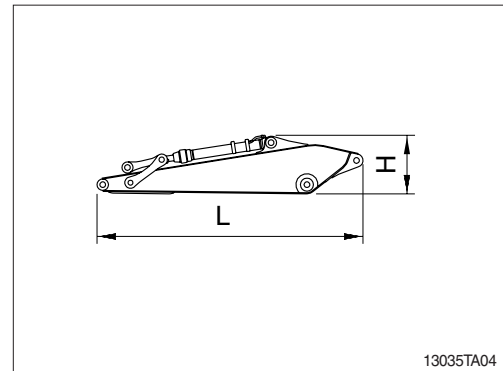


13035TA03

(3) Arm assembly

Mark	Description	Unit	Specification
L	Length	mm (ft-in)	4190 (13' 9")
H	Height	mm (ft-in)	950 (3' 1")
W	Width	mm (ft-in)	360 (1' 2")
Wt	Weight	kg (lb)	1450 (3200)

※ 3.05 m (10' 0") arm with bucket cylinder (included linkage and pins).

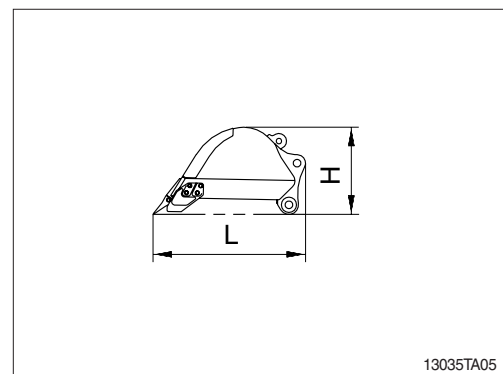


13035TA04

(4) Bucket assembly

Mark	Description	Unit	Specification
L	Length	mm (ft-in)	1780 (5' 10")
H	Height	mm (ft-in)	1070 (3' 6")
W	Width	mm (ft-in)	1410 (4' 8")
Wt	Weight	kg (lb)	1010 (2230)

※ 1.27 m³ (1.66 yd³) SAE heaped bucket (included tooth and side cutters).

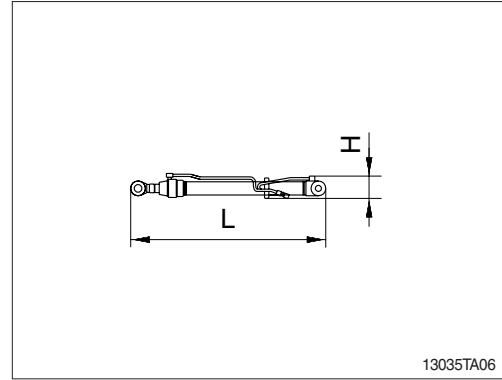


13035TA05

(5) Boom cylinder

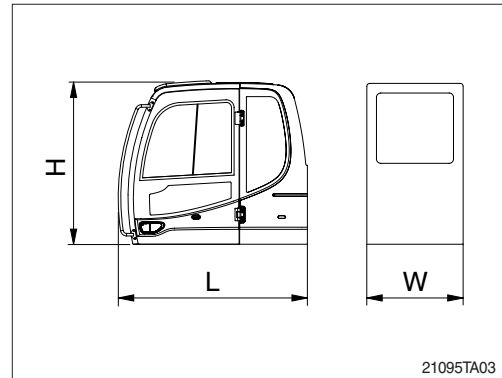
Mark	Description	Unit	Specification
L	Length	mm (ft-in)	2240 (7' 4")
H	Height	mm (ft-in)	260 (0' 10")
W	Width	mm (ft-in)	390 (1' 3")
Wt	Weight	kg (lb)	580 (1280)

※ Included piping.



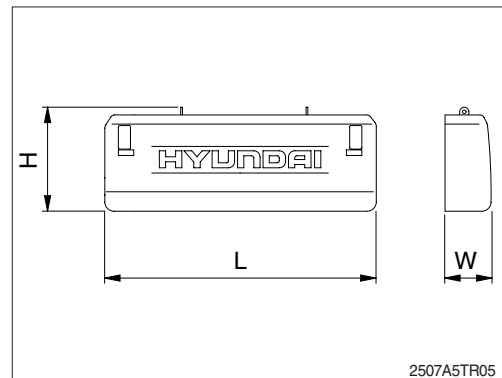
(6) Cab assembly

Mark	Description	Unit	Specification
L	Length	mm (ft-in)	1962 (6' 4")
H	Height	mm (ft-in)	1686 (5' 6")
W	Width	mm (ft-in)	1000 (3' 3")
Wt	Weight	kg (lb)	490 (1080)



(7) Counterweight

Mark	Description	Unit	Specification
L	Length	mm (ft-in)	2980 (9' 9")
H	Height	mm (ft-in)	1050 (3' 5")
W	Width	mm (ft-in)	590 (1' 11")
Wt	Weight	kg (lb)	5200 (11460)

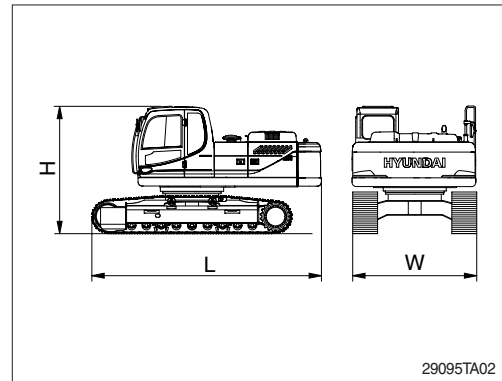


2) R290NLC-9

(1) Base machine

Mark	Description	Unit	Specification
L	Length	mm (ft-in)	5590 (18' 4")
H	Height	mm (ft-in)	3010 (9' 11")
W	Width	mm (ft-in)	2990 (9' 10")
Wt	Weight	kg (lb)	23650 (52140)

※ With 600 mm (24") triple grouser shoes and 5200 kg (11460 lb) counterweight.

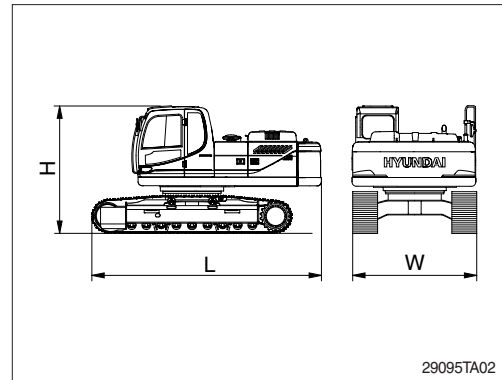


3) R290LC-9 LONG REACH

(1) Base machine

Mark	Description	Unit	Specification
L	Length	mm (ft-in)	5590 (18' 4")
H	Height	mm (ft-in)	3010 (9' 11")
W	Width	mm (ft-in)	3400 (11' 2")
Wt	Weight	kg (lb)	27340 (60350)

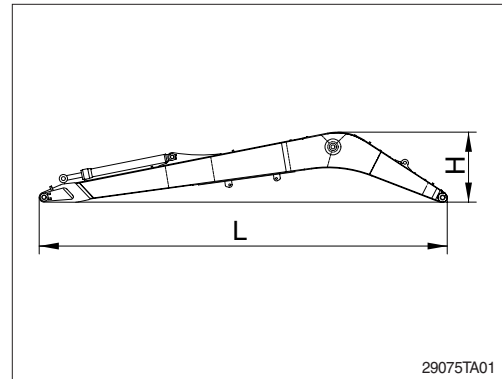
※ With 800 mm (32") triple grouser shoes and 6200 kg (13670 lb) counterweight.



(2) Boom assembly

Mark	Description	Unit	Specification
L	Length	mm (ft-in)	10410 (34' 2")
H	Height	mm (ft-in)	1675 (5' 6")
W	Width	mm (ft-in)	900 (3' 1")
Wt	Weight	kg (lb)	3320 (7320)

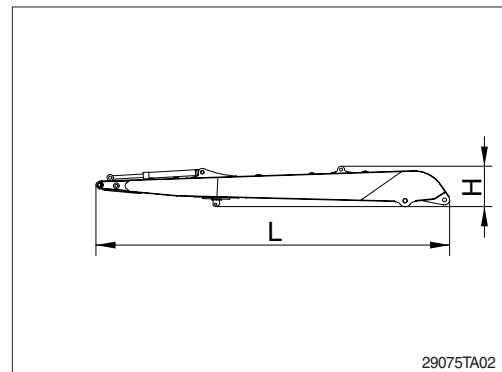
※ 10.2 m (33' 6") boom with arm cylinder (included piping and pins).



(3) Arm assembly

Mark	Description	Unit	Specification
L	Length	mm (ft-in)	9010 (29' 7")
H	Height	mm (ft-in)	870 (2' 10")
W	Width	mm (ft-in)	480 (1' 7")
Wt	Weight	kg (lb)	1590 (3510)

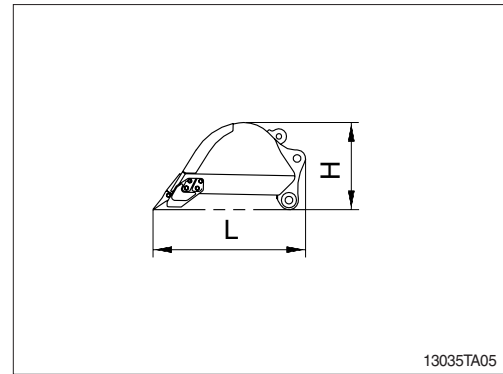
※ 7.85 m (25' 9") arm with bucket cylinder (included linkage and pins).



(4) Bucket assembly

Mark	Description	Unit	Specification
L	Length	mm (ft-in)	1400 (4' 7")
H	Height	mm (ft-in)	820 (2' 8")
W	Width	mm (ft-in)	1035 (3' 5")
Wt	Weight	kg (lb)	460 (1010)

※ 0.52 m³ (0.68 yd³) SAE heaped bucket (included tooth and side cutters).

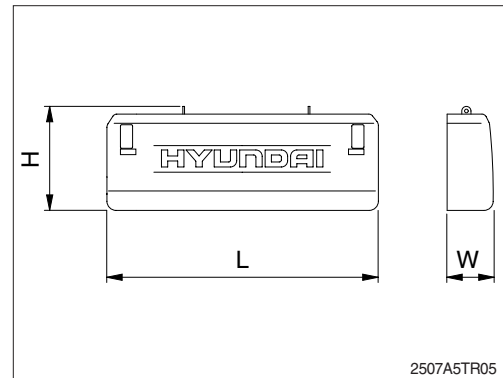


13035TA05

(5) Counterweight

Mark	Description	Unit	Specification
L	Length	mm (ft-in)	2980 (9' 9")
H	Height	mm (ft-in)	1050 (3' 5")
W	Width	mm (ft-in)	590 (1' 11")
Wt	Weight	kg (lb)	6200 (13670)

※ Included piping.



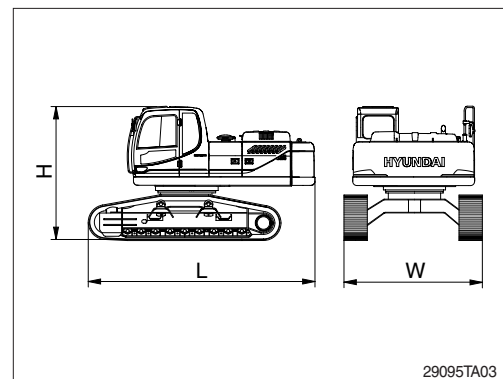
2507A5TR05

4) R290LC-9 HIGH WALKER

(1) Base machine

Mark	Description	Unit	Specification
L	Length	mm (ft-in)	5595 (18' 4")
H	Height	mm (ft-in)	3380 (11' 1")
W	Width	mm (ft-in)	3470 (11' 5")
Wt	Weight	kg (lb)	26690 (58840)

※ With 600 mm (24") triple grouser shoes and 5200 kg (11460 lb) counterweight.



29095TA03