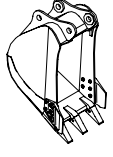
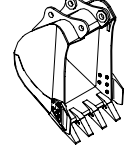
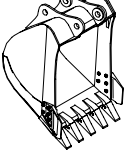
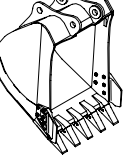
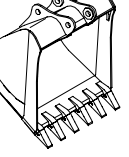
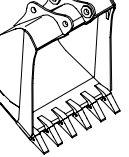


## 6. BUCKET SELECTION GUIDE

### 1) GENERAL BUCKET

					
0.79 m <sup>3</sup> SAE heaped bucket	1.03 m <sup>3</sup> SAE heaped bucket	※1.27 m <sup>3</sup> SAE heaped bucket	1.50 m <sup>3</sup> SAE heaped bucket	1.73 m <sup>3</sup> SAE heaped bucket	1.85 m <sup>3</sup> SAE heaped bucket

Capacity		Width		Weight	Recommendation			
					6.25 m (20' 6") boom			
SAE heaped	CECE heaped	Without side cutter	With side cutter		2.1 m arm (6' 11")	2.5 m arm (8' 2")	3.05 m arm (10' 0")	3.75 m arm (12' 4")
0.79 m <sup>3</sup> (1.03 yd <sup>3</sup> )	0.70 m <sup>3</sup> (0.92 yd <sup>3</sup> )	890 mm (35.0")	1010 mm (39.8")	790 kg (1740 lb)				
1.03 m <sup>3</sup> (1.35 yd <sup>3</sup> )	0.90 m <sup>3</sup> (1.18 yd <sup>3</sup> )	1090 mm (42.9")	1210 mm (47.6")	890 kg (1960 lb)				
※1.27 m <sup>3</sup> (1.66 yd <sup>3</sup> )	1.10 m <sup>3</sup> (1.44 yd <sup>3</sup> )	1290 mm (50.8")	1410 mm (55.5")	1010 kg (2230 lb)				
1.50 m <sup>3</sup> (1.96 yd <sup>3</sup> )	1.30 m <sup>3</sup> (1.70 yd <sup>3</sup> )	1490 mm (58.7")	1610 mm (63.4")	1080 kg (2380 lb)				
1.73 m <sup>3</sup> (2.26 yd <sup>3</sup> )	1.50 m <sup>3</sup> (1.96 yd <sup>3</sup> )	1700 mm (66.9")	1820 mm (71.7")	1170 kg (2580 lb)				
1.85 m <sup>3</sup> (2.42 yd <sup>3</sup> )	1.60 m <sup>3</sup> (2.09 yd <sup>3</sup> )	1800 mm (70.9")	1920 mm (75.6")	1230 kg (2710 lb)				

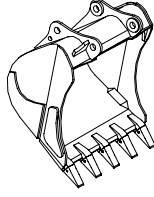
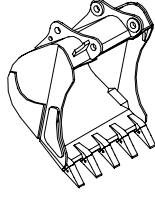
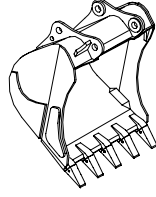
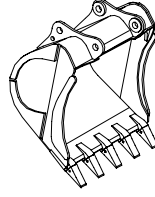
※ : Standard bucket

 Applicable for materials with density of 2000 kgf/m<sup>3</sup> (3370 lbf/yd<sup>3</sup>) or less

 Applicable for materials with density of 1600 kgf/m<sup>3</sup> (2700 lbf/yd<sup>3</sup>) or less

 Applicable for materials with density of 1100 kgf/m<sup>3</sup> (1850 lbf/yd<sup>3</sup>) or less

## 2) ROCK AND HEAVY DUTY BUCKET

			
<ul style="list-style-type: none"> <li>◆ 1.07 m<sup>3</sup> SAE</li> <li>◆ 1.15 m<sup>3</sup> SAE</li> </ul> heaped bucket	<ul style="list-style-type: none"> <li>◆ 1.27 m<sup>3</sup> SAE</li> </ul> heaped bucket	<ul style="list-style-type: none"> <li>◆ 1.46 m<sup>3</sup> SAE</li> </ul> heaped bucket	<ul style="list-style-type: none"> <li>⊙ 1.16 m<sup>3</sup> SAE</li> <li>⊙ 1.49 m<sup>3</sup> SAE</li> </ul> heaped bucket

Capacity		Width		Weight	Recommendation			
SAE heaped	CECE heaped	Without side cutter	With side cutter		6.25 m (20' 6") boom			
					2.1 m arm (6' 11")	2.5 m arm (8' 2")	3.05 m arm (10' 0")	3.75 m arm (12' 4")
◆ 1.07 m <sup>3</sup> (1.40 yd <sup>3</sup> )	0.95 m <sup>3</sup> (1.24 yd <sup>3</sup> )	1150 mm (45.3")	-	1120 kg (2470 lb)				
◆ 1.15 m <sup>3</sup> (1.50 yd <sup>3</sup> )	1.00 m <sup>3</sup> (1.31 yd <sup>3</sup> )	1210 mm (47.6")	-	1160 kg (2560 lb)				
◆ 1.27 m <sup>3</sup> (1.66 yd <sup>3</sup> )	1.10 m <sup>3</sup> (1.44 yd <sup>3</sup> )	1310 mm (51.6")	-	1240 kg (2730 lb)				
◆ 1.46 m <sup>3</sup> (1.91 yd <sup>3</sup> )	1.28 m <sup>3</sup> (1.67 yd <sup>3</sup> )	1460 mm (57.5")	-	1320 kg (2910 lb)				
⊙ 1.16 m <sup>3</sup> (1.52 yd <sup>3</sup> )	1.00 m <sup>3</sup> (1.31 yd <sup>3</sup> )	1340 mm (52.8")	-	1280 kg (2820 lb)				
⊙ 1.49 m <sup>3</sup> (1.95 yd <sup>3</sup> )	1.28 m <sup>3</sup> (1.67 yd <sup>3</sup> )	1620 mm (63.8")	-	1440 kg (3170 lb)				

◆ : Heavy duty bucket

⊙ : Rock bucket

Applicable for materials with density of 2000 kgf/m<sup>3</sup> (3370 lbf/yd<sup>3</sup>) or less

Applicable for materials with density of 1600 kgf/m<sup>3</sup> (2700 lbf/yd<sup>3</sup>) or less

Applicable for materials with density of 1100 kgf/m<sup>3</sup> (1850 lbf/yd<sup>3</sup>) or less