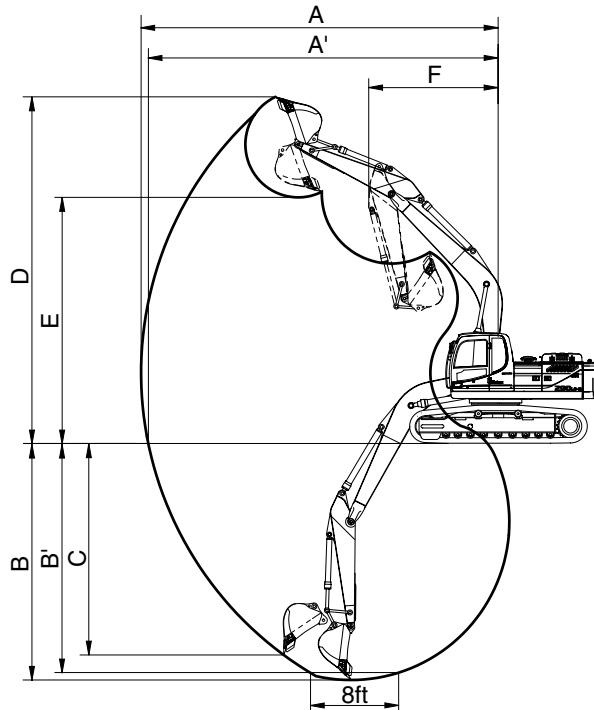


### 3. WORKING RANGE

#### 1) R290LC-9, R290NLC-9

· 6.25 m (20' 6") BOOM



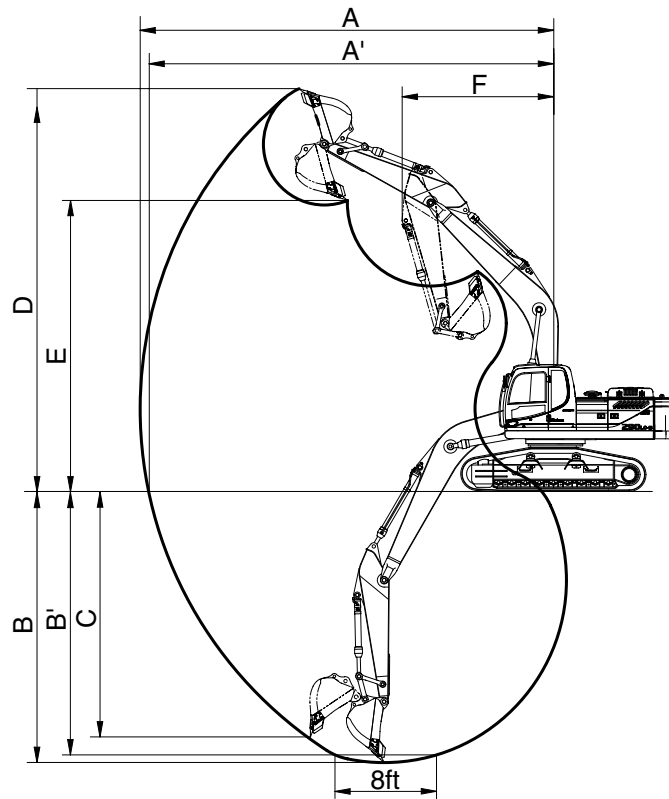
29092SP05

Description		2.10m (6' 11") Arm	2.50 m (8' 2") Arm	3.05 m (10' 0") Arm	3.75 m (12' 4") Arm
Max digging reach	A	10020 mm (32' 10")	10280 mm (33' 7")	10820 mm (35' 6")	11400 mm (37' 5")
Max digging reach on ground	A'	9820 mm (32' 3")	10080 mm (33' 1")	10620 mm (34' 10")	11220 mm (36' 10")
Max digging depth	B	6440 mm (21' 1")	6840 mm (22' 5")	7500 mm (24' 7")	8090 mm (26' 7")
Max digging depth (8 ft level)	B'	6240 mm (20' 6")	6630 mm (21' 9")	7300 mm (23' 11")	7920 mm (25' 12")
Max vertical wall digging depth	C	6000 mm (19' 8")	5850 mm (19' 2")	6410 mm (21' 0")	7080 mm (23' 3")
Max digging height	D	10070 mm (33' 0")	10110 mm (33' 2")	10160 mm (33' 4")	10360 mm (33' 12")
Max dumping height	E	6940 mm (22' 9")	7030 mm (23' 1")	7110 mm (23' 4")	7310 mm (23' 12")
Min swing radius	F	4380 mm (14' 4")	4260 mm (13' 12")	4230 mm (13' 11")	4140 mm (13' 7")
Bucket digging force	SAE	166.7 [181] kN	166.7 [181] kN	166.7 [181] kN	166.7 [181] kN
		17000 [18460] kgf	17000 [18460] kgf	17000 [18460] kgf	17000 [18460] kgf
		37480 [40690] lbf	37480 [40690] lbf	37480 [40690] lbf	37480 [40690] lbf
	ISO	189.3 [205.5] kN	189.3 [205.5] kN	189.3 [205.5] kN	189.3 [205.5] kN
		19300 [20950] kgf	19300 [20950] kgf	19300 [20950] kgf	19300 [20950] kgf
		42550 [46200] lbf	42550 [46200] lbf	42550 [46200] lbf	42550 [46200] lbf
Arm digging force	SAE	180.4 [195.9] kN	156.9 [170.4] kN	131.4 [142.7] kN	114.7 [124.6] kN
		18400 [19980] kgf	16000 [17370] kgf	13400 [14550] kgf	11700 [12700] kgf
		40570 [44050] lbf	35270 [38290] lbf	29540 [32070] lbf	25790 [28000] lbf
	ISO	190.3 [206.6] kN	163.8 [177.8] kN	136.3 [148] kN	119.6 [129.9] kN
		19400 [21060] kgf	16700 [18130] kgf	13900 [15090] kgf	12200 [13250] kgf
		42770 [46440] lbf	36820 [39980] lbf	30640 [33270] lbf	26900 [29210] lbf

[ ] : Power boost

### 3) R290LC-9 HIGH WALKER

· 6.25 m (20' 6") BOOM



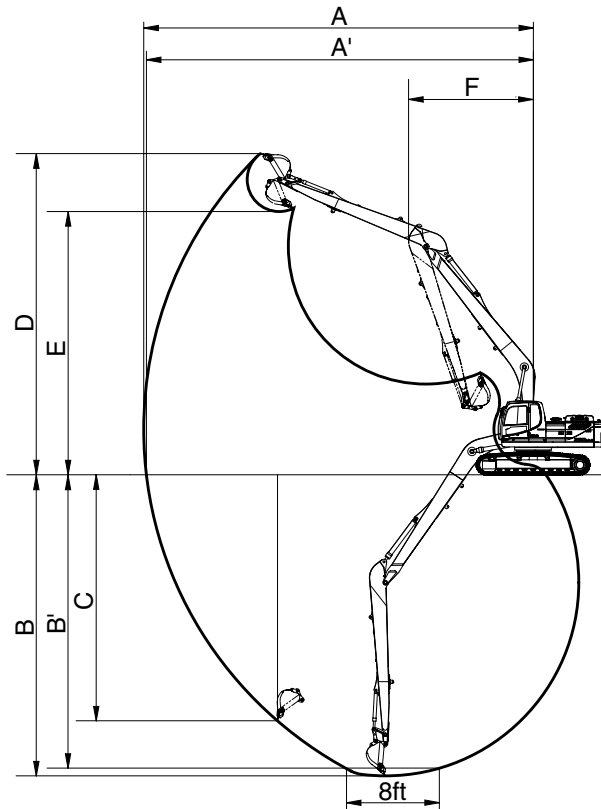
29092SP07

Description		2.10m (6' 11") Arm	2.50 m (8' 2") Arm	3.05 m (10' 0") Arm	3.75 m (12' 4") Arm
Max digging reach	A	10020 mm (32' 10")	10280 mm (33' 7")	10790 mm (35' 5")	11400 mm (37' 5")
Max digging reach on ground	A'	9750 mm (32' 0")	10020 mm (32' 10")	10530 mm (34' 7")	11160 mm (36' 7")
Max digging depth	B	6140 mm (20' 2")	6540 mm (21' 5")	7090 mm (23' 3")	7790 mm (25' 7")
Max digging depth (8 ft level)	B'	5930 mm (19' 5")	6330 mm (20' 9")	6910 mm (22' 8")	7630 mm (25' 0")
Max vertical wall digging depth	C	5700 mm (18' 8")	5560 mm (18' 3")	6090 mm (20' 0")	6790 mm (22' 3")
Max digging height	D	10370 mm (34' 0")	10220 mm (33' 6")	10440 mm (34' 3")	10660 mm (35' 0")
Max dumping height	E	7240 mm (23' 9")	7170 mm (23' 6")	7400 mm (24' 3")	7610 mm (25' 0")
Min swing radius	F	4380 mm (14' 4")	4260 mm (14' 0")	4230 mm (13' 11")	4140 mm (13' 7")
Bucket digging force	SAE	166.7 [181] kN	166.7 [181] kN	166.7 [181] kN	166.7 [181] kN
		17000 [18460] kgf	17000 [18460] kgf	17000 [18460] kgf	17000 [18460] kgf
		37480 [40690] lbf	37480 [40690] lbf	37480 [40690] lbf	37480 [40690] lbf
	ISO	189.3 [205.5] kN	189.3 [205.5] kN	189.3 [205.5] kN	189.3 [205.5] kN
		19300 [20950] kgf	19300 [20950] kgf	19300 [20950] kgf	19300 [20950] kgf
		42550 [46200] lbf	42550 [46200] lbf	42550 [46200] lbf	42550 [46200] lbf
Arm digging force	SAE	180.4 [195.9] kN	156.9 [170.4] kN	131.4 [142.7] kN	114.7 [124.6] kN
		18400 [19980] kgf	16000 [17370] kgf	13400 [14550] kgf	11700 [12700] kgf
		40570 [44050] lbf	35270 [38290] lbf	29540 [32070] lbf	25790 [28000] lbf
	ISO	190.3 [206.6] kN	163.8 [177.8] kN	136.3 [148] kN	119.6 [129.9] kN
		19400 [21060] kgf	16700 [18130] kgf	13900 [15090] kgf	12200 [13250] kgf
		42770 [46440] lbf	36820 [39980] lbf	30640 [33270] lbf	26900 [29210] lbf

[ ] : Power boost

## 2) R290LC-9 LONG REACH

· 10.2 m (33' 6") BOOM



29092SP06

Description		7.85 m (25' 9") Arm
Max digging reach	A	18510 (60' 9")
Max digging reach on ground	A'	18400 (60' 4")
Max digging depth	B	14820 (48' 7")
Max digging depth (8 ft level)	B'	14690 (48' 2")
Max vertical wall digging depth	C	12020 (39' 5")
Max digging height	D	14500 (47' 7")
Max dumping height	E	12190 (39' 12")
Min swing radius	F	6250 (20' 6")
Bucket digging force	SAE	70 kN
		7100 kgf
		15650 lbf
	ISO	80 kN
		8200 kgf
		18080 lbf
Arm crowd force	SAE	47.1 kN
		4800 kgf
		10580 lbf
	ISO	48.1 kN
		4900 kgf
		10800 lbf