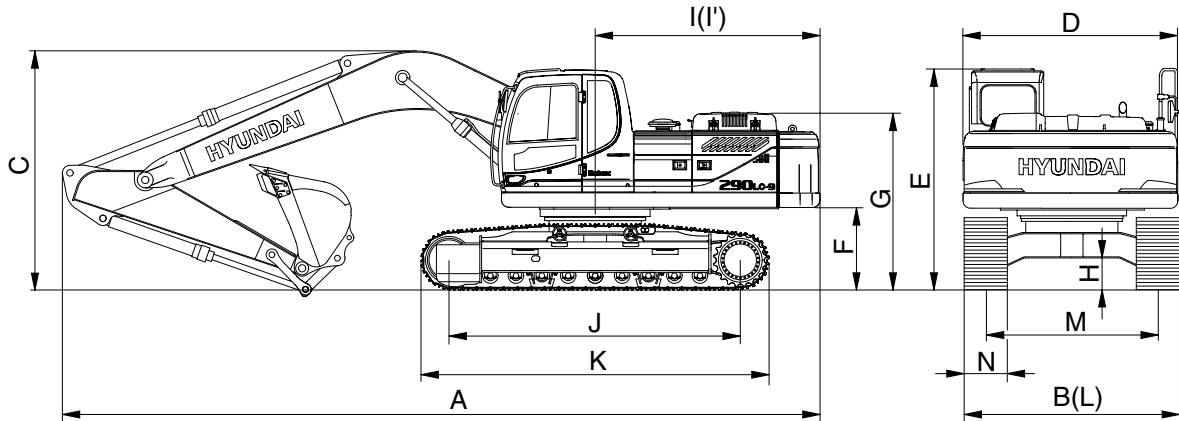


2. SPECIFICATIONS

1) R290LC-9

- 6.25 m (20' 6") BOOM and 3.05 m (10' 0") ARM

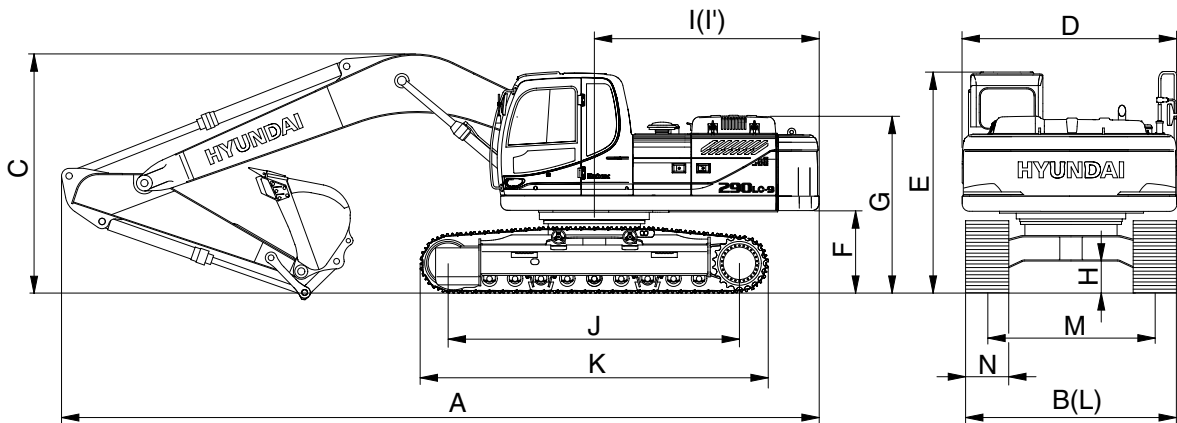


29092SP02

Description		Unit	Specification
Operating weight		kg (lb)	29300 (64600)
Bucket capacity (SAE heaped), standard		m ³ (yd ³)	1.27 (1.66)
Overall length	A	mm (ft-in)	10560 (34' 8")
Overall width, with 600mm shoe	B		3200 (10' 6")
Overall height	C		3290 (10' 10")
Superstructure width	D		2980 (9' 9")
Overall height of cab	E		3010 (9' 11")
Ground clearance of counterweight	F		1190 (3' 11")
Engine cover height	G		3190 (10' 6")
Minimum ground clearance	H		500 (1' 8")
Rear-end distance	I		3120 (10' 3")
Rear-end swing radius	I'		3200 (10' 6")
Distance between tumblers	J		4030 (13' 3")
Undercarriage length	K		4940 (16' 2")
Undercarriage width	L		3200 (10' 6")
Track gauge	M		2600 (8' 6")
Track shoe width, standard	N		600 (24")
Travel speed (low/high)			km/hr (mph)
Swing speed		rpm	10.2
Gradeability		Degree (%)	35 (70)
Ground pressure (600 mm shoe)		kgf/cm ² (psi)	0.56 (7.97)
Max traction force		kg (lb)	27300 (60200)

2) R290NLC-9

· 6.25 m (20' 6") BOOM and 3.05 m (10' 0") ARM

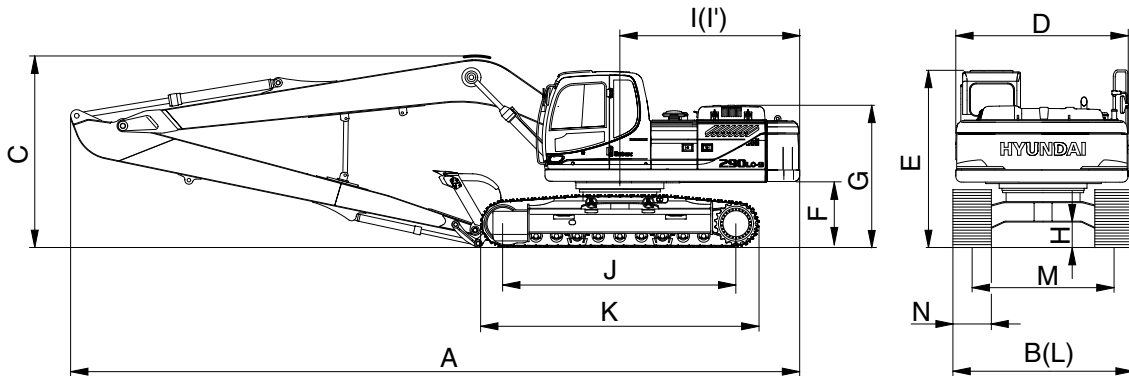


29092SP08

Description		Unit	Specification
Operating weight		kg (lb)	29100 (64150)
Bucket capacity (SAE heaped), standard		m ³ (yd ³)	1.27 (1.66)
Overall length	A	mm (ft-in)	10560 (34' 8")
Overall width, with 600mm shoe	B		2990 (9' 10")
Overall height	C		3290 (10' 10")
Superstructure width	D		2980 (9' 9")
Overall height of cab	E		3010 (9' 11")
Ground clearance of counterweight	F		1190 (3' 11")
Engine cover height	G		3190 (10' 6")
Minimum ground clearance	H		500 (1' 8")
Rear-end distance	I		3120 (10' 3")
Rear-end swing radius	I'		3200 (10' 6")
Distance between tumblers	J		4030 (13' 3")
Undercarriage length	K		4940 (16' 2")
Undercarriage width	L		2990 (9' 10")
Track gauge	M		2390 (7' 10")
Track shoe width, standard	N		600 (24")
Travel speed (low/high)			km/hr (mph)
Swing speed		rpm	10.2
Gradeability		Degree (%)	35 (70)
Ground pressure (600 mm shoe)		kgf/cm ² (psi)	0.55 (7.82)
Max traction force		kg (lb)	27300 (60200)

3) R290LC-9 LONG REACH

- 10.2 m (33' 6") BOOM and 7.85 m (25' 9") ARM

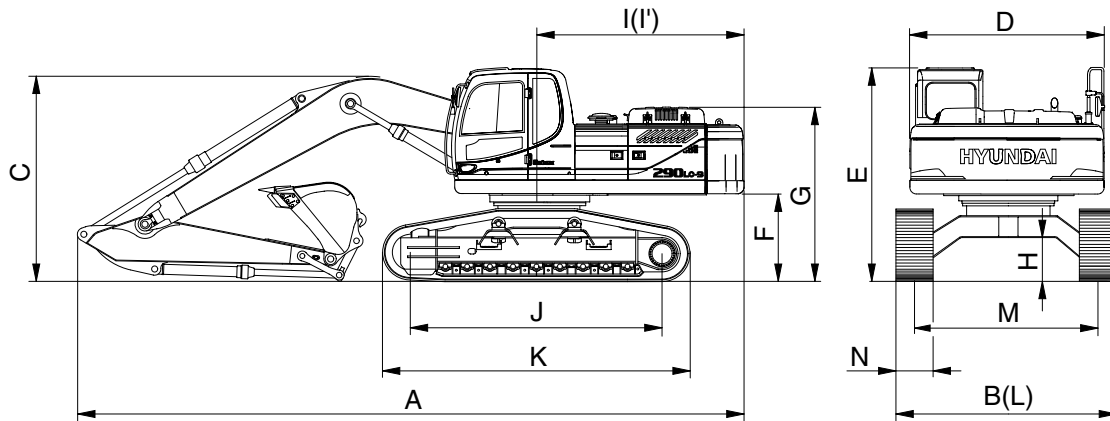


29092SP03

Description		Unit	Specification
Operating weight		kg (lb)	32690 (72630)
Bucket capacity (SAE heaped), standard		m ³ (yd ³)	0.52 (0.68)
Overall length	A	mm (ft-in)	14550 (47' 9")
Overall width, with 800 mm shoe	B		3400 (11' 2")
Overall height	C		3550 (11' 8")
Superstructure width	D		2980 (9' 9")
Overall height of cab	E		3010 (9' 11")
Ground clearance of counterweight	F		1190 (3' 11")
Engine cover height	G		3190 (10' 6")
Minimum ground clearance	H		500 (1' 8")
Rear-end distance	I		3120 (10' 3")
Rear-end swing radius	I'		3200 (10' 6")
Distance between tumbler	J		4030 (13' 3")
Undercarriage length	K		4940 (16' 2")
Undercarriage width	L		3400 (11' 2")
Track gauge	M		2600 (8' 6")
Track shoe width, standard	N		800 (31' 5")
Travel speed (low/high)			km/hr (mph)
Swing speed		rpm	10.2
Gradeability		Degree (%)	35 (70)
Ground pressure (800 mm shoe)		kgf/cm ² (psi)	0.47 (6.68)
Max traction force		kg (lb)	27300 (60200)

4) R290LC-9 HIGH WALKER

· 6.25 m (20' 6") BOOM and 3.05 m (10' 0") ARM



29092SP04

Description		Unit	Specification
Operating weight		kg (lb)	32140 (70860)
Bucket capacity (SAE heaped), standard		m ³ (yd ³)	1.27 (1.66)
Overall length	A	mm (ft-in)	10430 (34' 3")
Overall width, with 600 mm shoe	B		3470 (11' 5")
Overall height	C		3350 (11' 0")
Superstructure width	D		2980 (9' 9")
Overall height of cab	E		3380 (11' 1")
Ground clearance of counterweight	F		1500 (4' 11")
Engine cover height	G		3500 (11' 6")
Minimum ground clearance	H		765 (2' 6")
Rear-end distance	I		3120 (10' 3")
Rear-end swing radius	I'		3200 (10' 6")
Distance between tumbler	J		4030 (13' 3")
Undercarriage length	K		4950 (16' 3")
Undercarriage width	L		3470 (11' 5")
Track gauge	M		2870 (9' 5")
Track shoe width, standard	N		600 (23' 6")
Travel speed (low/high)		km/hr (mph)	3.1/5.2 (1.9/3.2)
Swing speed		rpm	10.2
Gradeability		Degree (%)	35 (70)
Ground pressure (600 mm shoe)		kgf/cm ² (psi)	0.62 (8.82)
Max traction force		kg (lb)	27300 (60200)