

## FOREWORD

This manual contains a number of instructions and safety recommendations regarding driving, handling, lubrication, maintenance, inspection and adjustment of the excavator.

The manual is to promote safety maintenance and enhance machine performance.

Keep this manual handy and have all personnel read it periodically.

If you sell the machine, be sure to give this manual to the new owners.

This machine complies with EC directive "89/392/EEC".

### 1. Read and understand this manual before operating the machine.

This operator's manual may contain attachments and optional equipment that are not available in your area. Please consult your local Hyundai distributor for those items you require.

Improper operation and maintenance of this machine can be hazardous and could result in serious injury or death.

Some actions involved in operation and maintenance of the machine can cause a serious accident, if they are not done in a manner described in this manual.

The procedures and precautions given in this manual apply only to intended uses of the machine.

If you use your machine for any unintended uses that are not specifically prohibited, you must be sure that it is safe for you and others. In no event should you or others engage in prohibited uses of actions as described in this manual.

### 2. Inspect the jobsite and follow the safety recommendations in the safety hints section before operating the machine.

### 3. Use genuine Hyundai spare parts for the replacement of parts.

We expressly point out that Hyundai will not accept any responsibility for defects resulting from non-genuine parts or non workmanlike repair.

In such cases Hyundai cannot assume liability for any damage.

Continuing improvements in the design of this machine can lead to changes in detail which may not be reflected in this manual. Consult Hyundai or your Hyundai distributor for the latest available information for your machine or for questions regarding information in this manual.

## BEFORE SERVICING THIS MACHINE

It is the responsibility of the owner and all service and maintenance personnel to avoid accidents and serious injury by keeping this machine properly maintained.

It also is the responsibility of the owner and all service and maintenance personnel to avoid accidents and serious injury while servicing the machine.

No one should service or attempt to repair this machine without proper training and supervision.

All service and maintenance personnel should be thoroughly familiar with the procedures and precautions contained in this manual.

All personnel also must be aware of any federal, state, provincial or local laws or regulations covering the use and service of construction equipment.

The procedures in this manual do not supersede any requirements imposed by federal, state, provincial or local laws.

Hyundai can not anticipate every possible circumstance or environment in which this machine may be used and serviced.

All personnel must remain alert to potential hazards.

Work within your level of training and skill.

Ask your supervisor if you are uncertain about a particular task. Do not try to do too much too fast.

Use your common sense.

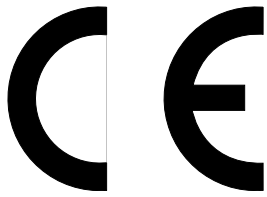
## EC REGULATION APPROVED

- Noise level (EN474-1 ANNEX4.10 and 2000/14/EC) are as followings.

LWA : 94 dB (EU only)

LPA : 82 dB

- The value of vibrations transmitted by the operator's seat are lower than standard value of (EN474-1 ANNEX 4.3.1.3)



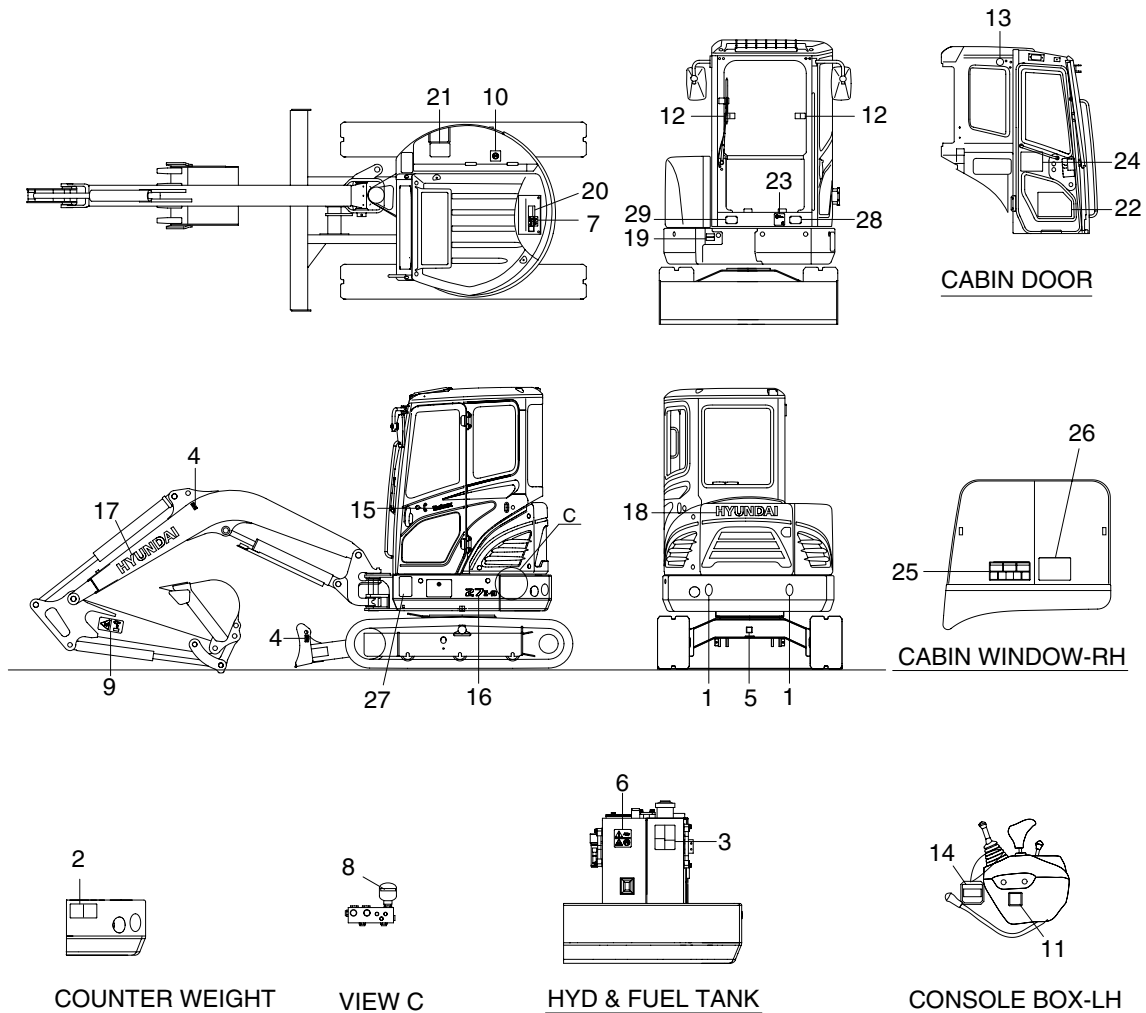
**TABLE TO ENTER SERIAL NO. AND DISTRIBUTOR**

Machine Serial No.	
Engine Serial No.	
Manufacturing year	
Manufacturer Address	Hyundai Heavy Industries co., Ltd. 1, Jeonha-Dong, Dong-Ku, Ulsan 682-792, Korea
Distributor for U.S.A Address	Hyundai Heavy Industries U.S.A, Inc 955 Estes Avenue EIK Grove village IL, 60001 U.S.A
Distributor for Europe Address	Hyundai Heavy Industries Europe N. V. Vossendal 11 2240 Geel Belgium
Dealer Address	

# SAFETY LABELS

## 1. LOCATION

Always keep these labels clean. If they are lost or damaged, attach them again or replace them with a new label.



- |                         |                               |                        |
|-------------------------|-------------------------------|------------------------|
| 1 Reflecting            | 11 Console tilting            | 21 Fueling             |
| 2 Keep clear-rear       | 12 Safety - front window      | 22 Service instruction |
| 3 Caution - engine room | 13 Alternate exit             | 23 Noise level         |
| 4 Lifting point         | 14 Under repair               | 24 Lifting chart       |
| 5 Tie                   | 15 Robex logo - LH            | 25 Cabin RH window     |
| 6 Hydraulic oil lub     | 16 Model name - RH            | 26 Control ideogram    |
| 7 Battery accident      | 17 Hyundai logo - boom        | 27 Control pattern     |
| 8 Accumulator           | 18 Hyundai logo - engine hood | 28 Name plate          |
| 9 Keep clear - boom/arm | 19 Grease                     | 29 ROPS plate          |
| 10 No step              | 20 ECU connector              |                        |

R27Z90FW01

## 2. DESCRIPTION

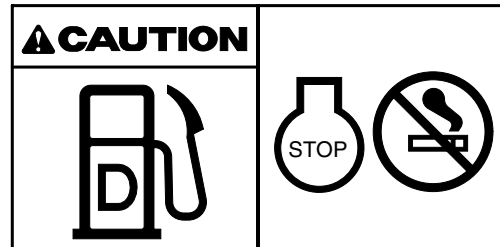
There are several specific warning labels on this machine please become familiarized with all warning labels.

Replace any safety label that is damaged, or missing.

### 1) FUELING (item 21)

This warning label is positioned on the right side of fuel filler neck.

- ⚠ **Stop the engine when refueling. All lights or flames shall be kept at a safe distance while refueling.**



R35Z70FW04

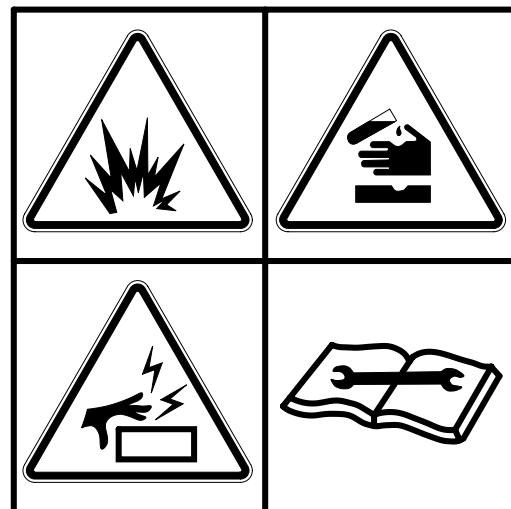
### 2) BATTERY ACCIDENT (item 7)

This warning label is positioned on the battery cover.

- ⚠ **Electrolyte containing sulfuric acid cause severe burns. Avoid being in contact with skin, eyes or clothes. In the event of accident flush with sufficient water, call a physician immediately.**

- ※ **Maintain the electrolyte at the recommended level. Add distilled water to the battery only when starting up, never when shutting down.**

With electrolyte at proper level, less space may cause the gases to be accumulated in the battery.



36070FW05

- ⚠ **Extinguish all smoking materials and open flames before checking the battery.**
- ⚠ **Do not use matches, lighters or torches as a light source near the battery for the probable presence of explosive gas.**
- ⚠ **Do not allow unauthorized personnel to change the battery or to use booster cables.**
- ⚠ **For safety from electric shock, do not battery terminals with a wet hand.**

3) **KEEP CLEAR-BOOM/ARM** (item 9)

This warning label is positioned on both side of the boom.

- ⚠ **Serious injury or death can result from falling of the attachment.**
- ⚠ **To prevent serious injury or death, keep clear the underneath of attachment.**

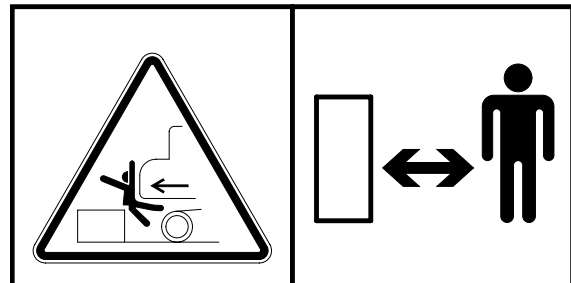


R3570FW31

4) **KEEP CLEAR-REAR** (item 2)

This warning label is positioned on the rear of engine hood.

- ⚠ **To prevent serious personal injury or death keep clear of machine swing radius.**
- ⚠ **Do not deface or remove this label from the machine.**

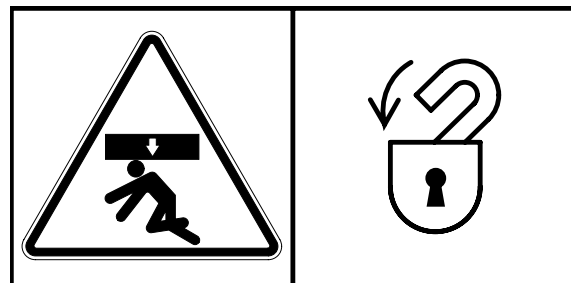


R35Z70FW09

5) **SAFETY FRONT WINDOW** (item 12)

This warning label is positioned on the both side window of the cab.

- ⚠ **Be careful that the front window may be promptly closed.**

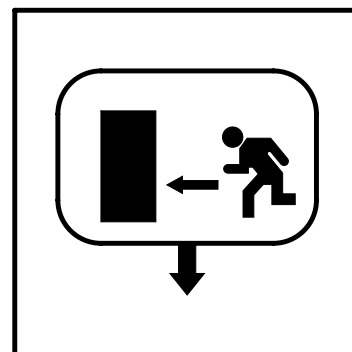


21070FW24

6) **ALTERNATE EXIT** (item 13)

This warning label is positioned on the right side window of the cab.

- ⚠ **The right side window serves us an alternate exit.**
- ⚠ **At case of emergency, use the hammer for braking the right side window of the cab.**

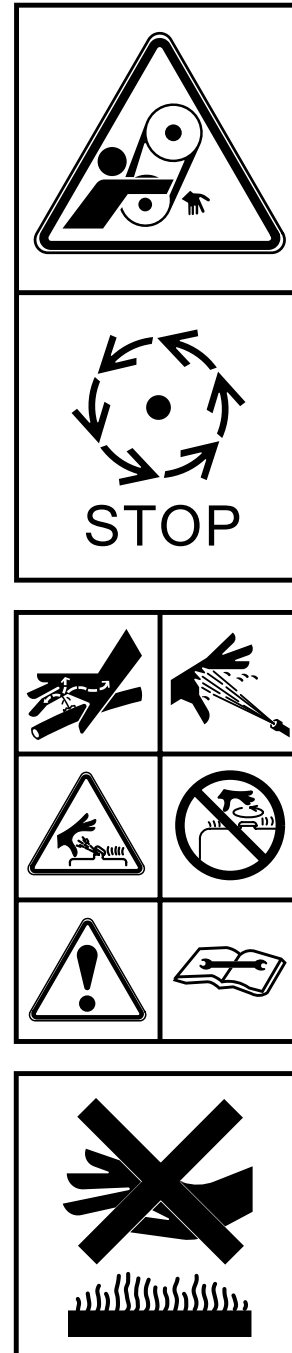


21070FW25

7) CAUTION-ENGINE ROOM (item 3)

This warning label is positioned on the side of radiator.

- ▲ Do not open the engine hood during the engine's running.
- ▲ Escaping fluid under pressure can penetrate the skin causing serious injury.
- ※ Study the service manual before service job.
- ▲ Never open the filler cap while engine running or at high coolant oil temperature.
- ▲ Study the operator's manual before starting and operating machine.
- ▲ Do not touch exhaust pipe or it may cause severe burn.

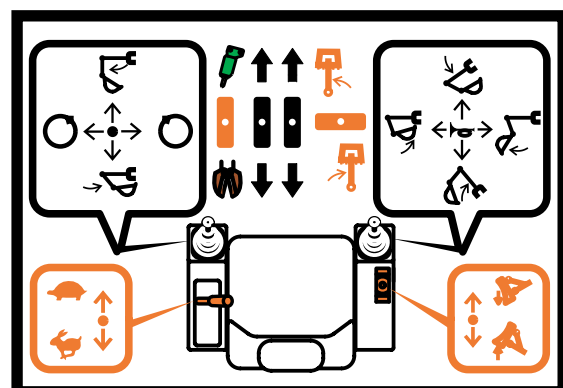


R5570FW14

8) CONTROL IDEOGRAM (item 26)

This warning label is positioned in right window of the cab.

- ▲ Check the machine control pattern for conformance to pattern on this label. If not, change label to match pattern before operating machine.
- ▲ Failure to do so could result in injury or death.
- ※ See page 4-7 for details.



R27Z90FW19

9) CABIN RH WINDOW (item 25)

This warning label is positioned on the right side window of the cab.

▲ Serious injury or death can result from contact with electric lines.

An electric shock being received by merely coming into the vicinity of an electric lines, the minimum distance should be kept considering the supply voltage as page 1-7.

▲ Serious injury or death can result from dropping bucket.

▲ Operating the machine with quick clamp switch unlocked or without safety pin of moving hook can cause the bucket to drop off.

▲ Be careful to operate machine equipped with quick clamp or extensions.

▲ Bucket may hit cab or boom, boom cylinders when it reached vicinity of them.

▲ Study the operator's manual before transporting the machine, if provided and tie down arm and track to the carrier with lashing wire.

See page 5-6 for details.

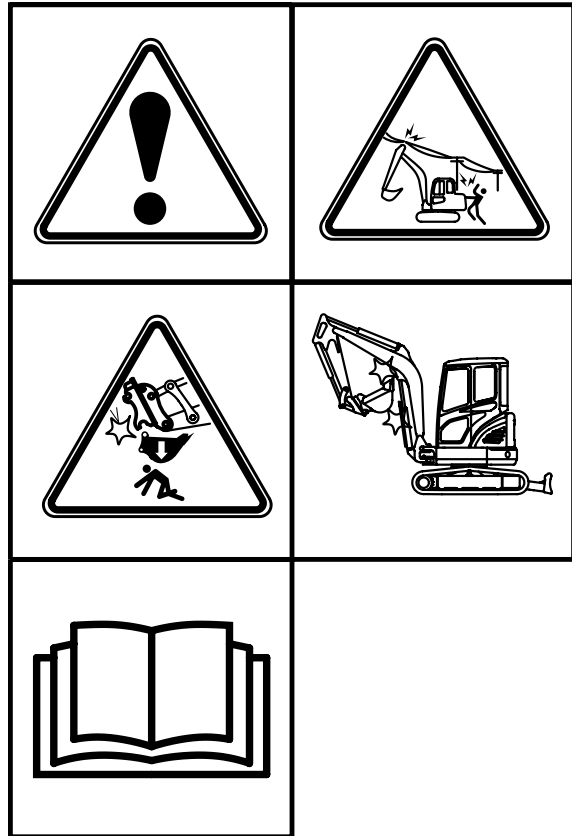
▲ Make sure wire rope is proper size and keep correct hoisting method.

See page 5-7 for details.

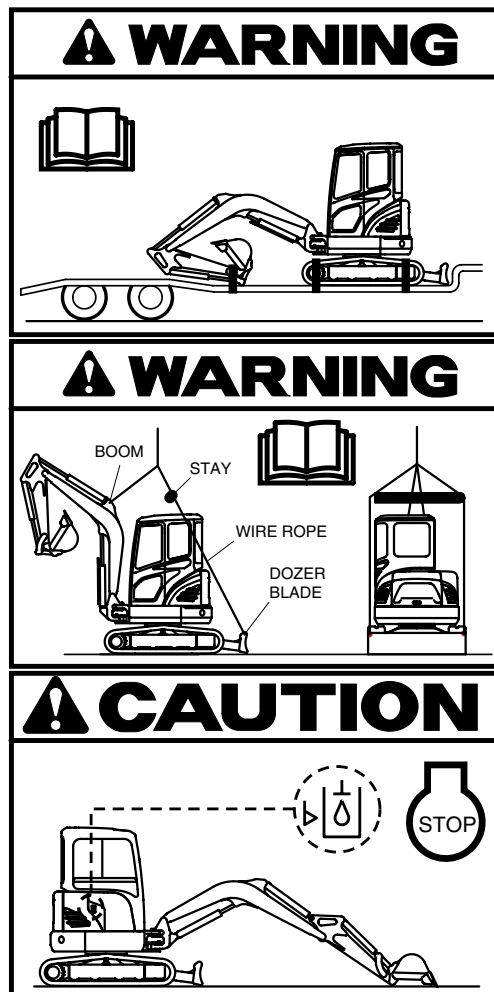
▲ Place the bucket on the ground whenever servicing the hydraulic system.

Check oil level on the level gauge.

Refill the recommended hydraulic oil up to specified level if necessary.



R35Z70FW11

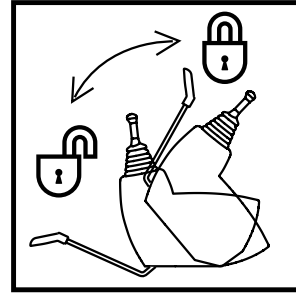


R35Z70FW10

**10) CONSOLE TILTING** (item 11)

This warning label is positioned on the LH console box.

- ※ **Before you get off the machine be sure to tilt the LH console box.**



R5570FW17

**11) HYDRAULIC OIL LUBRICATION** (item 6)

This warning label is positioned on the right side of air breather.

- ※ **Do not mix with different brand oils.**
- ▲ **Never open the filler cap while engine running or at high hydraulic oil temperature.**
- ▲ **Loosen the cap slowly and release internal pressure completely.**

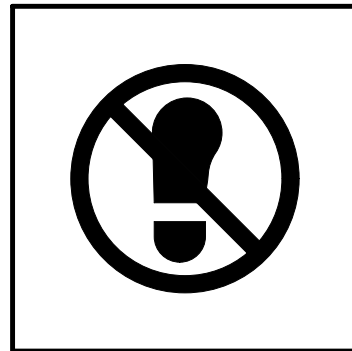


21070FW08

**12) NO STEP-ENGINE HOOD** (item 10)

This warning label is positioned on the engine hood.

- ▲ **Do not step on the engine hood.**

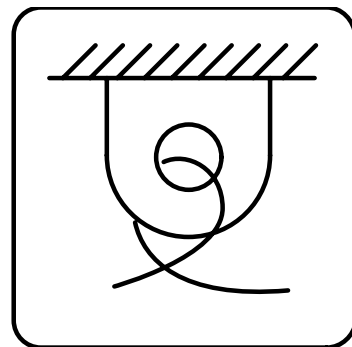


21070FW16

**13) TIE** (item 5)

This warning label is positioned on the lower frame.

- ※ **Never tow the machine using tie hole, because this may break.**
- ※ **See page 4-10 for detail.**

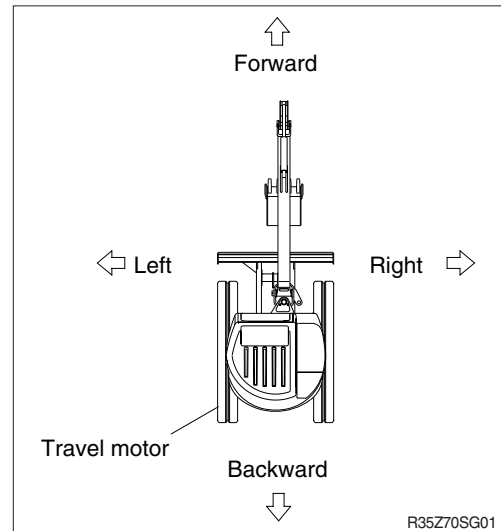


4507A0FW02

## GUIDE

### 1. DIRECTION

The direction of this manual indicate forward, backward, right and left on the standard of operator when the travel motor is in the rear and machine is on the traveling direction.

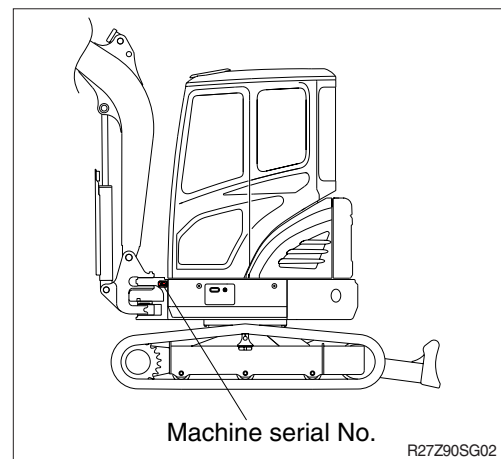


### 2. SERIAL NUMBER

Inform following when you order parts or the machine is out of order.

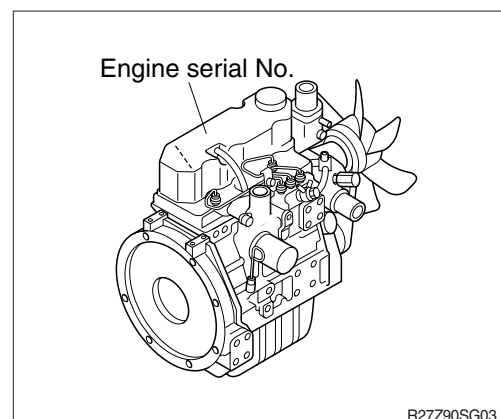
#### 1) MACHINE SERIAL NUMBER

The numbers are located below the front window of the operator's cab.



#### 2) ENGINE SERIAL NUMBER

The numbers are located on the engine name plate.



### 3. SYMBOLS

▲ Important safety hint.

△ It indicates matters which can cause the great loss on the machine or the surroundings.

※ It indicates the useful information for operator.