

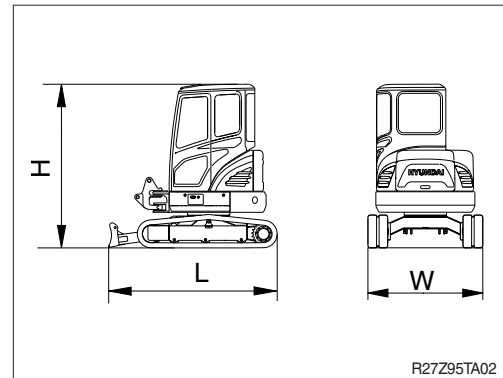
## 2. DIMENSION AND WEIGHT

### 1) ROBEX 27Z-9

#### (1) Base machine

Mark	Description	Unit	Specification
L	Length	mm (ft-in)	2470 (8' 1")
H	Height	mm (ft-in)	2500 (8' 2")
W	Width	mm (ft-in)	1550 (5' 1")
Wt	Weight	kg (lb)	2550 (8' 4")

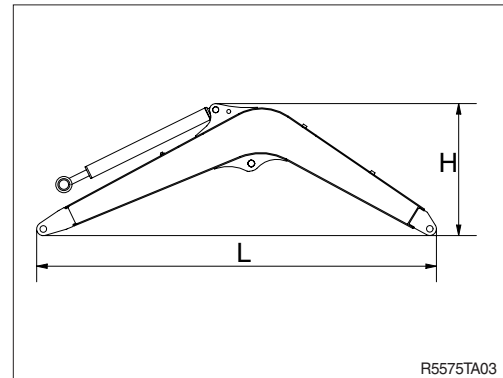
※ With 300 mm (12") triple grouser shoes and 220 kg (485 lb) counterweight.



#### (2) Boom assembly

Mark	Description	Unit	Specification
L	Length	mm (ft-in)	2120 (6' 11")
H	Height	mm (ft-in)	870 (2' 10")
W	Width	mm (ft-in)	265 (10")
Wt	Weight	kg (lb)	135 (300)

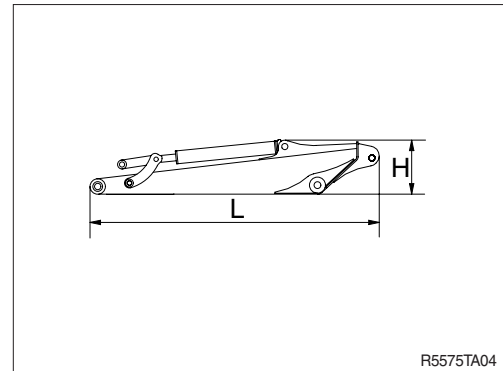
※ 2.03 m (6' 8") boom with arm cylinder (included piping and pins).



#### (3) Arm assembly

Mark	Description	Unit	Specification
L	Length	mm (ft-in)	1430 (4' 8")
H	Height	mm (ft-in)	375 (1' 3")
W	Width	mm (ft-in)	150 (6")
Wt	Weight	kg (lb)	100 (220)

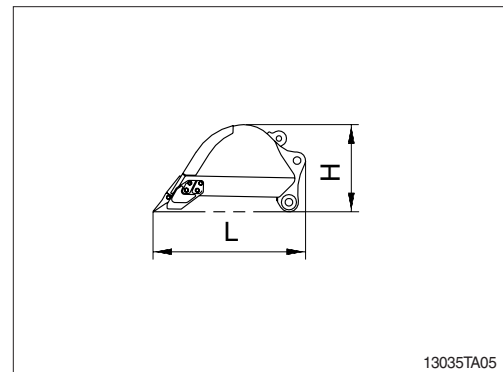
※ 1.12 m (3' 8") arm with bucket cylinder (included linkage and pins).



#### (4) Bucket assembly

Mark	Description	Unit	Specification
L	Length	mm (ft-in)	745 (2' 5")
H	Height	mm (ft-in)	450 (1' 6")
W	Width	mm (ft-in)	510 (1' 8")
Wt	Weight	kg (lb)	60 (130)

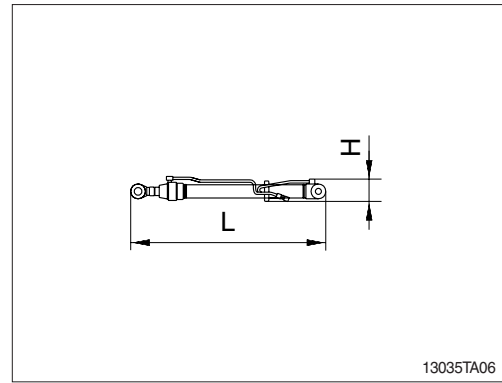
※ 0.08 m<sup>3</sup> (0.10 yd<sup>3</sup>) SAE heaped bucket (included tooth and side cutters).



**(5) Boom cylinder**

Mark	Description	Unit	Specification
L	Length	mm (ft-in)	990 (3' 3")
H	Height	mm (ft-in)	120 (5")
W	Width	mm (ft-in)	250 (10")
Wt	Weight	kg (lb)	35 (80)

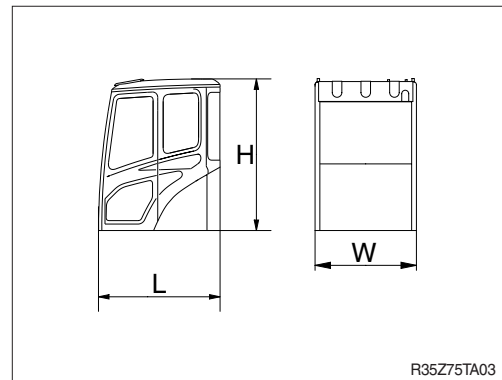
※ Included piping.



13035TA06

**(6) Cab assembly**

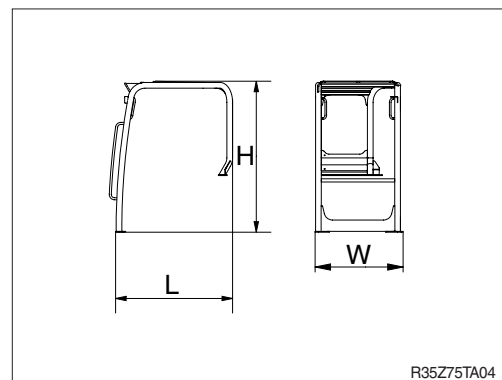
Mark	Description	Unit	Specification
L	Length	mm (ft-in)	1300 (4' 3")
H	Height	mm (ft-in)	1620 (5' 4")
W	Width	mm (ft-in)	1110 (3' 8")
Wt	Weight	kg (lb)	230 (507)



R35Z75TA03

**(7) Canopy assembly**

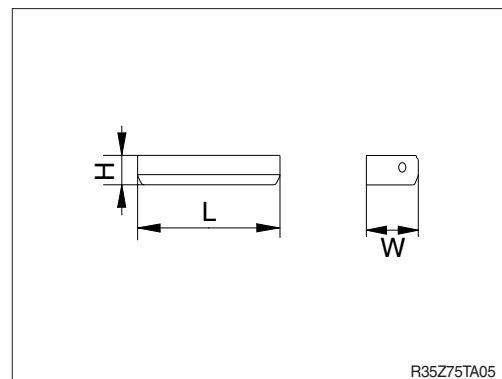
Mark	Description	Unit	Specification
L	Length	mm (ft-in)	1590 (5' 3")
H	Height	mm (ft-in)	1240 (4' 1")
W	Width	mm (ft-in)	935 (3' 1")
Wt	Weight	kg (lb)	92 (203)



R35Z75TA04

**(8) Counterweight**

Mark	Description	Unit	Specification
L	Length	mm (ft-in)	1375 (4' 6")
H	Height	mm (ft-in)	310 (1' 0")
W	Width	mm (ft-in)	470 (1' 7")
Wt	Weight	kg (lb)	220 (485)



R35Z75TA05